

THIS DRAWING IS UNPUBLISHED. RELEASED FOR PUBLICATION 20
 © COPYRIGHT 20 BY - ALL RIGHTS RESERVED.

REVISIONS				
P	LTR	DESCRIPTION	DATE	APVD
C		ECR-15-008603	24JUN2015	KG DW
CI		ECR-15-011044	19AUG2015	KG DW

BOOT
 MAT'L: EPDM RUBBER

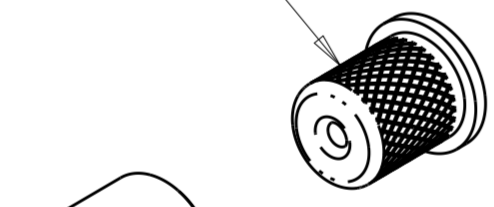
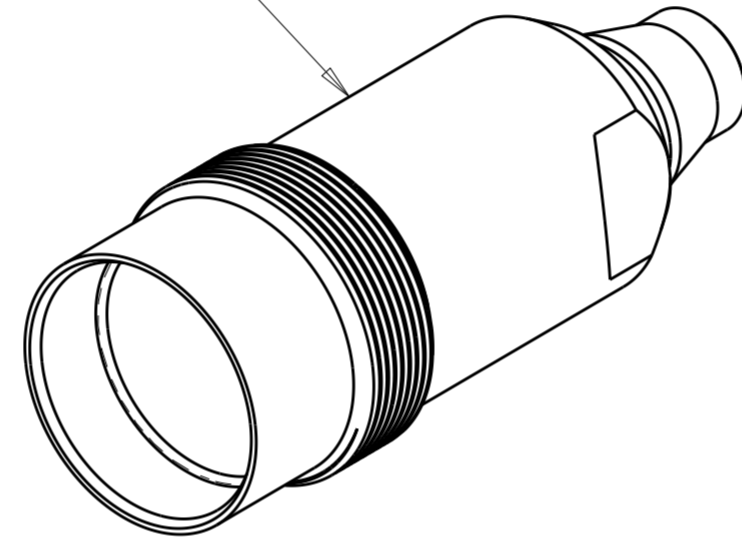
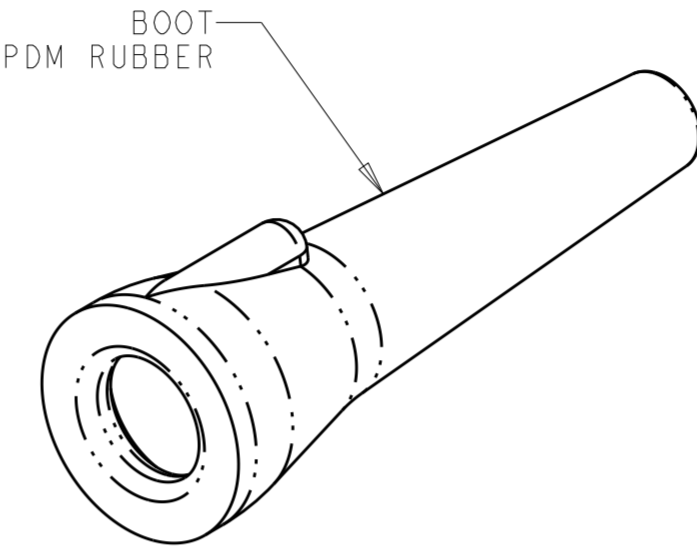
EXTENSION
 MAT'L: SEE TABLE

SEAL
 MAT'L: FLUOROSILICONE RUBBER

CRIMP SUPPORT
 MAT'L: NICKEL-SILVER ALLOY

WASHER
 MAT'L: STAINLESS STEEL

CRIMP SLEEVE
 MAT'L: NICKEL-SILVER ALLOY



SUPERSEDED BY:
 3-1918932-2
SUPERSEDED BY:
 3-1918932-1
SUPERSEDED BY:
 3-1918932-0
SUPERSEDED BY:
 2-1918932-9
SUPERSEDED BY:
 2-1918932-8
SUPERSEDED BY:
 2-1918932-7
SUPERSEDED BY:
 2-1918932-6
SUPERSEDED BY:
 2-1918932-5

MATERIAL	EXTENSION MATERIAL	MAXIMUM CABLE DIAMETER	PART NUMBER
ALUMINUM	7.5mm	3-1918932-2	
	6.7mm	3-1918932-1	
	6.0mm	3-1918932-0	
	5.5mm	2-1918932-9	
	5.0mm	2-1918932-8	
	4.2mm	2-1918932-7	
	3.6mm	2-1918932-6	
	3.2mm	2-1918932-5	
	ALUMINUM	7.5mm	2-1918932-4
6.7mm		2-1918932-3	
6.0mm		2-1918932-2	
5.5mm		2-1918932-1	
5.0mm		2-1918932-0	
4.2mm		1-1918932-9	
3.6mm		1-1918932-8	
3.2mm		1-1918932-7	
NICKEL ALUMINUM BRONZE		7.5mm	1-1918932-6
	6.7mm	1-1918932-5	
	6.0mm	1-1918932-4	
	5.5mm	1-1918932-3	
	5.0mm	1-1918932-2	
	4.2mm	1-1918932-1	
	3.6mm	1-1918932-0	
	3.2mm	1918932-9	
	ALUMINUM	7.5mm	1918932-8
6.7mm		1918932-7	
6.0mm		1918932-6	
5.5mm		1918932-5	
5.0mm		1918932-4	
4.2mm		1918932-3	
3.6mm		1918932-2	
3.2mm		1918932-1	

1. PACKAGED LOOSE PIECE.
 2. DIMENSIONS ARE FOR REFERENCE ONLY.
- FINISH: HARD ANODIZE.
 - FINISH: OLIVE DRAB ZINC.
 - FINISH: BLACK ZINC-NICKEL.

THIS DRAWING IS A CONTROLLED DOCUMENT. DIMENSIONING AND TOLERANCING PER ASME Y14.5M-2009

DWN: K. GLATFELTER 27OCT2006
 CHK: D. WERTMAN 02JUN2008
 APVD: D. WERTMAN 02JUN2008

DIMENSIONS: mm

TOLERANCES UNLESS OTHERWISE SPECIFIED:
 0 PLC ±
 1 PLC ±
 2 PLC ±
 3 PLC ±
 4 PLC ±
 ANGLES ±
 FINISH

MATERIAL AS LISTED

Customer Drawing

SCALE 2:1 SHEET 1 OF 1 REV C1

STE TE Connectivity

NAME: CABLE ADAPTER KIT, SEALED BLKHD, PRO BEAM JR.

SIZE: A2 CAGE CODE: 00779 DRAWING NO: 1918932