

HC/49US (AT49) LOW PROFILE SURFACE MOUNT MICROPROCESSOR CRYSTAL

ABLS3



11.5 x 4.8 x 2.5 mm



FEATURES:

- Suitable for reflow
- Low in height - suitable for thin equipment
- Tight stability & extended temperature

APPLICATIONS:

- Computers, Modems, Microprocessors
- Automotive and Industrial
- Wireless Applications

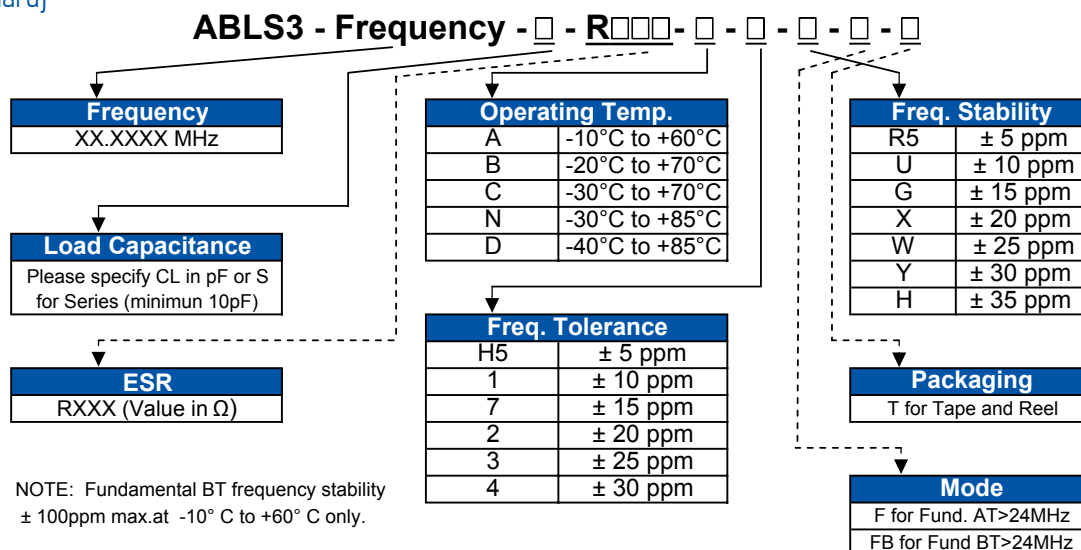
STANDARD SPECIFICATIONS:

PARAMETERS

ABRACON P/N	ABLS3 Series
Frequency	3.579545 MHz to 70 MHz
Operation Mode	AT strip (see options) 3.579545 MHz - 24.0 MHz (Fundamental) 24.01 - 50.00 MHz (Fund. AT or BT) 24.01 - 70.00 MHz (3rd - Overtone)
Operating Temperature	-0°C to + 70°C (see options)
Storage Temperature	- 55°C to + 125°C
Frequency Tolerance	± 50 ppm max. (see options)
Frequency Stability over the Operating Temp. (Ref to +25°C)	± 50 ppm max. (see options)
Equivalent Series Resistance	See Table 1
Shunt Capacitance C ₀	7pF max.
Load Capacitance C _L	18pF (see options)
Drive Level	1 mW max., 100µW typical
Aging at 25°C Per Year	± 5ppm max.
Insulation Resistance	500 MΩ min at 100Vdc ± 15V

OPTIONS & PART IDENTIFICATION:

[Left blank if standard]



HC/49US (AT49) LOW PROFILE SURFACE MOUNT MICROPROCESSOR CRYSTAL

ABLS3



RoHS
Compliant

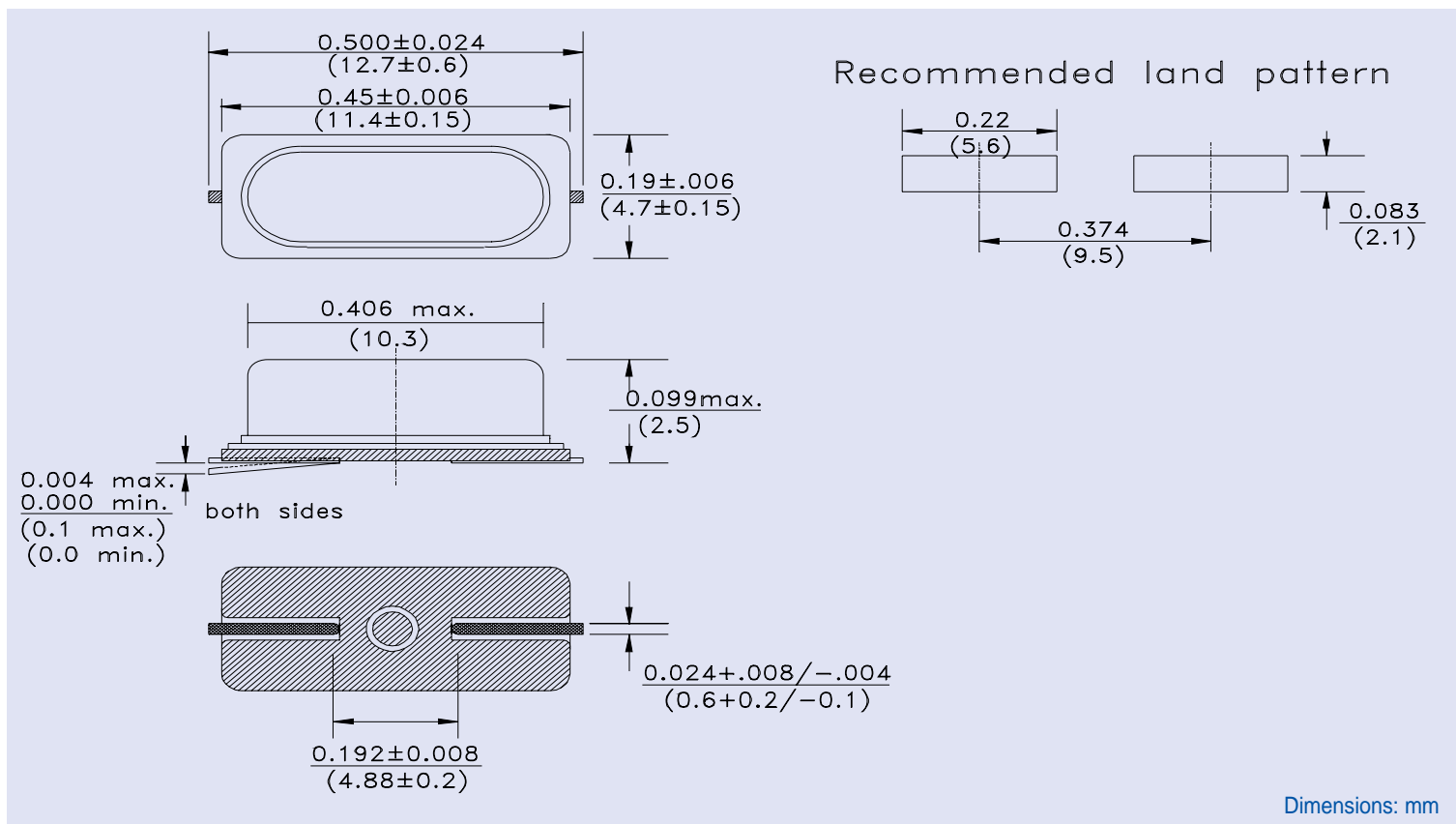


11.5 x 4.8 x 2.5 mm

TABLE 1: ESR

FREQUENCY (MHz)	ESR (Ω)
3.579 - 4.999 (Fund.)	180
5.000 - 5.999 (Fund.)	120
6.000 - 7.999 (Fund.)	100
8.000 - 8.999 (Fund.)	80
9.000 - 9.999 (Fund.)	60
10.000 - 15.999 (Fund.)	50
16.000 - 50.000 (Fund.)	40
24.01 - 31.999 (3rd O/T)	100
32.000 - 70.00 (3rd O/T)	80

OUTLINE DRAWING:



HC/49US (AT49) LOW PROFILE SURFACE MOUNT MICROPROCESSOR CRYSTAL

ABLS3



RoHS
Compliant



11.5 x 4.8 x 2.5 mm

TAPE & REEL:

