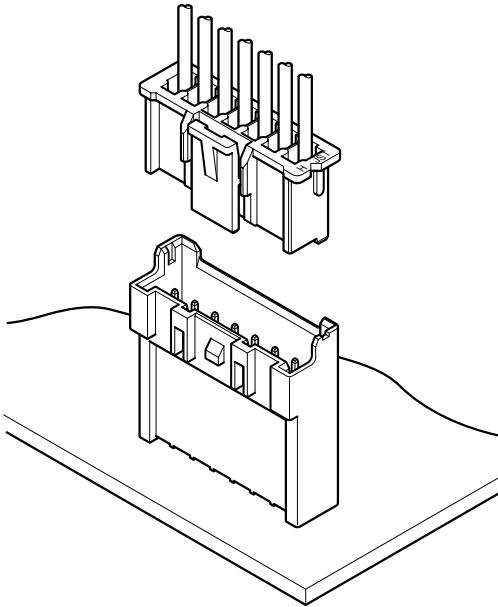


XA CONNECTOR (High box type)



2.5mm pitch/Disconnectable Crimp style connectors



XA connector high box type, with 19.5mm mounting height and with 6.9mm thickness.

- Header for 2.5mm pitch XA connector for use specifically with resin coated ("potted") PC boards
- Interchangeability

Specifications

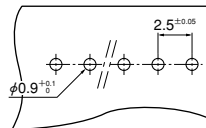
- Current rating: 3A AC, DC (AWG #22)
- Voltage rating: 250V AC, DC
- Temperature range: -25°C to +85°C
(including temperature rise in applying electrical current)
- Contact resistance: Initial value/10m Ω max.
After environmental testing/20m Ω max.
- Insulation resistance: 1,000M Ω min.
- Withstanding voltage: 1,000V AC/minute
- Applicable wire: AWG #28 to #22
- Applicable PC board thickness: 1.6mm
- * Compliant with RoHS.
- * Refer to "General Instruction and Notice when using Terminals and Connectors" at the end of this catalog.
- * Contact JST for details.

Standards

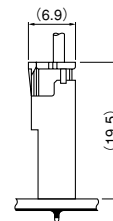
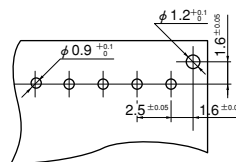
- Recognized E60389
- Certified LR20812
- R9851220

PC board layout (viewed from component side) and Assembly layout

Without a boss



With a boss

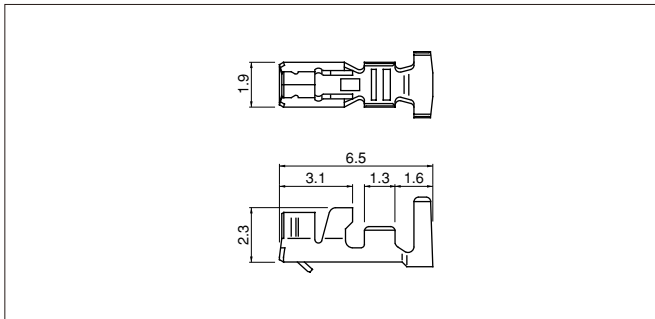


Note:1. Tolerances are non-cumulative: $\pm 0.05\text{mm}$ for all centers.

2. Hole dimensions differ according to the kind of PC board and piercing method. The dimensions above should serve as a guideline. Contact JST for details.

XA CONNECTOR (High box type)

Contact



| Model No. | Applicable wire | | | Qty / reel |
|----------------------|-----------------|-------|----------------------|------------|
| | mm ² | AWG# | Insulation O.D. (mm) | |
| SXA-001T-P0.6 | 0.08~0.33 | 28~22 | 0.8~1.9 | 8,000 |

Material and Finish

Phosphor bronze, tin-plated (reflow treatment)

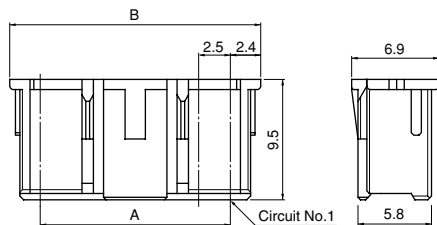
RoHS compliance

| Contact | Crimping machine | Applicator | | |
|----------------------|------------------|------------------|-----------------|----------------------------|
| | | Crimp applicator | Dies | Crimp applicator with dies |
| SXA-001T-P0.6 | AP-K2N | MKS-L | MK/SXA/M-001-06 | APLMK SXA/M001-06 |
| | | *MKS-SC | SC/SXA/M-001-06 | APLSC SXA/M001-06 |

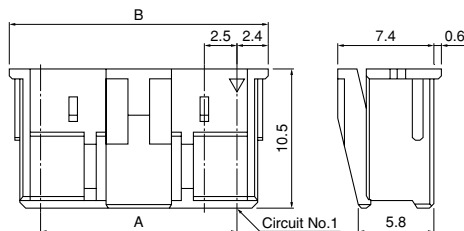
Note: *Strip-crimp applicator

Housing

Standard type



Retainer mountable type



| Circuits | Model No. | | Dimensions (mm) | | Q'ty / bag | |
|----------|------------------|-------------------------|-----------------|------|---------------|-------------------------|
| | Standard type | Retainer mountable type | A | B | Standard type | Retainer mountable type |
| 2 | XAP-02V-1 | XARP-02V | 2.5 | 7.3 | 1,000 | 1,000 |
| 3 | XAP-03V-1 | XARP-03V | 5.0 | 9.8 | 1,000 | 1,000 |
| 4 | XAP-04V-1 | XARP-04V | 7.5 | 12.3 | 1,000 | 1,000 |
| 5 | XAP-05V-1 | XARP-05V | 10.0 | 14.8 | 1,000 | 1,000 |
| 6 | XAP-06V-1 | XARP-06V | 12.5 | 17.3 | 1,000 | 1,000 |
| 7 | XAP-07V-1 | XARP-07V | 15.0 | 19.8 | 1,000 | 1,000 |
| 8 | XAP-08V-1 | XARP-08V | 17.5 | 22.3 | 1,000 | 1,000 |
| 9 | XAP-09V-1 | XARP-09V | 20.0 | 24.8 | 1,000 | 1,000 |
| 10 | XAP-10V-1 | XARP-10V | 22.5 | 27.3 | 1,000 | 1,000 |
| 11 | XAP-11V-1 | XARP-11V | 25.0 | 29.8 | 1,000 | 1,000 |
| 12 | XAP-12V-1 | XARP-12V | 27.5 | 32.3 | 1,000 | 1,000 |
| 13 | XAP-13V-1 | XARP-13V | 30.0 | 34.8 | 1,000 | 1,000 |
| 14 | XAP-14V-1 | XARP-14V | 32.5 | 37.3 | 500 | 1,000 |
| 15 | XAP-15V-1 | XARP-15V | 35.0 | 39.8 | 500 | 1,000 |

Material

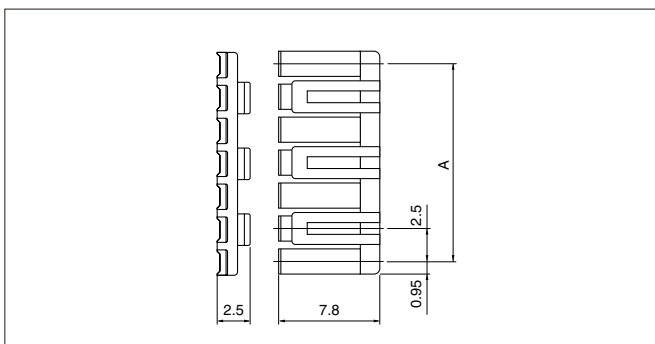
PA 66, UL94V-0, natural (white)

RoHS compliance

<For reference> As the color identification, the following alphabet shall be put in the underlined part.
For availability, delivery and minimum order quantity, contact JST.

ex. **XAP-02V-1-oo**
(blank)...natural (white)
K...black R...red E...blue M...green Y...yellow

Retainer



Material

Glass-filled PA 66, UL94V-0, natural (ivory)

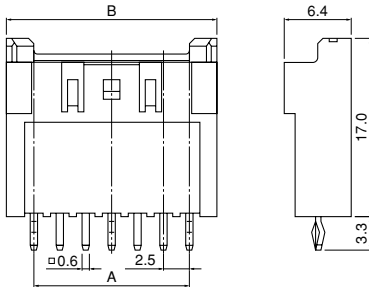
RoHS compliance

| Circuits | Model No. | A | Q'ty / bag |
|----------|----------------|------|------------|
| 2 | XMS-02V | 2.5 | 1,000 |
| 3 | XMS-03V | 5.0 | 1,000 |
| 4 | XMS-04V | 7.5 | 1,000 |
| 5 | XMS-05V | 10.0 | 1,000 |
| 6 | XMS-06V | 12.5 | 1,000 |
| 7 | XMS-07V | 15.0 | 1,000 |
| 8 | XMS-08V | 17.5 | 1,000 |
| 9 | XMS-09V | 20.0 | 1,000 |
| 10 | XMS-10V | 22.5 | 1,000 |
| 11 | XMS-11V | 25.0 | 1,000 |
| 12 | XMS-12V | 27.5 | 1,000 |
| 13 | XMS-13V | 30.0 | 1,000 |
| 14 | XMS-14V | 32.5 | 1,000 |
| 15 | XMS-15V | 35.0 | 1,000 |

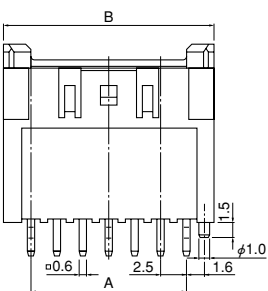
XA CONNECTOR (High box type)

Shrouded header

Without a boss



With a boss



| Circuits | Model No. | | Dimensions (mm) | | Q'ty / box |
|----------|----------------|-------------|-----------------|------|------------|
| | Without a boss | With a boss | A | B | |
| 2 | BH02B-XASK-BN | BH02B-XASK | 2.5 | 7.5 | 400 |
| 3 | BH03B-XASK-BN | BH03B-XASK | 5.0 | 10.0 | 400 |
| 4 | BH04B-XASK-BN | BH04B-XASK | 7.5 | 12.5 | 300 |
| 5 | BH05B-XASK-BN | BH05B-XASK | 10.0 | 15.0 | 300 |
| 6 | BH06B-XASK-BN | BH06B-XASK | 12.5 | 17.5 | 200 |
| 7 | BH07B-XASK-BN | BH07B-XASK | 15.0 | 20.0 | 200 |
| 8 | BH08B-XASK-BN | BH08B-XASK | 17.5 | 22.5 | 200 |
| 9 | BH09B-XASK-BN | BH09B-XASK | 20.0 | 25.0 | 150 |
| 10 | BH10B-XASK-BN | BH10B-XASK | 22.5 | 27.5 | 150 |
| 11 | BH11B-XASK-BN | BH11B-XASK | 25.0 | 30.0 | 100 |
| 12 | BH12B-XASK-BN | BH12B-XASK | 27.5 | 32.5 | 100 |
| 13 | BH13B-XASK-BN | BH13B-XASK | 30.0 | 35.0 | 100 |
| 14 | BH14B-XASK-BN | BH14B-XASK | 32.5 | 37.5 | 100 |
| 15 | BH15B-XASK-BN | BH15B-XASK | 35.0 | 40.0 | 100 |

Material and Finish

Post: Copper alloy, copper-undercoated, tin-plated (reflow treatment)
Wafer: Glass-filled PA 66, UL94V-0, natural (ivory)

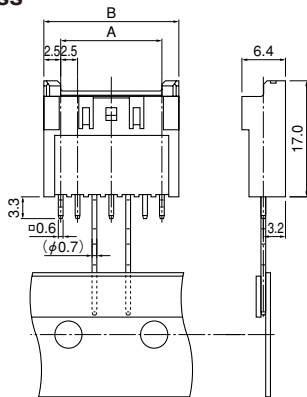
RoHS compliance This product displays (LF)(SN) on a label.

<For reference> As the color identification, the following alphabet shall be put in the underlined part.
For availability, delivery and minimum order quantity, contact JST.

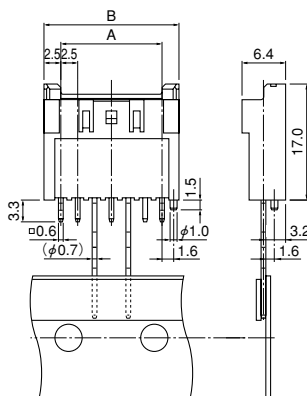
ex. **BH02B-XASK-BN**
S...natural (ivory)
K...black R...red M...green Y...yellow

Shrouded header on radial-tape

Without a boss



With a boss



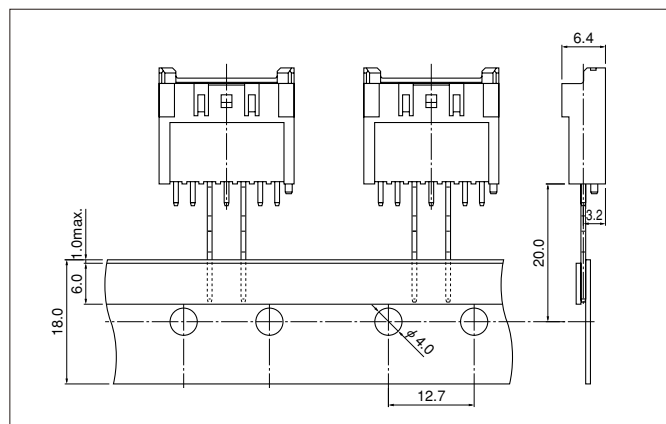
| Circuits | Model No. | | Dimensions (mm) | | Q'ty / box |
|----------|-----------------|--------------|-----------------|------|------------|
| | Without a boss | With a boss | A | B | |
| 2 | BH02B-XASS-BN-T | BH02B-XASS-T | 2.5 | 7.5 | 1,000 |
| 3 | BH03B-XASS-BN-T | BH03B-XASS-T | 5.0 | 10.0 | 1,000 |
| 4 | BH04B-XASS-BN-T | BH04B-XASS-T | 7.5 | 12.5 | 500 |
| 5 | BH05B-XASS-BN-T | BH05B-XASS-T | 10.0 | 15.0 | 500 |
| 6 | BH06B-XASS-BN-T | BH06B-XASS-T | 12.5 | 17.5 | 500 |
| 7 | BH07B-XASS-BN-T | BH07B-XASS-T | 15.0 | 20.0 | 500 |
| 8 | BH08B-XASS-BN-T | BH08B-XASS-T | 17.5 | 22.5 | 500 |

Material and Finish

Post: Copper alloy, copper-undercoated, tin-plated (reflow treatment)
Wafer: Glass-filled PA 66, UL94V-0, natural (ivory)

RoHS compliance This product displays (LF)(SN) on a label.

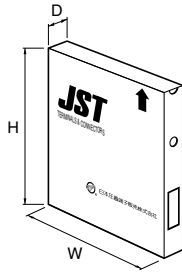
Taping specifications



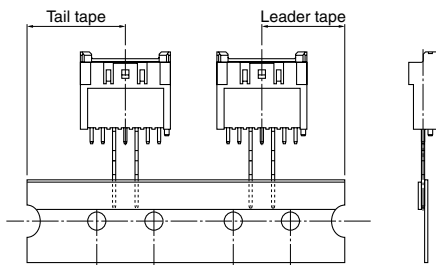
Note: Conforms to JIC C 0806 of "Tape packaging of components with unidirectional leads on continuous tapes".

XA CONNECTOR (High box type)

Packaging specifications



Distance between the end of the tape and the first connector's center line (either end)



| | | |
|-----------------------------------------------------------------------------------------|--------------------------------------|------------------|
| Package type | Flat pack (zigzag folded) | |
| Distance between folds | 24 indexing holes per fold (304.8mm) | |
| Box size | 314(W)×54(D)×314(H)mm | |
| Distance between the end of the tape and the first connector's center line (either end) | 19.05mm | |
| Quantity | 2, 3 circuits | 1,000 pcs. / box |
| | 4~8 circuits | 500 pcs. / box |

Note: Products of different packaging specifications are also available. Contact JST for details.