



LOW CURRENT CONSUMPTION BOTH POLES / UNIPOLAR DETECTION TYPE HALL IC

www.sii-ic.com

© SII Semiconductor Corporation, 2011-2015

Rev.1.6_01

The S-5716 Series, developed by CMOS technology, is a high-accuracy Hall IC that operates with low current consumption. The output voltage changes when the S-5716 Series detects the intensity level of magnetic flux density. Using the S-5716 Series with a magnet makes it possible to detect the open / close in various devices.

High-density mounting is possible by using the small SOT-23-3 package or the super small SNT-4A package.

Due to its high-accuracy magnetic characteristics, the S-5716 Series can make operation's dispersion in the system combined with magnet smaller.

Caution This product is intended to use in general electronic devices such as consumer electronics, office equipment, and communications devices. Before using the product in medical equipment or automobile equipment including car audio, keyless entry and engine control unit, contact to SII Semiconductor Corporation is indispensable.

■ Features

- Pole detection*1: Detection of both poles, S pole or N pole
- Detection logic for magnetism*1: Active "L", active "H"
- Output form*1: Nch open-drain output, CMOS output
- Magnetic sensitivity*1:
 - B_{OP} = 1.8 mT typ.
 - B_{OP} = 3.0 mT typ.
 - B_{OP} = 3.4 mT typ.
 - B_{OP} = 4.5 mT typ.
 - B_{OP} = 7.0 mT typ.
- Operating cycle (current consumption):
 - Product with both poles detection
 - t_{CYCLE} = 50.50 ms (I_{DD} = 4.0 μA) typ.
 - Product with S pole or N pole detection
 - t_{CYCLE} = 50.85 ms (I_{DD} = 2.6 μA) typ.
- Power supply voltage range: V_{DD} = 2.7 V to 5.5 V
- Operation temperature range: Ta = -40°C to +85°C
- Lead-free (Sn 100%), halogen-free

*1. The option can be selected.

■ Applications

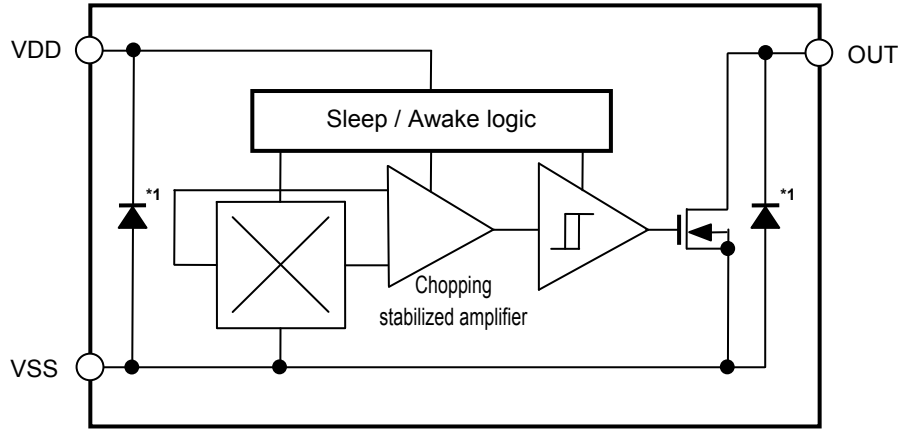
- Plaything, portable game
- Home appliance
- Housing equipment
- Industrial equipment

■ Packages

- SOT-23-3
- SNT-4A

■ Block Diagrams

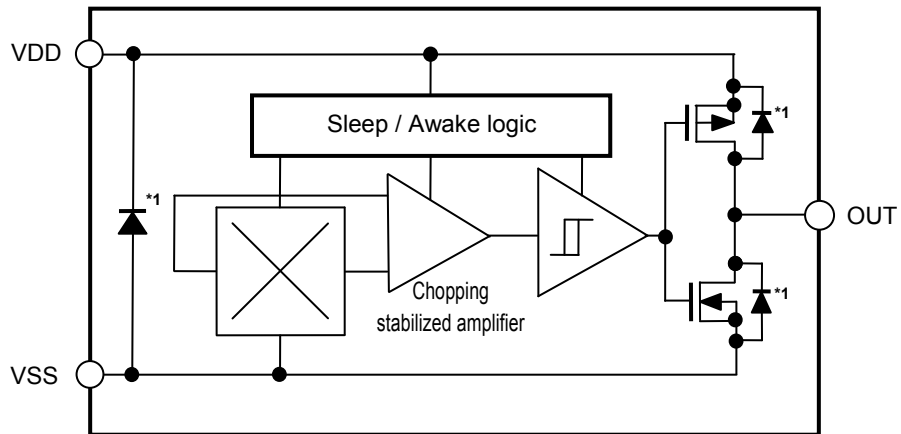
1. Nch open-drain output product



*1. Parasitic diode

Figure 1

2. CMOS output product

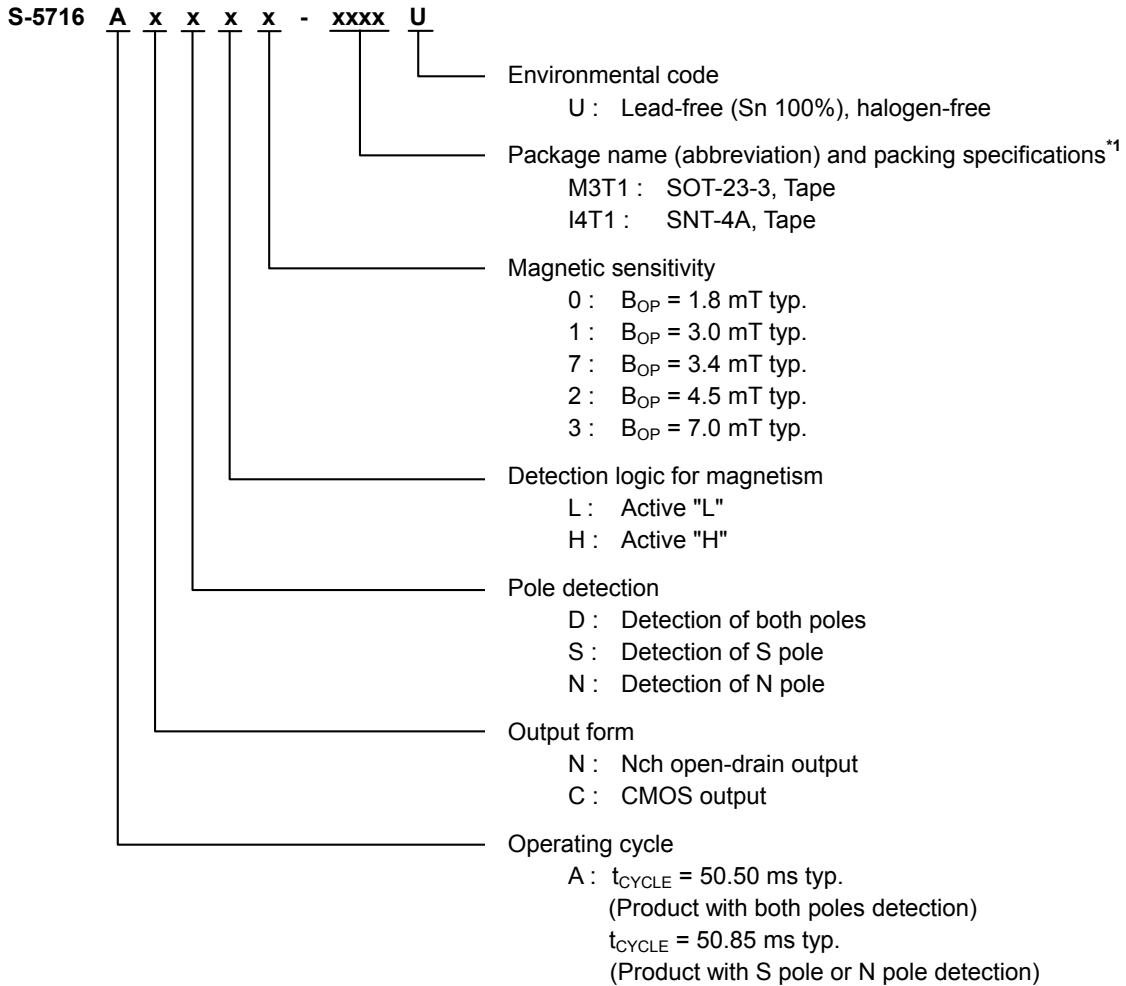


*1. Parasitic diode

Figure 2

■ Product Name Structure

1. Product name



*1. Refer to the tape drawing.

2. Packages

Table 1 Package Drawing Codes

Package name	Dimension	Tape	Reel	Land
SOT-23-3	MP003-C-P-SD	MP003-C-C-SD	MP003-Z-R-SD	-
SNT-4A	PF004-A-P-SD	PF004-A-C-SD	PF004-A-R-SD	PF004-A-L-SD

3. Product name list

3.1 SOT-23-3

3.1.1 Nch open-drain output product

Table 2

Product Name	Operating Cycle (t _{CYCLE})	Output Form	Pole Detection	Detection Logic for Magnetism	Magnetic Sensitivity (B _{OP})
S-5716ANDL0-M3T1U	50.50 ms typ.	Nch open-drain output	Both poles	Active "L"	1.8 mT typ.
S-5716ANDL1-M3T1U	50.50 ms typ.	Nch open-drain output	Both poles	Active "L"	3.0 mT typ.
S-5716ANDL2-M3T1U	50.50 ms typ.	Nch open-drain output	Both poles	Active "L"	4.5 mT typ.
S-5716ANDL3-M3T1U	50.50 ms typ.	Nch open-drain output	Both poles	Active "L"	7.0 mT typ.
S-5716ANSL0-M3T1U	50.85 ms typ.	Nch open-drain output	S pole	Active "L"	1.8 mT typ.
S-5716ANSL1-M3T1U	50.85 ms typ.	Nch open-drain output	S pole	Active "L"	3.0 mT typ.
S-5716ANSL2-M3T1U	50.85 ms typ.	Nch open-drain output	S pole	Active "L"	4.5 mT typ.
S-5716ANSL3-M3T1U	50.85 ms typ.	Nch open-drain output	S pole	Active "L"	7.0 mT typ.

Remark Please contact our sales office for products other than the above.

3.1.2 CMOS output product

Table 3

Product Name	Operating Cycle (t _{CYCLE})	Output Form	Pole Detection	Detection Logic for Magnetism	Magnetic Sensitivity (B _{OP})
S-5716ACDL0-M3T1U	50.50 ms typ.	CMOS output	Both poles	Active "L"	1.8 mT typ.
S-5716ACDL1-M3T1U	50.50 ms typ.	CMOS output	Both poles	Active "L"	3.0 mT typ.
S-5716ACDL7-M3T1U	50.50 ms typ.	CMOS output	Both poles	Active "L"	3.4 mT typ.
S-5716ACDL2-M3T1U	50.50 ms typ.	CMOS output	Both poles	Active "L"	4.5 mT typ.
S-5716ACDL3-M3T1U	50.50 ms typ.	CMOS output	Both poles	Active "L"	7.0 mT typ.
S-5716ACDH0-M3T1U	50.50 ms typ.	CMOS output	Both poles	Active "H"	1.8 mT typ.
S-5716ACDH1-M3T1U	50.50 ms typ.	CMOS output	Both poles	Active "H"	3.0 mT typ.
S-5716ACDH2-M3T1U	50.50 ms typ.	CMOS output	Both poles	Active "H"	4.5 mT typ.
S-5716ACSL0-M3T1U	50.85 ms typ.	CMOS output	S pole	Active "L"	1.8 mT typ.
S-5716ACSL1-M3T1U	50.85 ms typ.	CMOS output	S pole	Active "L"	3.0 mT typ.
S-5716ACSL2-M3T1U	50.85 ms typ.	CMOS output	S pole	Active "L"	4.5 mT typ.

Remark Please contact our sales office for products other than the above.

3.2 SNT-4A

3.2.1 Nch open-drain output product

Table 4

Product Name	Operating Cycle (t _{CYCLE})	Output Form	Pole Detection	Detection Logic for Magnetism	Magnetic Sensitivity (B _{OP})
S-5716ANDL0-I4T1U	50.50 ms typ.	Nch open-drain output	Both poles	Active "L"	1.8 mT typ.
S-5716ANDL1-I4T1U	50.50 ms typ.	Nch open-drain output	Both poles	Active "L"	3.0 mT typ.
S-5716ANDL2-I4T1U	50.50 ms typ.	Nch open-drain output	Both poles	Active "L"	4.5 mT typ.
S-5716ANSLO-I4T1U	50.85 ms typ.	Nch open-drain output	S pole	Active "L"	1.8 mT typ.
S-5716ANSLS1-I4T1U	50.85 ms typ.	Nch open-drain output	S pole	Active "L"	3.0 mT typ.
S-5716ANSLS2-I4T1U	50.85 ms typ.	Nch open-drain output	S pole	Active "L"	4.5 mT typ.
S-5716ANSLS3-I4T1U	50.85 ms typ.	Nch open-drain output	S pole	Active "L"	7.0 mT typ.

Remark Please contact our sales office for products other than the above.

3.2.2 CMOS output product

Table 5

Product Name	Operating Cycle (t _{CYCLE})	Output Form	Pole Detection	Detection Logic for Magnetism	Magnetic Sensitivity (B _{OP})
S-5716ACDL0-I4T1U	50.50 ms typ.	CMOS output	Both poles	Active "L"	1.8 mT typ.
S-5716ACDL1-I4T1U	50.50 ms typ.	CMOS output	Both poles	Active "L"	3.0 mT typ.
S-5716ACDL2-I4T1U	50.50 ms typ.	CMOS output	Both poles	Active "L"	4.5 mT typ.
S-5716ACDH0-I4T1U	50.50 ms typ.	CMOS output	Both poles	Active "H"	1.8 mT typ.
S-5716ACDH1-I4T1U	50.50 ms typ.	CMOS output	Both poles	Active "H"	3.0 mT typ.
S-5716ACDH2-I4T1U	50.50 ms typ.	CMOS output	Both poles	Active "H"	4.5 mT typ.
S-5716ACSL0-I4T1U	50.85 ms typ.	CMOS output	S pole	Active "L"	1.8 mT typ.
S-5716ACSL1-I4T1U	50.85 ms typ.	CMOS output	S pole	Active "L"	3.0 mT typ.
S-5716ACSL2-I4T1U	50.85 ms typ.	CMOS output	S pole	Active "L"	4.5 mT typ.
S-5716ACSH0-I4T1U	50.85 ms typ.	CMOS output	S pole	Active "H"	1.8 mT typ.

Remark Please contact our sales office for products other than the above.

■ Pin Configurations

1. SOT-23-3

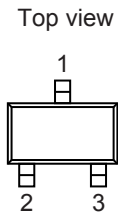


Figure 3

Table 6

Pin No.	Symbol	Description
1	VSS	GND pin
2	VDD	Power supply pin
3	OUT	Output pin

2. SNT-4A

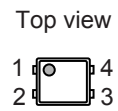


Figure 4

Table 7

Pin No.	Symbol	Description
1	VDD	Power supply pin
2	VSS	GND pin
3	NC*1	No connection
4	OUT	Output pin

*1. The NC pin is electrically open.
 The NC pin can be connected to the VDD pin or the VSS pin.

■ Absolute Maximum Ratings

Table 8

(Ta = +25°C unless otherwise specified)

Item	Symbol	Absolute Maximum Rating	Unit
Power supply voltage	V _{DD}	V _{SS} - 0.3 to V _{SS} + 7.0	V
Output current	I _{OUT}	±2.0	mA
Output voltage	Nch open-drain output product	V _{SS} - 0.3 to V _{SS} + 7.0	V
	CMOS output product	V _{SS} - 0.3 to V _{DD} + 0.3	V
Power dissipation	SOT-23-3	430*1	mW
	SNT-4A	300*1	mW
Operation ambient temperature	T _{opr}	-40 to +85	°C
Storage temperature	T _{stg}	-40 to +125	°C

*1. When mounted on board
 [Mounted board]

- (1) Board size: 114.3 mm × 76.2 mm × t1.6 mm
- (2) Name: JEDEC STANDARD51-7

Caution The absolute maximum ratings are rated values exceeding which the product could suffer physical damage. These values must therefore not be exceeded under any conditions.

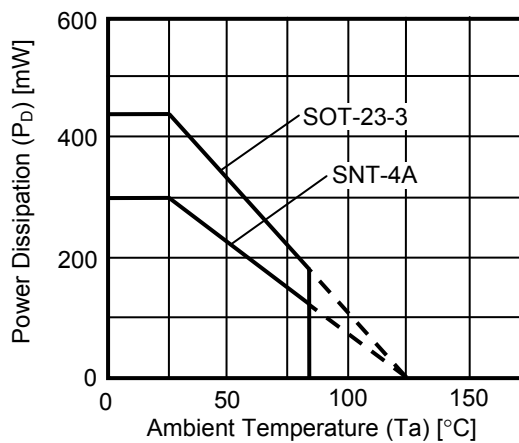


Figure 5 Power Dissipation of Package (When Mounted on Board)

■ Electrical Characteristics

1. Product with both poles detection

1.1 S-5716AxDxx

Table 9

(Ta = +25°C, V_{DD} = 5.0 V, V_{SS} = 0 V unless otherwise specified)

Item	Symbol	Condition	Min.	Typ.	Max.	Unit	Test Circuit	
Power supply voltage	V _{DD}	–	2.7	5.0	5.5	V	–	
Current consumption	I _{DD}	Average value	–	4.0	8.0	μA	1	
Output voltage	V _{OUT}	Nch open-drain output product	Output transistor Nch, I _{OUT} = 2 mA	–	–	0.4	V	2
		CMOS output product	Output transistor Nch, I _{OUT} = 2 mA	–	–	0.4	V	2
			Output transistor Pch, I _{OUT} = –2 mA	V _{DD} – 0.4	–	–	V	3
Leakage current	I _{LEAK}	Nch open-drain output product Output transistor Nch, V _{OUT} = 5.5 V	–	–	1	μA	4	
Awake mode time	t _{AW}	–	–	0.10	–	ms	–	
Sleep mode time	t _{SL}	–	–	50.40	–	ms	–	
Operating cycle	t _{CYCLE}	t _{AW} + t _{SL}	–	50.50	100.00	ms	–	

2. Product with S pole or N pole detection

2.1 S-5716AxSxx, S-5716AxNxx

Table 10

(Ta = +25°C, V_{DD} = 5.0 V, V_{SS} = 0 V unless otherwise specified)

Item	Symbol	Condition	Min.	Typ.	Max.	Unit	Test Circuit	
Power supply voltage	V _{DD}	–	2.7	5.0	5.5	V	–	
Current consumption	I _{DD}	Average value	–	2.6	5.0	μA	1	
Output voltage	V _{OUT}	Nch open-drain output product	Output transistor Nch, I _{OUT} = 2 mA	–	–	0.4	V	2
		CMOS output product	Output transistor Nch, I _{OUT} = 2 mA	–	–	0.4	V	2
			Output transistor Pch, I _{OUT} = –2 mA	V _{DD} – 0.4	–	–	V	3
Leakage current	I _{LEAK}	Nch open-drain output product Output transistor Nch, V _{OUT} = 5.5 V	–	–	1	μA	4	
Awake mode time	t _{AW}	–	–	0.05	–	ms	–	
Sleep mode time	t _{SL}	–	–	50.80	–	ms	–	
Operating cycle	t _{CYCLE}	t _{AW} + t _{SL}	–	50.85	100.00	ms	–	

■ Magnetic Characteristics

1. Product with both poles detection

1.1 Product with $B_{OP} = 1.8 \text{ mT typ.}$

Table 11

($T_a = +25^\circ\text{C}$, $V_{DD} = 5.0 \text{ V}$, $V_{SS} = 0 \text{ V}$ unless otherwise specified)

Item	Symbol	Condition	Min.	Typ.	Max.	Unit	Test Circuit	
Operation point*1	S pole	B_{OPS}	–	0.9	1.8	2.7	mT	5
	N pole	B_{OPN}	–	–2.7	–1.8	–0.9	mT	5
Release point*2	S pole	B_{RPS}	–	0.3	1.2	2.2	mT	5
	N pole	B_{RPN}	–	–2.2	–1.2	–0.3	mT	5
Hysteresis width*3	S pole	B_{HYSS}	$B_{HYSS} = B_{OPS} - B_{RPS}$	–	0.6	–	mT	5
	N pole	B_{HYSN}	$B_{HYSN} = B_{OPN} - B_{RPN} $	–	0.6	–	mT	5

1.2 Product with $B_{OP} = 3.0 \text{ mT typ.}$

Table 12

($T_a = +25^\circ\text{C}$, $V_{DD} = 5.0 \text{ V}$, $V_{SS} = 0 \text{ V}$ unless otherwise specified)

Item	Symbol	Condition	Min.	Typ.	Max.	Unit	Test Circuit	
Operation point*1	S pole	B_{OPS}	–	1.4	3.0	4.0	mT	5
	N pole	B_{OPN}	–	–4.0	–3.0	–1.4	mT	5
Release point*2	S pole	B_{RPS}	–	1.1	2.2	3.7	mT	5
	N pole	B_{RPN}	–	–3.7	–2.2	–1.1	mT	5
Hysteresis width*3	S pole	B_{HYSS}	$B_{HYSS} = B_{OPS} - B_{RPS}$	–	0.8	–	mT	5
	N pole	B_{HYSN}	$B_{HYSN} = B_{OPN} - B_{RPN} $	–	0.8	–	mT	5

1.3 Product with $B_{OP} = 3.4 \text{ mT typ.}$

Table 13

($T_a = +25^\circ\text{C}$, $V_{DD} = 5.0 \text{ V}$, $V_{SS} = 0 \text{ V}$ unless otherwise specified)

Item	Symbol	Condition	Min.	Typ.	Max.	Unit	Test Circuit	
Operation point*1	S pole	B_{OPS}	–	2.0	3.4	5.6	mT	5
	N pole	B_{OPN}	–	–5.6	–3.4	–2.0	mT	5
Release point*2	S pole	B_{RPS}	–	1.5	2.6	4.2	mT	5
	N pole	B_{RPN}	–	–4.2	–2.6	–1.5	mT	5
Hysteresis width*3	S pole	B_{HYSS}	$B_{HYSS} = B_{OPS} - B_{RPS}$	–	0.8	–	mT	5
	N pole	B_{HYSN}	$B_{HYSN} = B_{OPN} - B_{RPN} $	–	0.8	–	mT	5

1.4 Product with $B_{OP} = 4.5 \text{ mT typ.}$

Table 14

($T_a = +25^\circ\text{C}$, $V_{DD} = 5.0 \text{ V}$, $V_{SS} = 0 \text{ V}$ unless otherwise specified)

Item	Symbol	Condition	Min.	Typ.	Max.	Unit	Test Circuit	
Operation point*1	S pole	B_{OPS}	–	2.5	4.5	6.0	mT	5
	N pole	B_{OPN}	–	–6.0	–4.5	–2.5	mT	5
Release point*2	S pole	B_{RPS}	–	2.0	3.5	5.5	mT	5
	N pole	B_{RPN}	–	–5.5	–3.5	–2.0	mT	5
Hysteresis width*3	S pole	B_{HYSS}	$B_{HYSS} = B_{OPS} - B_{RPS}$	–	1.0	–	mT	5
	N pole	B_{HYSN}	$B_{HYSN} = B_{OPN} - B_{RPN} $	–	1.0	–	mT	5

1. 5 Product with $B_{OP} = 7.0$ mT typ.

Table 15

($T_a = +25^\circ\text{C}$, $V_{DD} = 5.0$ V, $V_{SS} = 0$ V unless otherwise specified)

Item	Symbol	Condition	Min.	Typ.	Max.	Unit	Test Circuit	
Operation point* ¹	S pole	B _{OPS}	–	5.0	7.0	8.5	mT	5
	N pole	B _{OPN}	–	–8.5	–7.0	–5.0	mT	5
Release point* ²	S pole	B _{RPS}	–	3.7	5.2	7.2	mT	5
	N pole	B _{RPN}	–	–7.2	–5.2	–3.7	mT	5
Hysteresis width* ³	S pole	B _{HYSS}	$B_{HYSS} = B_{OPS} - B_{RPS}$	–	1.8	–	mT	5
	N pole	B _{HYSN}	$B_{HYSN} = B_{OPN} - B_{RPN} $	–	1.8	–	mT	5

2. Product with S pole detection

2. 1 Product with $B_{OP} = 1.8$ mT typ.

Table 16

($T_a = +25^\circ\text{C}$, $V_{DD} = 5.0$ V, $V_{SS} = 0$ V unless otherwise specified)

Item	Symbol	Condition	Min.	Typ.	Max.	Unit	Test Circuit	
Operation point* ¹	S pole	B _{OPS}	–	0.9	1.8	2.7	mT	5
Release point* ²	S pole	B _{RPS}	–	0.3	1.2	2.2	mT	5
Hysteresis width* ³	S pole	B _{HYSS}	$B_{HYSS} = B_{OPS} - B_{RPS}$	–	0.6	–	mT	5

2. 2 Product with $B_{OP} = 3.0$ mT typ.

Table 17

($T_a = +25^\circ\text{C}$, $V_{DD} = 5.0$ V, $V_{SS} = 0$ V unless otherwise specified)

Item	Symbol	Condition	Min.	Typ.	Max.	Unit	Test Circuit	
Operation point* ¹	S pole	B _{OPS}	–	1.4	3.0	4.0	mT	5
Release point* ²	S pole	B _{RPS}	–	1.1	2.2	3.7	mT	5
Hysteresis width* ³	S pole	B _{HYSS}	$B_{HYSS} = B_{OPS} - B_{RPS}$	–	0.8	–	mT	5

2. 3 Product with $B_{OP} = 3.4$ mT typ.

Table 18

($T_a = +25^\circ\text{C}$, $V_{DD} = 5.0$ V, $V_{SS} = 0$ V unless otherwise specified)

Item	Symbol	Condition	Min.	Typ.	Max.	Unit	Test Circuit	
Operation point* ¹	S pole	B _{OPS}	–	2.0	3.4	5.6	mT	5
Release point* ²	S pole	B _{RPS}	–	1.5	2.6	4.2	mT	5
Hysteresis width* ³	S pole	B _{HYSS}	$B_{HYSS} = B_{OPS} - B_{RPS}$	–	0.8	–	mT	5

2. 4 Product with $B_{OP} = 4.5$ mT typ.

Table 19

($T_a = +25^\circ\text{C}$, $V_{DD} = 5.0$ V, $V_{SS} = 0$ V unless otherwise specified)

Item	Symbol	Condition	Min.	Typ.	Max.	Unit	Test Circuit	
Operation point* ¹	S pole	B _{OPS}	–	2.5	4.5	6.0	mT	5
Release point* ²	S pole	B _{RPS}	–	2.0	3.5	5.5	mT	5
Hysteresis width* ³	S pole	B _{HYSS}	$B_{HYSS} = B_{OPS} - B_{RPS}$	–	1.0	–	mT	5

2. 5 Product with $B_{OP} = 7.0$ mT typ.

Table 20

($T_a = +25^\circ\text{C}$, $V_{DD} = 5.0$ V, $V_{SS} = 0$ V unless otherwise specified)

Item	Symbol	Condition	Min.	Typ.	Max.	Unit	Test Circuit	
Operation point* ¹	S pole	B _{OPS}	–	5.0	7.0	8.5	mT	5
Release point* ²	S pole	B _{RPS}	–	3.7	5.2	7.2	mT	5
Hysteresis width* ³	S pole	B _{HYSS}	$B_{HYSS} = B_{OPS} - B_{RPS}$	–	1.8	–	mT	5

3. Product with N pole detection

3.1 Product with $B_{OP} = 1.8$ mT typ.

Table 21

($T_a = +25^\circ\text{C}$, $V_{DD} = 5.0$ V, $V_{SS} = 0$ V unless otherwise specified)

Item	Symbol	Condition	Min.	Typ.	Max.	Unit	Test Circuit	
Operation point* ¹	N pole	B_{OPN}	-	-2.7	-1.8	-0.9	mT	5
Release point* ²	N pole	B_{RPN}	-	-2.2	-1.2	-0.3	mT	5
Hysteresis width* ³	N pole	B_{HYSN}	$B_{HYSN} = B_{OPN} - B_{RPN} $	-	0.6	-	mT	5

3.2 Product with $B_{OP} = 3.0$ mT typ.

Table 22

($T_a = +25^\circ\text{C}$, $V_{DD} = 5.0$ V, $V_{SS} = 0$ V unless otherwise specified)

Item	Symbol	Condition	Min.	Typ.	Max.	Unit	Test Circuit	
Operation point* ¹	N pole	B_{OPN}	-	-4.0	-3.0	-1.4	mT	5
Release point* ²	N pole	B_{RPN}	-	-3.7	-2.2	-1.1	mT	5
Hysteresis width* ³	N pole	B_{HYSN}	$B_{HYSN} = B_{OPN} - B_{RPN} $	-	0.8	-	mT	5

3.3 Product with $B_{OP} = 3.4$ mT typ.

Table 23

($T_a = +25^\circ\text{C}$, $V_{DD} = 5.0$ V, $V_{SS} = 0$ V unless otherwise specified)

Item	Symbol	Condition	Min.	Typ.	Max.	Unit	Test Circuit	
Operation point* ¹	N pole	B_{OPN}	-	-5.6	-3.4	-2.0	mT	5
Release point* ²	N pole	B_{RPN}	-	-4.2	-2.6	-1.5	mT	5
Hysteresis width* ³	N pole	B_{HYSN}	$B_{HYSN} = B_{OPN} - B_{RPN} $	-	0.8	-	mT	5

3.4 Product with $B_{OP} = 4.5$ mT typ.

Table 24

($T_a = +25^\circ\text{C}$, $V_{DD} = 5.0$ V, $V_{SS} = 0$ V unless otherwise specified)

Item	Symbol	Condition	Min.	Typ.	Max.	Unit	Test Circuit	
Operation point* ¹	N pole	B_{OPN}	-	-6.0	-4.5	-2.5	mT	5
Release point* ²	N pole	B_{RPN}	-	-5.5	-3.5	-2.0	mT	5
Hysteresis width* ³	N pole	B_{HYSN}	$B_{HYSN} = B_{OPN} - B_{RPN} $	-	1.0	-	mT	5

3.5 Product with $B_{OP} = 7.0$ mT typ.

Table 25

($T_a = +25^\circ\text{C}$, $V_{DD} = 5.0$ V, $V_{SS} = 0$ V unless otherwise specified)

Item	Symbol	Condition	Min.	Typ.	Max.	Unit	Test Circuit	
Operation point* ¹	N pole	B_{OPN}	-	-8.5	-7.0	-5.0	mT	5
Release point* ²	N pole	B_{RPN}	-	-7.2	-5.2	-3.7	mT	5
Hysteresis width* ³	N pole	B_{HYSN}	$B_{HYSN} = B_{OPN} - B_{RPN} $	-	1.8	-	mT	5

***1. B_{OPN} , B_{OPS} : Operation points**

B_{OPN} and B_{OPS} are the values of magnetic flux density when the output voltage (V_{OUT}) is inverted after the magnetic flux density applied to the S-5716 Series by the magnet (N pole or S pole) is increased (the magnet is moved closer).

Even when the magnetic flux density exceeds B_{OPN} or B_{OPS} , V_{OUT} retains the status.

***2. B_{RPN} , B_{RPS} : Release points**

B_{RPN} and B_{RPS} are the values of magnetic flux density when the output voltage (V_{OUT}) is inverted after the magnetic flux density applied to the S-5716 Series by the magnet (N pole or S pole) is decreased (the magnet is moved further away).

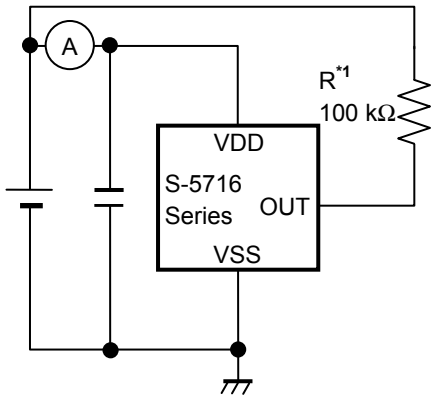
Even when the magnetic flux density falls below B_{RPN} or B_{RPS} , V_{OUT} retains the status.

***3. B_{HYSN} , B_{HYSS} : Hysteresis widths**

B_{HYSN} and B_{HYSS} are the difference between B_{OPN} and B_{RPN} , and B_{OPS} and B_{RPS} , respectively.

Remark The unit of magnetic density mT can be converted by using the formula 1 mT = 10 Gauss.

■ Test Circuits



*1. Resistor (R) is unnecessary for the CMOS output product.

Figure 6 Test Circuit 1

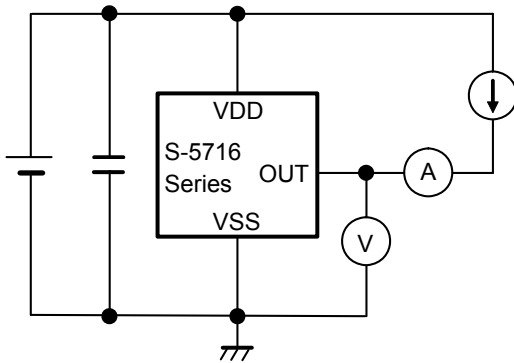


Figure 7 Test Circuit 2

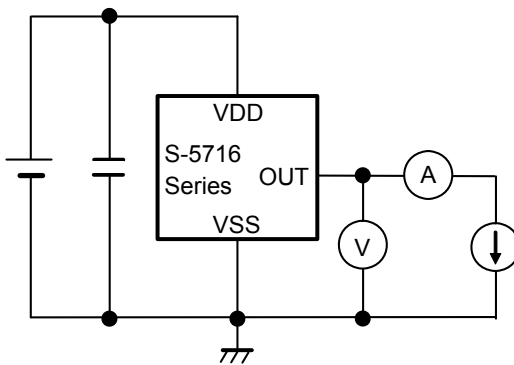


Figure 8 Test Circuit 3

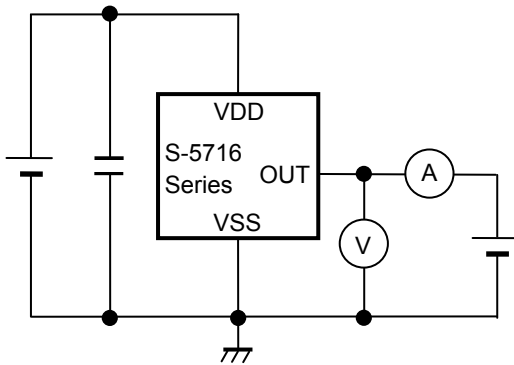
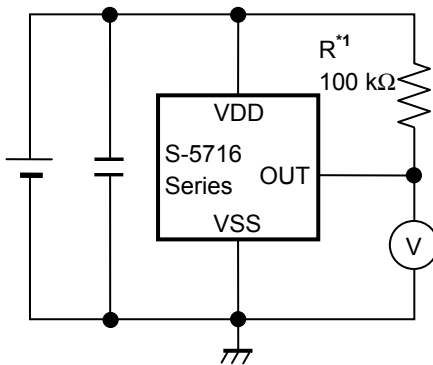


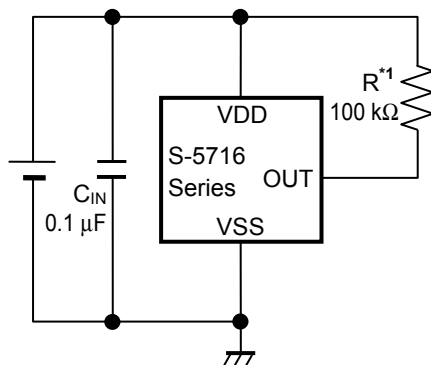
Figure 9 Test Circuit 4



*1. Resistor (R) is unnecessary for the CMOS output product.

Figure 10 Test Circuit 5

■ Standard Circuit



*1. Resistor (R) is unnecessary for the CMOS output product.

Figure 11

Caution The above connection diagram and constant will not guarantee successful operation. Perform thorough evaluation using the actual application to set the constant.

■ Operation

1. Direction of applied magnetic flux

The S-5716 Series detects the magnetic flux density which is vertical to the marking surface.

In product with both poles detection, the output voltage (V_{OUT}) is inverted when the S pole or N pole is moved closer to the marking surface.

In product with S pole detection, V_{OUT} is inverted when the S pole is moved closer to the marking surface.

In product with N pole detection, V_{OUT} is inverted when the N pole is moved closer to the marking surface.

Figure 12 and **Figure 13** show the direction in which magnetic flux is being applied.

1.1 SOT-23-3

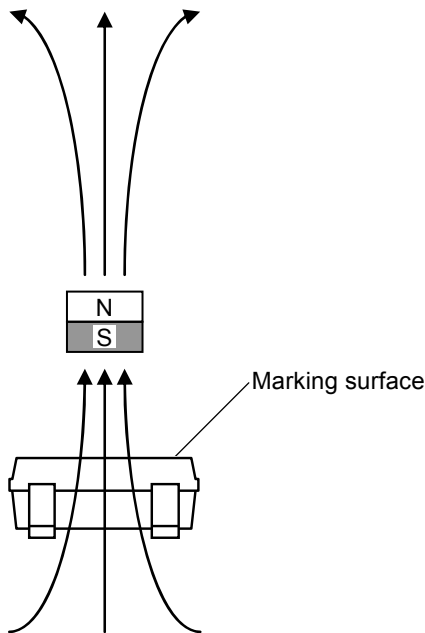


Figure 12

1.2 SNT-4A

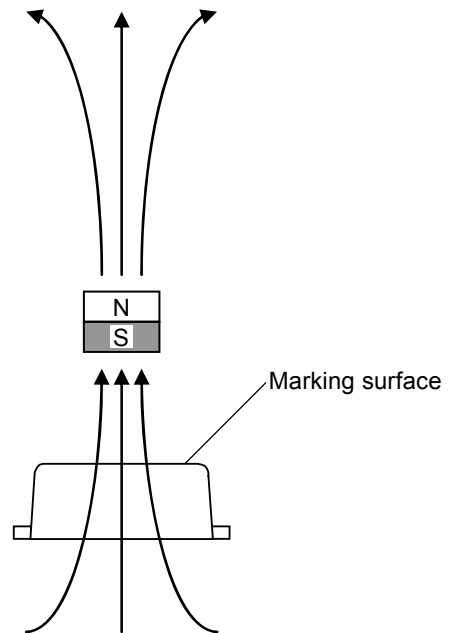


Figure 13

2. Position of Hall sensor

Figure 14 and **Figure 15** show the position of Hall sensor.

The center of this Hall sensor is located in the area indicated by a circle, which is in the center of a package as described below.

The following also shows the distance (typ. value) between the marking surface and the chip surface of a package.

2.1 SOT-23-3

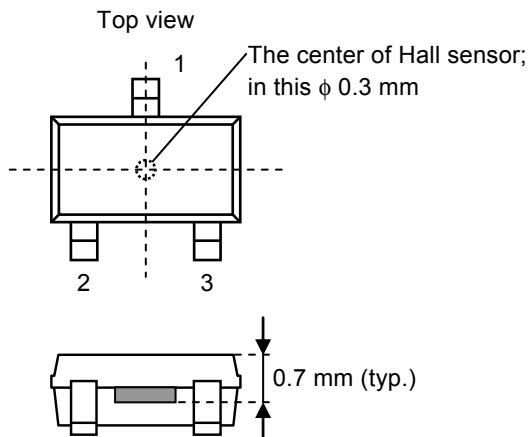


Figure 14

2.2 SNT-4A

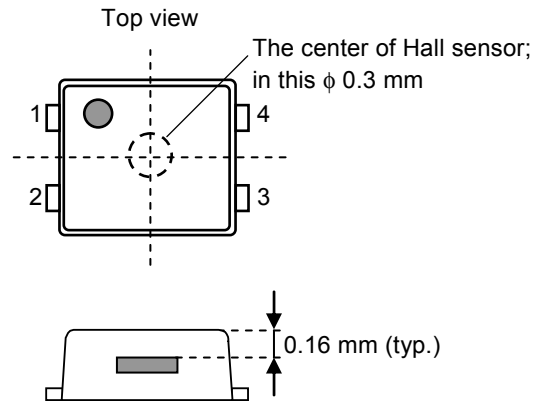


Figure 15

3. Basic operation

The S-5716 Series changes the output voltage level (V_{OUT}) according to the level of the magnetic flux density (N pole or S pole) applied by a magnet.
 The following explains the operation when the magnetism detection logic is active "L".

3.1 Product with both poles detection

When the magnetic flux density vertical to the marking surface exceeds the operation point (B_{OPN} or B_{OPS}) after the S pole or N pole of a magnet is moved closer to the marking surface of the S-5716 Series, V_{OUT} changes from "H" to "L". When the S pole or N pole of a magnet is moved further away from the marking surface of the S-5716 Series and the magnetic flux density is lower than the release point (B_{RPN} or B_{RPS}), V_{OUT} changes from "L" to "H".

Figure 16 shows the relationship between the magnetic flux density and V_{OUT} .

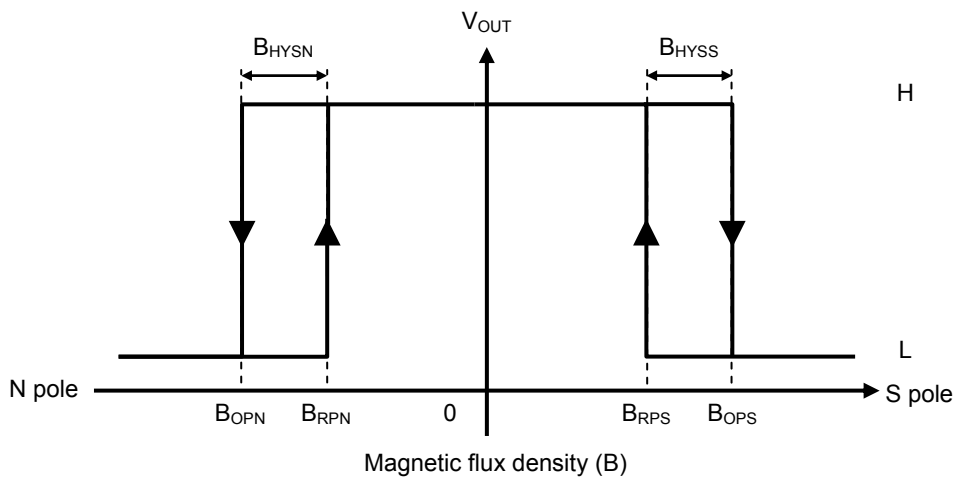


Figure 16

3.2 Product with S pole detection

When the magnetic flux density vertical to the marking surface exceeds B_{OPS} after the S pole of a magnet is moved closer to the marking surface of the S-5716 Series, V_{OUT} changes from "H" to "L". When the S pole of a magnet is moved further away from the marking surface of the S-5716 Series and the magnetic flux density is lower than B_{RPS} , V_{OUT} changes from "L" to "H".

Figure 17 shows the relationship between the magnetic flux density and V_{OUT} .

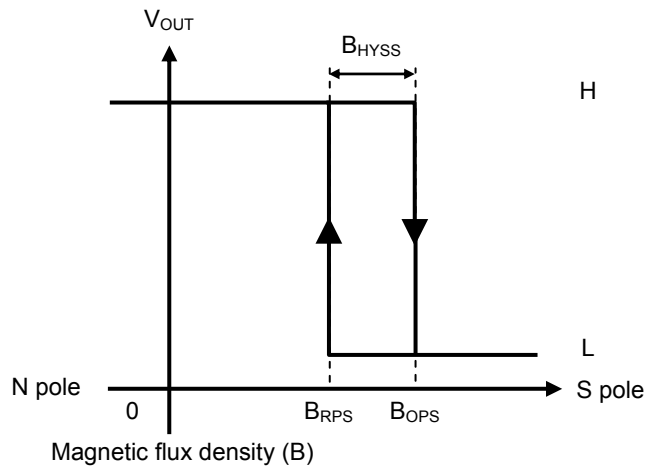


Figure 17

3.3 Product with N pole detection

When the magnetic flux density vertical to the marking surface exceeds B_{OPN} after the N pole of a magnet is moved closer to the marking surface of the S-5716 Series, V_{OUT} changes from "H" to "L". When the N pole of a magnet is moved further away from the marking surface of the S-5716 Series and the magnetic flux density is lower than B_{RPN} , V_{OUT} changes from "L" to "H".

Figure 18 shows the relationship between the magnetic flux density and V_{OUT} .

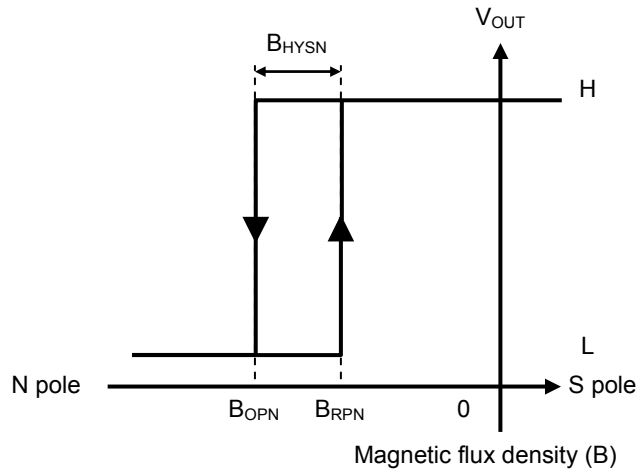


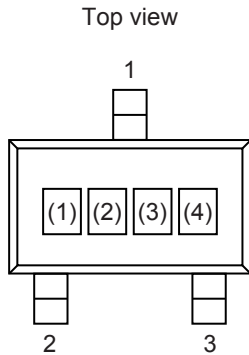
Figure 18

■ **Precautions**

- If the impedance of the power supply is high, the IC may malfunction due to a supply voltage drop caused by feed-through current. Take care with the pattern wiring to ensure that the impedance of the power supply is low.
- Note that the IC may malfunction if the power supply voltage rapidly changes.
- Do not apply an electrostatic discharge to this IC that exceeds the performance ratings of the built-in electrostatic protection circuit.
- Large stress on this IC may affect on the magnetic characteristics. Avoid large stress which is caused by bend and distortion during mounting the IC on a board or handle after mounting.
- SII Semiconductor Corporation claims no responsibility for any disputes arising out of or in connection with any infringement by products including this IC of patents owned by a third party.

■ **Marking Specifications**

1. **SOT-23-3**



(1) to (3): Product code (Refer to **Product name vs. Product code.**)
 (4): Lot number

Product name vs. Product code

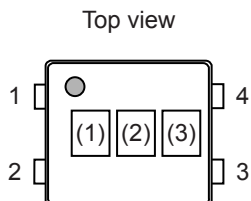
1.1 **Nch open-drain output product**

Product Name	Product Code		
	(1)	(2)	(3)
S-5716ANDL0-M3T1U	X	3	C
S-5716ANDL1-M3T1U	X	2	D
S-5716ANDL2-M3T1U	X	3	E
S-5716ANDL3-M3T1U	X	3	M
S-5716ANSL0-M3T1U	X	3	K
S-5716ANSL1-M3T1U	X	2	E
S-5716ANSL2-M3T1U	X	3	G
S-5716ANSL3-M3T1U	X	3	O

1.2 **CMOS output product**

Product Name	Product Code		
	(1)	(2)	(3)
S-5716ACDL0-M3T1U	X	3	B
S-5716ACDL1-M3T1U	X	2	F
S-5716ACDL7-M3T1U	X	3	P
S-5716ACDL2-M3T1U	X	3	D
S-5716ACDL3-M3T1U	X	3	J
S-5716ACDH0-M3T1U	X	3	H
S-5716ACDH1-M3T1U	X	3	A
S-5716ACDH2-M3T1U	X	3	I
S-5716ACSL0-M3T1U	X	3	L
S-5716ACSL1-M3T1U	X	2	G
S-5716ACSL2-M3T1U	X	3	F

2. SNT-4A



(1) to (3): Product code (Refer to **Product name vs. Product code.**)

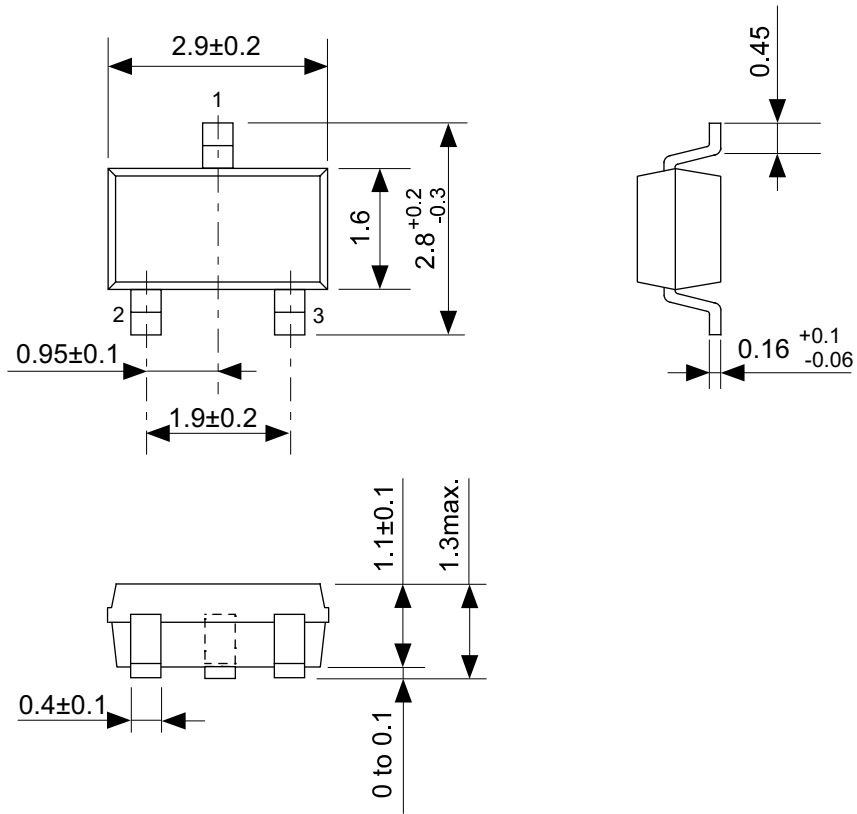
Product name vs. Product code

2.1 Nch open-drain output product

Product Name	Product Code		
	(1)	(2)	(3)
S-5716ANDL0-I4T1U	X	3	C
S-5716ANDL1-I4T1U	X	2	D
S-5716ANDL2-I4T1U	X	3	E
S-5716ANSL0-I4T1U	X	3	K
S-5716ANSL1-I4T1U	X	2	E
S-5716ANSL2-I4T1U	X	3	G
S-5716ANSL3-I4T1U	X	3	O

2.2 CMOS output product

Product Name	Product Code		
	(1)	(2)	(3)
S-5716ACDL0-I4T1U	X	3	B
S-5716ACDL1-I4T1U	X	2	F
S-5716ACDL2-I4T1U	X	3	D
S-5716ACDH0-I4T1U	X	3	H
S-5716ACDH1-I4T1U	X	3	A
S-5716ACDH2-I4T1U	X	3	I
S-5716ACSL0-I4T1U	X	3	L
S-5716ACSL1-I4T1U	X	2	G
S-5716ACSL2-I4T1U	X	3	F
S-5716ACSH0-I4T1U	X	3	N



No. MP003-C-P-SD-1.1

TITLE	SOT233-C-PKG Dimensions
No.	MP003-C-P-SD-1.1
ANGLE	
UNIT	mm

SII Semiconductor Corporation



No. MP003-C-C-SD-2.0

TITLE	SOT233-C-Carrier Tape
No.	MP003-C-C-SD-2.0
ANGLE	
UNIT	mm
SII Semiconductor Corporation	

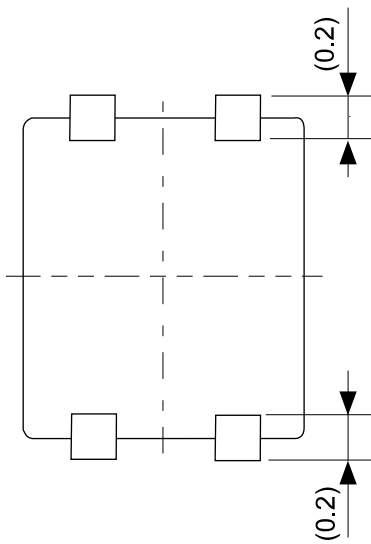
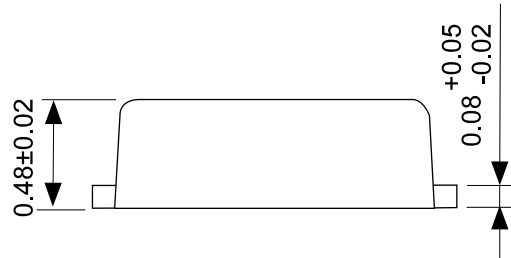
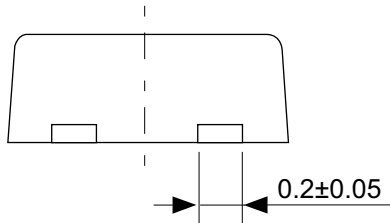
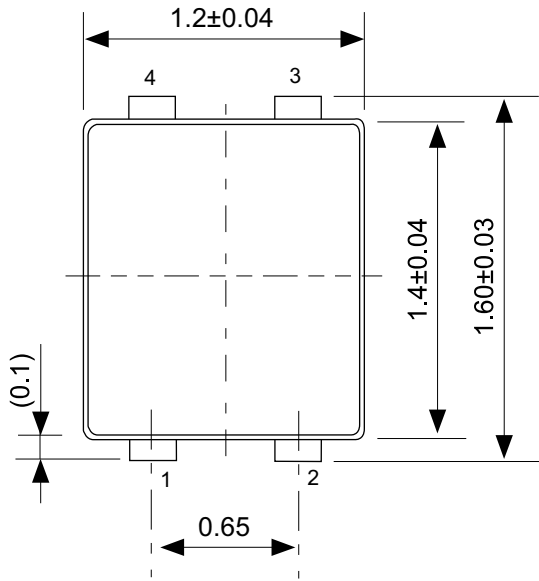


Enlarged drawing in the central part



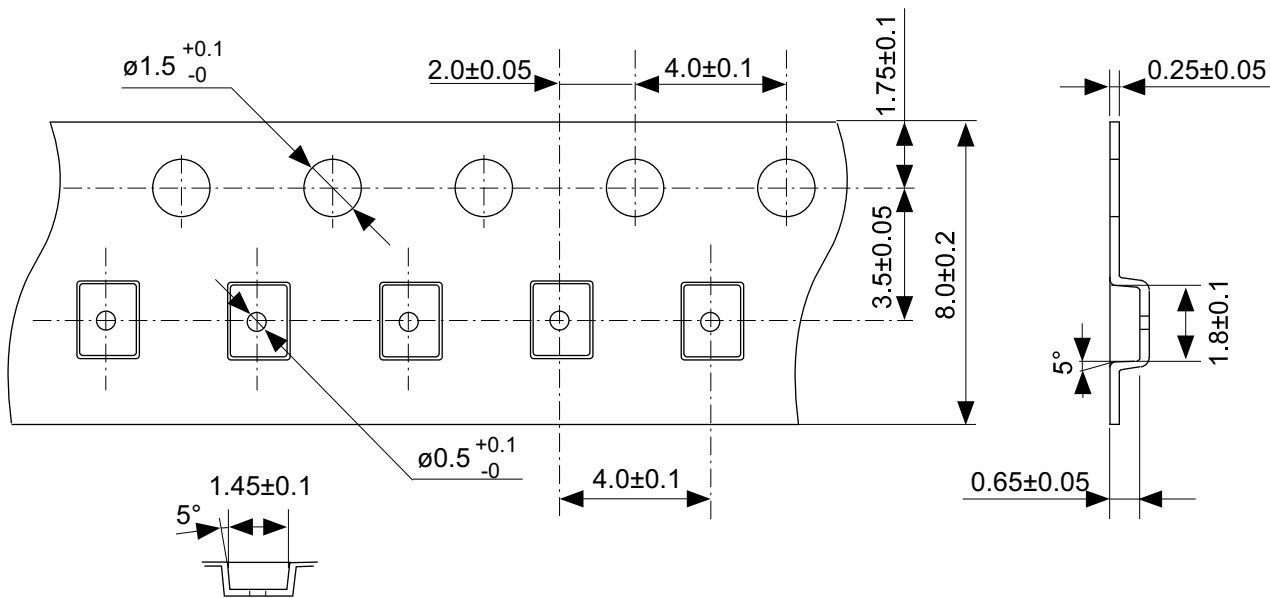
No. MP003-Z-R-SD-1.0

TITLE	SOT233-C-Reel		
No.	MP003-Z-R-SD-1.0		
ANGLE		QTY.	3,000
UNIT	mm		
SII Semiconductor Corporation			



No. PF004-A-P-SD-5.0

TITLE	SNT-4A-A-PKG Dimensions
No.	PF004-A-P-SD-5.0
ANGLE	
UNIT	mm
SII Semiconductor Corporation	



No. PF004-A-C-SD-1.0

TITLE	SNT-4A-A-Carrier Tape
No.	PF004-A-C-SD-1.0
ANGLE	
UNIT	mm
SII Semiconductor Corporation	



Enlarged drawing in the central part



No. PF004-A-R-SD-1.0

TITLE	SNT-4A-A-Reel		
No.	PF004-A-R-SD-1.0		
ANGLE		QTY.	5,000
UNIT	mm		
SII Semiconductor Corporation			



※1. ランドパターンの幅に注意してください (0.25 mm min. / 0.30 mm typ.).

※2. パッケージ中央にランドパターンを広げないでください (1.10 mm ~ 1.20 mm)。

- 注意
1. パッケージのモールド樹脂下にシルク印刷やハンダ印刷などしないでください。
 2. パッケージ下の配線上のソルダーレジストなどの厚みをランドパターン表面から0.03 mm 以下にしてください。
 3. マスク開口サイズと開口位置はランドパターンと合わせてください。
 4. 詳細は "SNTパッケージ活用の手引き" を参照してください。

※1. Pay attention to the land pattern width (0.25 mm min. / 0.30 mm typ.).

※2. Do not widen the land pattern to the center of the package (1.10 mm to 1.20 mm).

- Caution**
1. Do not do silkscreen printing and solder printing under the mold resin of the package.
 2. The thickness of the solder resist on the wire pattern under the package should be 0.03 mm or less from the land pattern surface.
 3. Match the mask aperture size and aperture position with the land pattern.
 4. Refer to "SNT Package User's Guide" for details.

※1. 请注意焊盘模式的宽度 (0.25 mm min. / 0.30 mm typ.).

※2. 请勿向封装中间扩展焊盘模式 (1.10 mm ~ 1.20 mm)。

- 注意
1. 请勿在树脂型封装的下面印刷丝网、焊锡。
 2. 在封装下、布线上的阻焊膜厚度 (从焊盘模式表面起) 请控制在 0.03 mm 以下。
 3. 钢网的开口尺寸和开口位置请与焊盘模式对齐。
 4. 详细内容请参阅 "SNT 封装的应用指南"。

No. PF004-A-L-SD-4.1

TITLE	SNT-4A-A -Land Recommendation
No.	PF004-A-L-SD-4.1
ANGLE	
UNIT	mm
SII Semiconductor Corporation	

Disclaimers (Handling Precautions)

1. All the information described herein (product data, specifications, figures, tables, programs, algorithms and application circuit examples, etc.) is current as of publishing date of this document and is subject to change without notice.
2. The circuit examples and the usages described herein are for reference only, and do not guarantee the success of any specific mass-production design.
SII Semiconductor Corporation is not responsible for damages caused by the reasons other than the products or infringement of third-party intellectual property rights and any other rights due to the use of the information described herein.
3. SII Semiconductor Corporation is not responsible for damages caused by the incorrect information described herein.
4. Take care to use the products described herein within their specified ranges. Pay special attention to the absolute maximum ratings, operation voltage range and electrical characteristics, etc.
SII Semiconductor Corporation is not responsible for damages caused by failures and/or accidents, etc. that occur due to the use of products outside their specified ranges.
5. When using the products described herein, confirm their applications, and the laws and regulations of the region or country where they are used and verify suitability, safety and other factors for the intended use.
6. When exporting the products described herein, comply with the Foreign Exchange and Foreign Trade Act and all other export-related laws, and follow the required procedures.
7. The products described herein must not be used or provided (exported) for the purposes of the development of weapons of mass destruction or military use. SII Semiconductor Corporation is not responsible for any provision (export) to those whose purpose is to develop, manufacture, use or store nuclear, biological or chemical weapons, missiles, or other military use.
8. The products described herein are not designed to be used as part of any device or equipment that may affect the human body, human life, or assets (such as medical equipment, disaster prevention systems, security systems, combustion control systems, infrastructure control systems, vehicle equipment, traffic systems, in-vehicle equipment, aviation equipment, aerospace equipment, and nuclear-related equipment), excluding when specified for in-vehicle use or other uses. Do not use those products without the prior written permission of SII Semiconductor Corporation. Especially, the products described herein cannot be used for life support devices, devices implanted in the human body and devices that directly affect human life, etc.
Prior consultation with our sales office is required when considering the above uses.
SII Semiconductor Corporation is not responsible for damages caused by unauthorized or unspecified use of our products.
9. Semiconductor products may fail or malfunction with some probability.
The user of these products should therefore take responsibility to give thorough consideration to safety design including redundancy, fire spread prevention measures, and malfunction prevention to prevent accidents causing injury or death, fires and social damage, etc. that may ensue from the products' failure or malfunction.
The entire system must be sufficiently evaluated and applied on customer's own responsibility.
10. The products described herein are not designed to be radiation-proof. The necessary radiation measures should be taken in the product design by the customer depending on the intended use.
11. The products described herein do not affect human health under normal use. However, they contain chemical substances and heavy metals and should therefore not be put in the mouth. The fracture surfaces of wafers and chips may be sharp. Take care when handling these with the bare hands to prevent injuries, etc.
12. When disposing of the products described herein, comply with the laws and ordinances of the country or region where they are used.
13. The information described herein contains copyright information and know-how of SII Semiconductor Corporation.
The information described herein does not convey any license under any intellectual property rights or any other rights belonging to SII Semiconductor Corporation or a third party. Reproduction or copying of the information described herein for the purpose of disclosing it to a third-party without the express permission of SII Semiconductor Corporation is strictly prohibited.
14. For more details on the information described herein, contact our sales office.

1.0-2016.01

