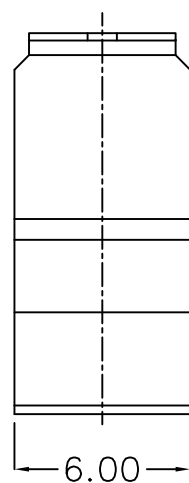
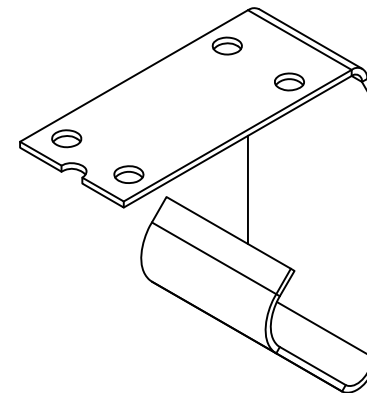
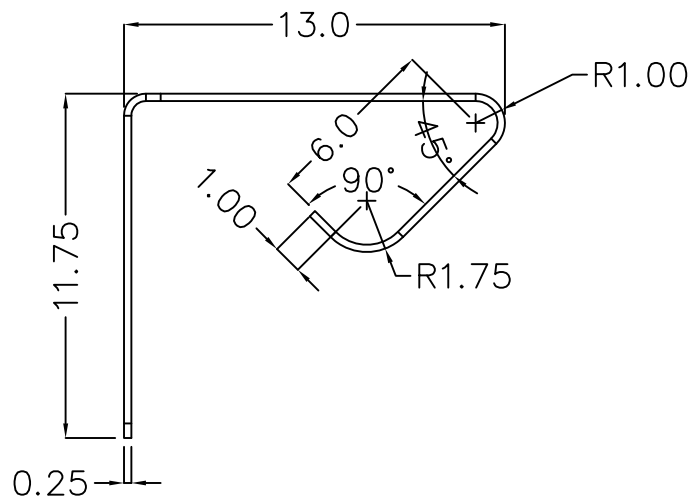
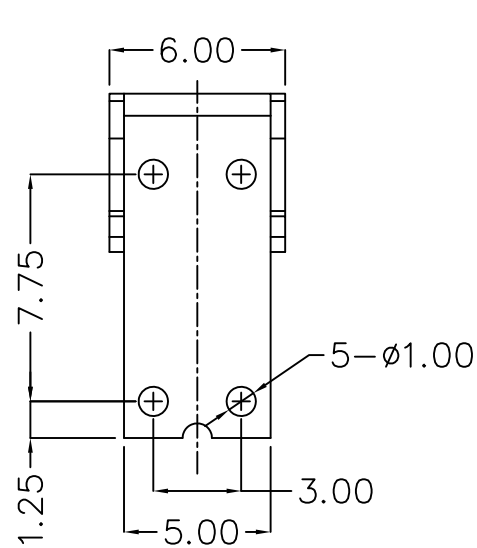




REV.	ECN NO.	REVISED	DATE



工程部
2018-10-19
LQ. HUANG

技术要求:

- 1、截剪断面毛刺高度 $\leq 0.03\text{mm}$;
- 2、部件要求平整,无变形、裂纹、损伤等外观缺陷;

UNLESS OTHERWISE SPECIFIED TOLERANCES		MYOUNG 美阳 www.meiyangdz.com	
DECIMALS: X :±0.30 X.X :±0.25 X.XX :±0.20 X.XXX :±0.10	ANGLES: X :±1° X.X :±0.5°	DSND YangFeng	DATE 2018-06-13
WEIGHT:		CHKD ZhouRuicai	DATE 2018-06-13
SHEET 1 OF 1		APVD XueShunyong	DATE 2018-06-13
NO. PART NAME Q'TY MATERIAL PLATING & COLOR		SCALE: UNIT: mm	VIEW:
1 TERMINAL(+) 1 Mn STEEL T=0.25 Tin Nickel		SIZE: A4	TITLE: 电池弹片3031
		REV.: A/0	PART NO.: MY-FJ-3031
		OBJECT: MY	DRAW NO.:MY-CP-0109

1	TERMINAL(+)	1	Mn STEEL T=0.25	Tin Nickel
NO.	PART NAME	Q'TY	MATERIAL	PLATING & COLOR