

TRM42 Series

FEATURES

- 90 to 264 VAC universal input
- Medically approved
- Internal EMI filter
- Single and dual outputs
- Output voltage available from 3 VDC thru 50 VDC
- Short Circuit, OVP and OLP protections
- Desktop style with Class I insulation



SPECIFICATIONS

Input Voltage.....	90-264VAC
Input Frequency.....	47-63Hz
Inrush Current.....	20A at 115VAC, 40A at 230VAC, cold start
Efficiency.....	70% min for output = 3~11V 85% min. for CEC compliant models
Standby Power.....	< 0.5W @ no load for CEC IV compliant models < 0.3W @ no load for CEC V compliant models
Leakage Current.....	0.1mA max.
Operating Temperature.....	0~60°C
Derating.....	Derate from 100% @ 40°C linearly to 50% @ 60°C
Safety Standards.....	UL/cUL (UL 60601-1), TUV (EN 60601-1), CE
EMI Standards.....	FCC Part-18 class B, CISPR-11 EN55011 Class B emission limits

All specifications are typical at nominal line, full load and 25°C ambient unless otherwise noted.

MODEL LIST



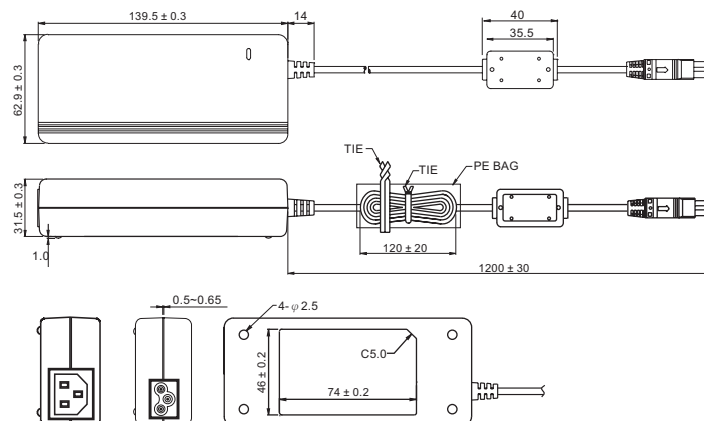
Product No.	Output Voltage	Output Current	Output Watts	CEC*
TRM42-S03-x	3~5V	10~6A	30W	
TRM42-S05-x	5~6V	7~6A	36W	
TRM42-S07-x	6~8V	6~4.5A	36W	
TRM42-S09-xG	8~11V	4.50~3.27A	36W	IV
TRM42-S12-xG	11~13V	3.82~3.23A	42W	IV
TRM42-S15-xG	13~16V	3.23~2.62A	42W	IV
TRM42-S18-xG	16~21V	2.62~2A	42W	V
TRM42-S24-xG	21~27V	2~1.56A	42W	V
TRM42-S48-xG	40~50V	1.05~0.84A	42W	IV

* AC Inlet Code: x = 4 for IEC320/C14, x = 6 for ICE320/C6
 * Models with CEC level V (or IV) compliance are also compliant to ErP step 2 (or step 1).
 * For single output models, please specify the output voltage when ordering.

Dual Output Model Number	Output #1				Output #2				Max. Watts*
	Vo. Nom (VDC)	Lo Min (A)	Lo Max (A)	Reg. Max	Vo. Nom (VDC)	Lo Min (A)	Lo Max (A)	Reg. Max	
TRM42-D03-x	3.3	0.5	5	±7%	12	0	2	±5%	40W
TRM42-D07-x	3.3	0.5	5	±7%	24	0.2	1	±5%	40W
TRM42-D13-x	5	0.5	5	±5%	12	0.3	2	±5%	40W
TRM42-D15-x	5	0.5	5	±7%	15	0.3	2	±5%	40W
TRM42-D17-x	5	0.5	5	±5%	24	0.2	1	±5%	40W

* Each output can load to its maximum current, however the total power shall not exceed the maximum allowable output wattage.

Mechanical Drawing: (mm)



Tumbler Technologies + TRUMPower

3350 Scott Blvd., Bldg. 13, Santa Clara, California 95054, USA

Phone: 408-988-6616 • Fax: 408-988-6622 • email: sales@trumpower.com • Website: www.TRUMPower.com