

### Specifications

Insulation Resistance:	100M $\Omega$ min. at 80V DC
Withstanding Voltage:	80Vrms
Differential Impedance:	100 $\Omega$ $\pm$ 10 $\Omega$
Line Resistance:	25m $\Omega$
Attenuation:	<1dB at 8GHz and <2dB at 12GHz
Return Loss:	<20dB at 5GHz and <13dB at 8GHz
Cross Talk Ratio:	NE and FE <3%
Operating Temp. Range:	-55°C to +105°C
Mating Cycles:	200 times

### Materials

Housing:	LCP (UL94V-0), black
Shell:	Stainless
Contact:	Copper Alloy, Gold plating over Nickel
Screw:	Stainless
Stiffener:	Stainless,
Insulator:	PA9T, black

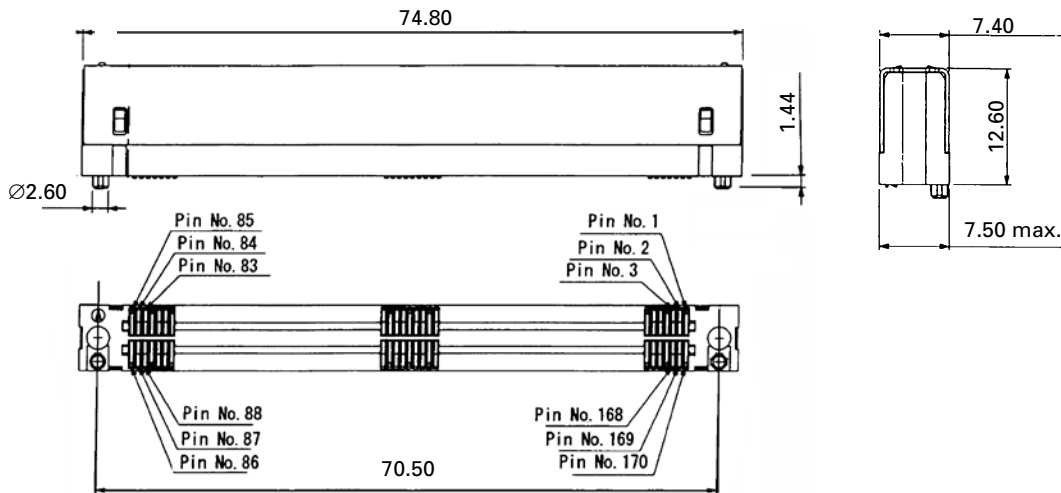
### Part Number (Details)

CN080 - 170 - 00 \*\*

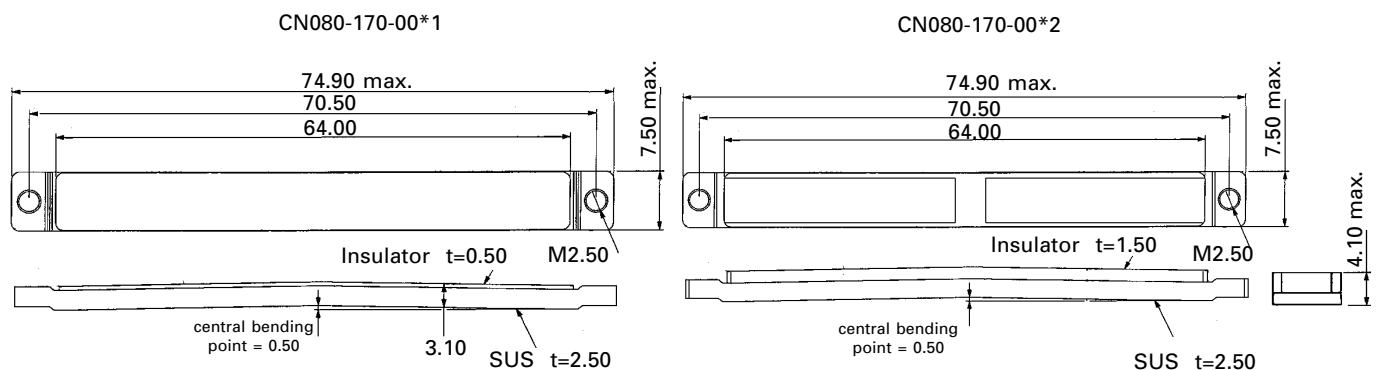
Series	
No. of Contacts	
01 = Standard stiffener	
11 = with long screws for 5mm PCB thickness	
21 = with long screws for 7mm PCB thickness	
02 = With special stiffener for component mounting	
12 = with long screws for 5mm PCB thickness	
22 = with long screws for 7mm PCB thickness	



### Outline Connector Dimensions CN080-170-000\*



### Stiffener Outline Dimensions



### PCB Layout CN080-170-00\*\*

