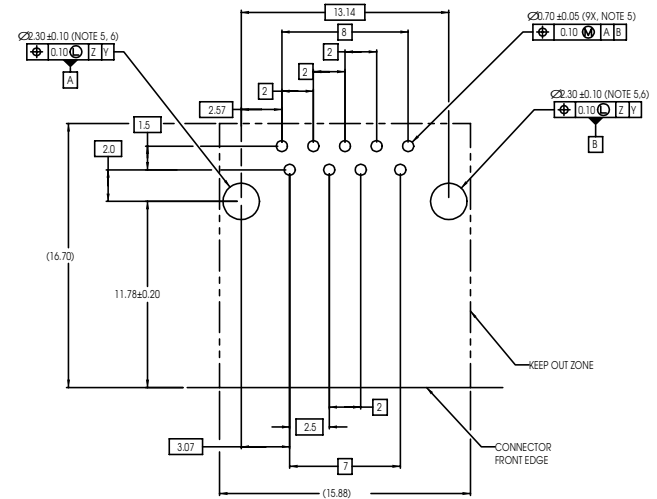
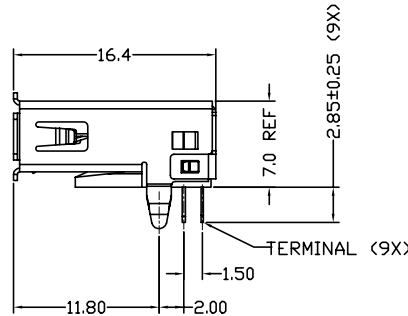
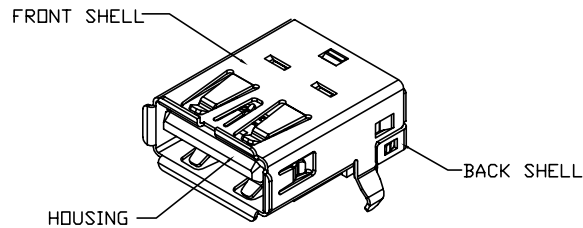
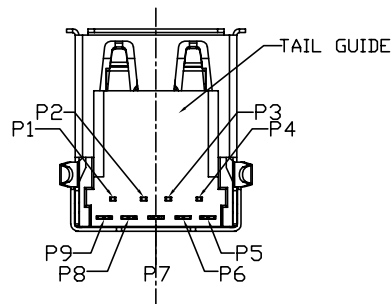
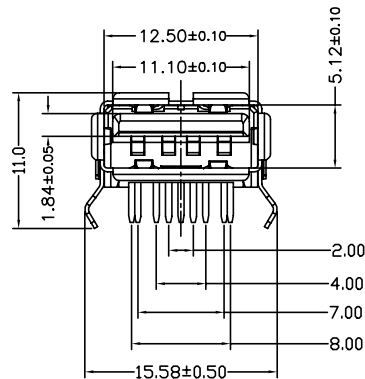
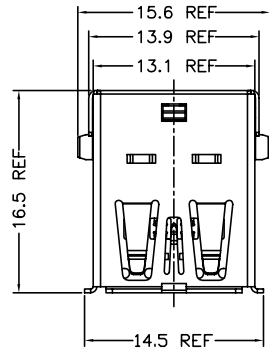


PART NUMBER	Contact Area Plating	DURABILITY (cycles)
10117835-001LF	30u" (0.76um) Min. gold	3500 Min.
10117835-002LF	Gold Flash	1500 Min.



RECOMMENDED PCB LAYOUT
TOP VIEW (THICKNESS:1.6±0.1mm)

Notes:

- Materials and Finish
Housing & Tail Guide: Glass fiber filled thermoplastic resin, UL94 V-0 rated, color blue.
Terminals: Copper Alloy, 50u"(1.27um) Min. Ni underplated over all.
Contact area: see table
Tail area: 80u"(2.0um) Min. Matte Tin plated.
Front Shell: Copper Alloy, 50u"(1.27um) Min. Ni plated over all.
Back Shell: Stell, 80u"(2.0um) Min. Ni plated over all.
- Product specification refer to FCI GS-12-0928.
- Package specification refer to GS-14-2157 (Tray package style).
- This product will withstand exposure to 260°C peak temp. for 10 seconds in a wave soldering application with recommended thick circuit board.
- Product meets European Union Directives and other country regulations as described in FCI GS-22-008.
- Recommended PCB hole is finished plating through hole (PTH) size.
- Datum Z,Y and basic dimensions were constructed by customer.

mat'l. code				surface ASME Y14.5 ✓ ASME Y14.5		tolerance tolerances unless otherwise specified		projection MM		product family USB 3.0		
ltr	ecn no	dr	date	angle	g	x.±0.30	MM		title USB 3.0 Standard-A Receptacle Right Angle Type Soldering to Board Termination			
A	-	BF	01/04/2012	°	g	x.x±0.25	scale		dwg no sheet 1 of 1 size			
B	ECR-6LX-N-012221	AZH	07/16/2012	X*±1°	g	x.xx±0.20	FCI		10117835 A4			
sheet index				dr BEER FU		2012-01-04		type		CUSTOMER Drawing		
revision sheet				engr BEER FU		2012-01-04						
				chr BEER FU		2012-01-04						
				app BEER FU		2012-01-04						