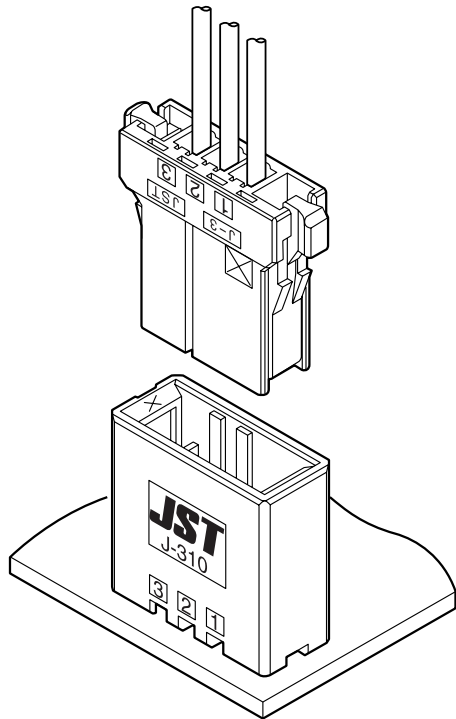


JFA CONNECTOR J300 SERIES

3.81, 5.08, 5.4 mm pitch/Disconnectable Crimp style connectors(Wire-to-board/Wire-to-wire)



Connectors for signal circuit or power supply circuit, applicable to the factory automation, heavy electric machinery, and other industrial equipment in general. In spite of the various kinds of housings available, their contacts are designed to be common. The applicable tooling can be standardized.

- Double-spring construction
- Housing lances
- Clear click feeling

Specifications

• Current rating: (AC, DC)

Unit: A

Circuits	Wire size (AWG)							
	#14	#16	#18	#20	#22	#24	#26	#28
1	15.0	14.0	11.5	9.5	8.0	6.5	5.75	4.75
2	13.5	13.5	11.25	9.25	7.5	6.25	5.5	4.5
3	12.25	12.25	10.5	8.5	7.0	5.75	5.0	4.1
4	11.25	11.25	10.0	8.0	6.5	5.5	4.75	4.0
5	10.5	10.5	9.5	7.5	6.25	5.25	4.5	4.0
6	9.75	9.75	9.0	7.0	6.0	5.0	4.25	3.75
8	9.0	9.0	8.25	6.5	5.5	4.5	3.75	3.25
9	8.5	8.5	8.0	6.25	5.25	4.5	3.75	3.25
10	8.5	8.5	8.0	6.25	5.25	4.5	3.75	3.25
12	8.25	8.25	7.75	6.0	5.0	4.0	3.5	3.0
16	8.0	8.0	7.5	6.0	4.75	4.0	3.5	3.0
20	8.0	8.0	7.25	6.0	4.5	4.0	3.5	2.75
40	7.5	7.5	6.25	5.25	4.0	3.5	3.0	2.5

- Voltage rating: J310/J340/J380 series (3.81 mm pitch) 250 V AC, DC
J320/J350 series (5.08 mm pitch) 600 V AC, DC
- Temperature range: -55°C to +105°C
(including temperature rise in applying electrical current)
- Contact resistance: Initial value/ 5 mΩ max.
After environmental tests/ 10 mΩ max.
- Insulation resistance: 1,000 MΩ min.
- Withstanding voltage:
 - J310/J340/J380 series (3.81 mm pitch) 1,500 VAC/minute
 - J320/J350 series (5.08 mm pitch) 2,200 VAC/minute
- Applicable wire: AWG #28 to #14
- Applicable PC board thickness: 1.6 to 2.4 mm
- * Refer to the page of each product for the specifications of the J330 series and common type (J350D, J360T).
- * Refer to "General Instruction and Notice when using Terminals and Connectors" at the end of this catalog.
- * Contact JST for details.
- * Compliant with RoHS.

Standards

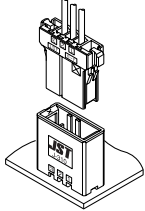
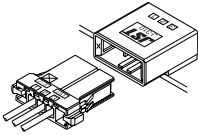
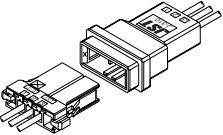
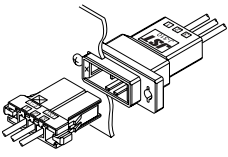

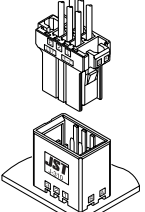
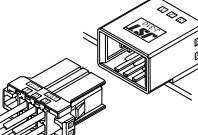
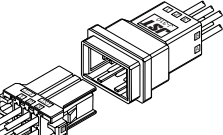
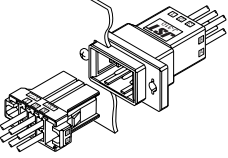
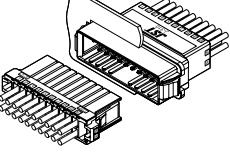
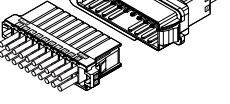
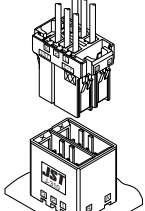
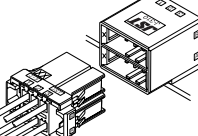
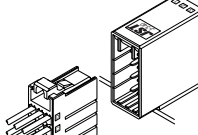
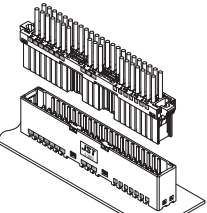
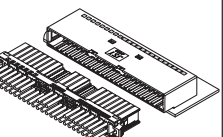
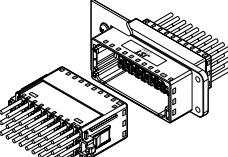
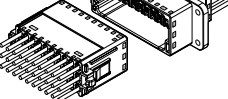
 Recognized E60389

 Certified LR20812

 R50133261

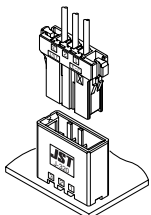
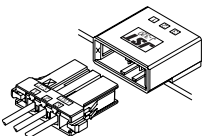
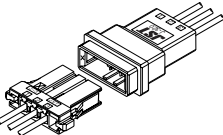
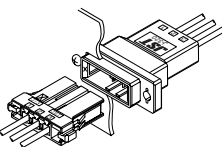
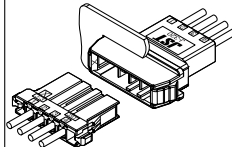
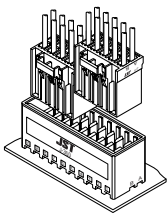
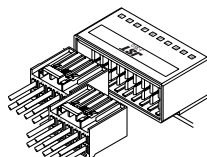
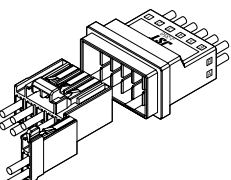
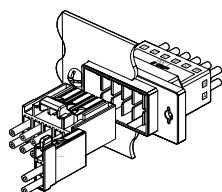
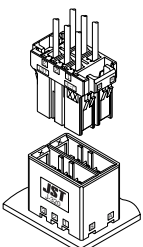
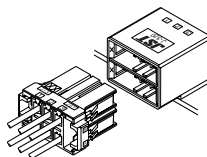
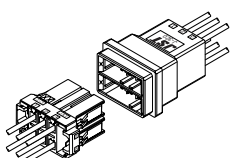
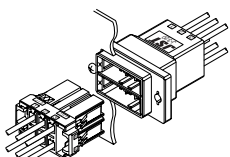
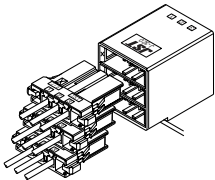
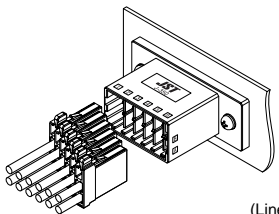
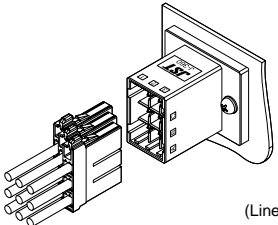
JFA CONNECTOR/J300 SERIES

List of J300 series products

Type	3.81 mm pitch / Voltage rating 250 V AC, DC				
	Wire-to-board		Wire-to-wire		
	Top entry type	Side entry type	Free hanging type	Panel mounting type	
J310S Single-row type				Screw type	Housing lock type
					
No. of circuits	3, 4, 5, 6, 8, 10	3, 4, 5, 6, 8, 10	3, 4, 5, 8, 10	3, 4, 5, 8, 10	
J310D Double-row type [Line pitch 5.08 mm]					
					
No. of circuits	6, 8, 10, 12, 16, 20	6, 8, 10, 12, 16, 20	6, 8, 10, 12, 16, 20	6, 8, 10, 12, 16, 20	
J310M Double-row module type [Line pitch 7.62 mm]					
No. of circuits	6	6			
J340F Four-row type [Line pitch 5.08 mm]					
No. of circuits		12, 20			
J380 Double-row type [Line pitch 5.08 mm] (Thin type)					
No. of circuits	40	20, 40			
Type	5.4 mm pitch / Voltage rating 600 V AC, DC				
	Wire-to-wire				
	Panel mounting type				
J330 [Line pitch 7.7 mm]		Screw type			Housing lock type
					
No. of circuits		30, 40			

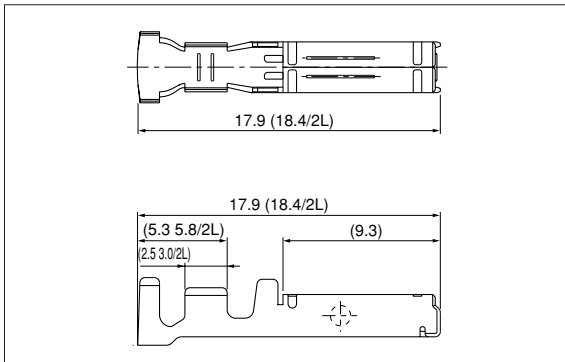
JFA CONNECTOR/J300 SERIES

List of J300 series products

Type	5.08 mm pitch / Voltage rating 600 V AC, DC				
	Wire-to-board		Wire-to-wire		
	Top entry type	Side entry type	Free hanging type	Panel mounting type	
J320S Single-row type				Screw type	Housing lock type
					
No. of circuits	2, 3, 4, 5, 6	2, 3, 4, 5, 6	1, 2, 3, 4	1, 2, 3, 4	4
J350D Double-row type [Line pitch 5.08 mm]					
				No. of circuits	12, 20
J320M Double-row module type [Line pitch 7.62 mm]					
				No. of circuits	6, 10, 12
J320T Triple-row module type [Line pitch 7.62 mm]					
				No. of circuits	
Common type	Double-row common type (J350D)		Triple-row common type (J360T)		
	 (Line pitch 5.08 mm)		 (Line pitch 6.5 mm)		
No. of circuits	12		9, 18, 24		

JFA CONNECTOR/J300 SERIES

Receptacle contact



Model No.		Applicable wire			Insulation O.D.	Q'ty	
Strip contact	Loose piece	Size	mm ²	AWG#	(mm)	reel	box (Loose piece)
SF3F-002 (*) -P2.0	BF3F-002 (*) -P2.0	S	0.08~0.20	28~24	0.8~1.4	3,700	1,000
SF3F-01 (*) -P2.0	BF3F-01 (*) -P2.0	M	0.20~0.50	24~20	1.2~2.6	3,700	1,000
SF3F-41 (*) -P2.0	LF3F-41 (*) -P2.0	L	0.50~1.25	20~16	1.8~2.8	3,200	1,000
SF3F-71 (*) -P2.0	BF3F-71 (*) -P2.0	2L	1.25~2.0	16~14	2.4~3.4	3,200	1,000

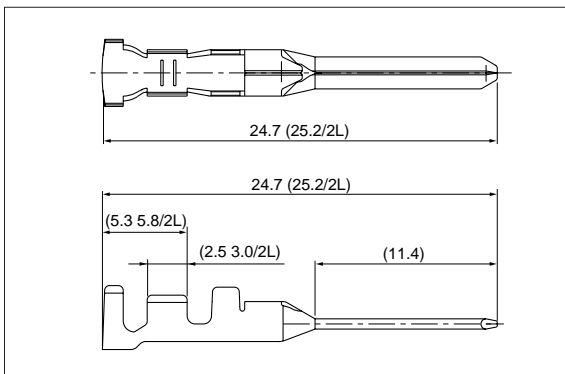
Material and Finish

Copper alloy (superior conductivity), nickel-undercoated, selective gold-plated tin-plated (reflow treatment)

RoHS compliance

Note: Finish (*): GF...Nickel-undercoated, 0.38 μm selective gold-plated
 GI...Nickel-undercoated, 0.76 μm selective gold-plated
 T.....Tin-plated (reflow treatment)

Tab contact



Model No.		Applicable wire			Insulation O.D.	Q'ty	
Strip contact	Loose piece	Size	mm ²	AWG#	(mm)	reel	box (Loose piece)
SF3M-002 (*) -M2.0N	BF3M-002 (*) -M2.0N	S	0.08~0.20	28~24	0.8~1.4	3,500	1,000
SF3M-01 (*) -M2.0N	BF3M-01 (*) -M2.0N	M	0.20~0.50	24~20	1.2~2.6	3,500	1,000
SF3M-41 (*) -M2.0N	LF3M-41 (*) -M2.0N	L	0.50~1.25	20~16	1.8~2.8	3,300	1,000
SF3M-71 (*) -M2.0N	BF3M-71 (*) -M2.0N	2L	1.25~2.0	16~14	2.4~3.4	3,200	1,000

Material and Finish

Copper alloy (superior conductivity), nickel-undercoated, selective gold-plated tin-plated (reflow treatment)

RoHS compliance

Note: 1. Finish (*): GF...Nickel-undercoated, 0.38 μm selective gold-plated
 GI...Nickel-undercoated, 0.76 μm selective gold-plated
 T.....Tin-plated (reflow treatment)
 2. BF3M-002(*)-M2.0N is not approved by CSA standard.

Crimping machine, Applicator

Strip contact Model No.	Crimping machine	Applicator			Hand tools	
		Crimp applicator	Dies	Crimp applicator with dies		
SF3F-002 (*) -P2.0	AP-K2N	MKS-L	MK/SF3F/M-002-20	APLMK SF3F/M002-20	YRK-8821	
SF3M-002 (*) -M2.0N			MK/SF3F/M-01-20	APLMK SF3F/M01-20	YRK-8811	
SF3F-01 (*) -P2.0			MK/SF3F/M-41-20	APLMK SF3F/M41-20	YRK-8801	
SF3M-01 (*) -M2.0N			MK/SF3F/M-71-20	APLMK SF3F/M71-20	YRK-1071	
SF3F-41 (*) -P2.0						
SF3M-41 (*) -M2.0N						
SF3F-71 (*) -P2.0						
SF3M-71 (*) -M2.0N						

Note: Finish (*): GF...Nickel-undercoated, 0.38 μm selective gold-plated
 GI...Nickel-undercoated, 0.76 μm selective gold-plated
 T.....Tin-plated

• Extraction tool for J300 series: EJ-JFAJ3

• Special extraction tool for J300 series: For receptacle only ...EJ-JFAJ3R, For tab only ...EJ-JFAJ3T
 • Refer to the page of "Crimping tools" for details of YRK series hand crimping tools that uses a strip contact.

Loose piece	Hand tools
BF3F-002 (*) -P2.0	YRF-882
BF3M-002 (*) -M2.0N	
BF3F-01 (*) -P2.0	YRF-881
BF3M-01 (*) -M2.0N	
LF3F-41 (*) -P2.0	YRF-880
LF3M-41 (*) -M2.0N	
BF3F-71 (*) -P2.0	YRF-1070
BF3M-71 (*) -M2.0N	YRF-1071

Note: Finish (*): GF...Nickel-undercoated, 0.38 μm selective gold-plated
 GI...Nickel-undercoated, 0.76 μm selective gold-plated
 T.....Tin-plated

Recognition mark

• Plating of the contact

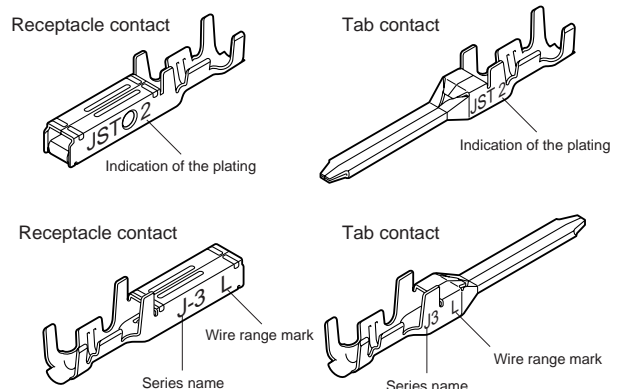
Each contact has a marking on its side so that the type or thickness of the plating is recognized.

- 2 ... gold-plated 0.38 μm thickness
- 3 ... gold-plated 0.76 μm thickness
- 5 ... tin-plated

• Common marking on the contact and its application tools

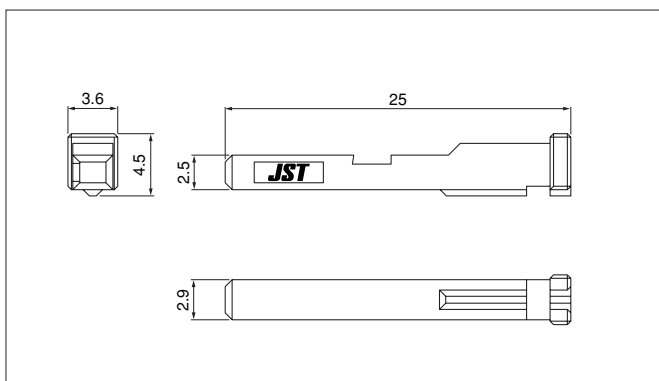
In order to avoid incorrect combination of the hand crimp tools or extraction tools and the contacts, the series name (for example J-3) and wire range mark (S, M, L, 2L) are shown on both the tools and the contacts.

- J-3 S.....AWG #28 ~ #24
- M.....AWG #24 ~ #20
- L.....AWG #20 ~ #16
- 2L...AWG #16 ~ #14



JFA CONNECTOR/J300 SERIES

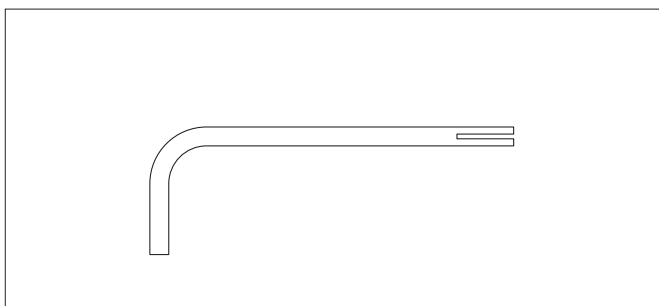
Keying plug



Model No.	Material
J3KP-VS	Glass-filled PBT, UL94V-0, white

RoHS compliance

Tab contact (Cutting jig)



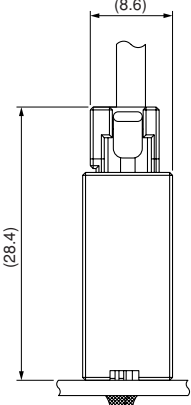
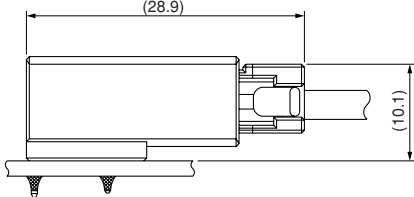
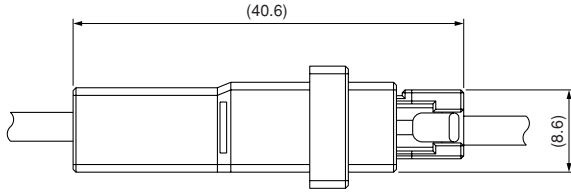
Model No.
CT-JFAJ3A

RoHS compliance

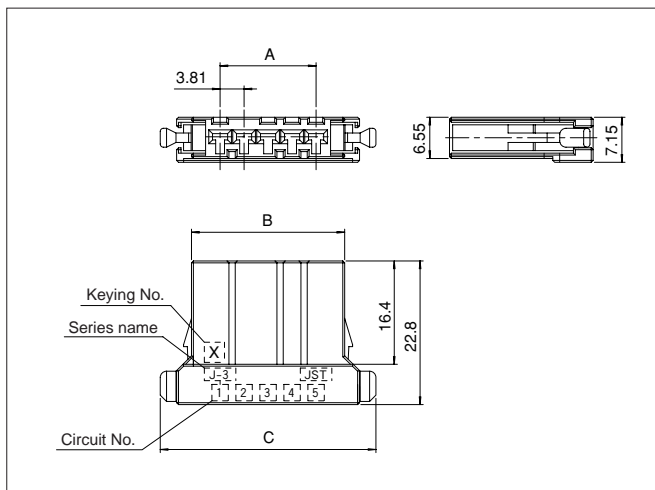
Note: Not CSA/UL/TÜV approved.

J300 SERIES/J310S

Assembly layout

Wire-to-board	<p><Top entry type></p> 	<p><Side entry type></p> 
Wire-to-wire	<p><Free hanging type / Panel mounting type></p> 	

Receptacle housing



Circuits	Keying	Model No.	Dimensions (mm)			Q'ty /bag
			A	B	C	
3	X	F31FSS-03V-KX	7.62	16.70	26.62	200
	Y	F31FSS-03V-KY	7.62	16.70	26.62	200
4	X	F31FSS-04V-KX	11.43	20.51	30.43	200
	Y	F31FSS-04V-KY	11.43	20.51	30.43	200
5	X	F31FSS-05V-KX	15.24	24.32	34.24	200
	Y	F31FSS-05V-KY	15.24	24.32	34.24	200
6	X	F31FSS-06V-KX	19.05	28.13	38.05	200
	Y	F31FSS-06V-KY	19.05	28.13	38.05	200
8	X	F31FSS-08V-KX	26.67	35.75	45.67	100
	Y	F31FSS-08V-KY	26.67	35.75	45.67	100
10	X	F31FSS-10V-KX	34.29	43.37	53.29	100
	Y	F31FSS-10V-KY	34.29	43.37	53.29	100

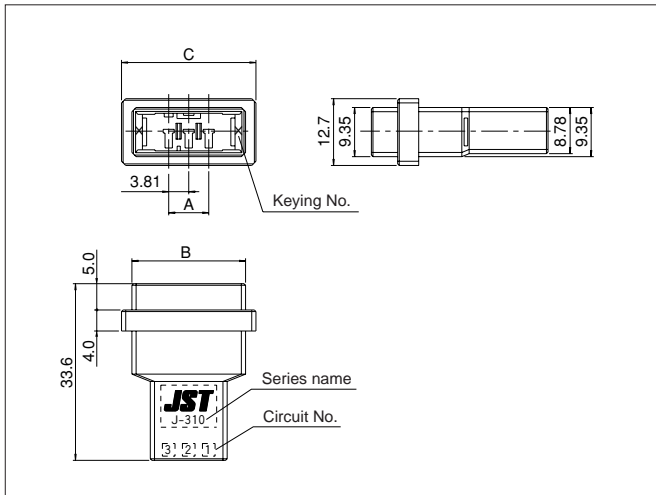
Material

Glass-filled PBT, UL94V-0, black

RoHS compliance

J300 SERIES/J310S

Tab housing (Free hanging type)



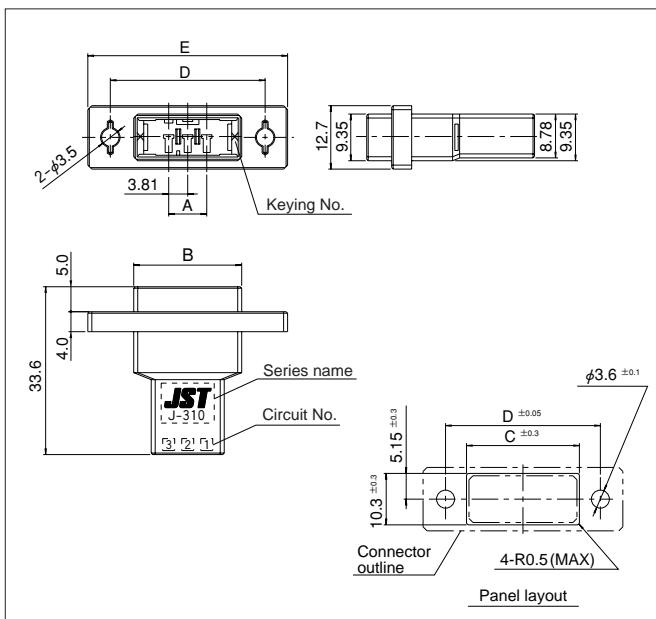
Circuits	Keying	Model No.	Dimensions (mm)			Q'ty /bag
			A	B	C	
3	X	F31MSF-03V-KX	7.62	21.62	25.57	200
	Y	F31MSF-03V-KY	7.62	21.62	25.57	200
4	X	F31MSF-04V-KX	11.43	25.43	29.38	200
	Y	F31MSF-04V-KY	11.43	25.43	29.38	200
5	X	F31MSF-05V-KX	15.24	29.24	33.19	200
	Y	F31MSF-05V-KY	15.24	29.24	33.19	200
8	X	F31MSF-08V-KX	26.67	40.67	44.62	100
	Y	F31MSF-08V-KY	26.67	40.67	44.62	100
10	X	F31MSF-10V-KX	34.29	48.29	52.24	100
	Y	F31MSF-10V-KY	34.29	48.29	52.24	100

Material

Glass-filled PBT, UL94V-0, black

RoHS compliance

Tab housing (Panel mounting type)



Circuits	Keying	Model No.	Dimensions (mm)					Q'ty /bag
			A	B	C	D	E	
3	X	F31MSP-03V-KX	7.62	21.62	22.60	31.00	40.00	200
	Y	F31MSP-03V-KY	7.62	21.62	22.60	31.00	40.00	200
4	X	F31MSP-04V-KX	11.43	25.43	26.40	34.50	43.50	200
	Y	F31MSP-04V-KY	11.43	25.43	26.40	34.50	43.50	200
5	X	F31MSP-05V-KX	15.24	29.24	30.20	38.00	47.00	200
	Y	F31MSP-05V-KY	15.24	29.24	30.20	38.00	47.00	200
8	X	F31MSP-08V-KX	26.67	40.67	41.60	50.00	59.00	100
	Y	F31MSP-08V-KY	26.67	40.67	41.60	50.00	59.00	100
10	X	F31MSP-10V-KX	34.29	48.29	49.20	58.00	67.00	100
	Y	F31MSP-10V-KY	34.29	48.29	49.20	58.00	67.00	100

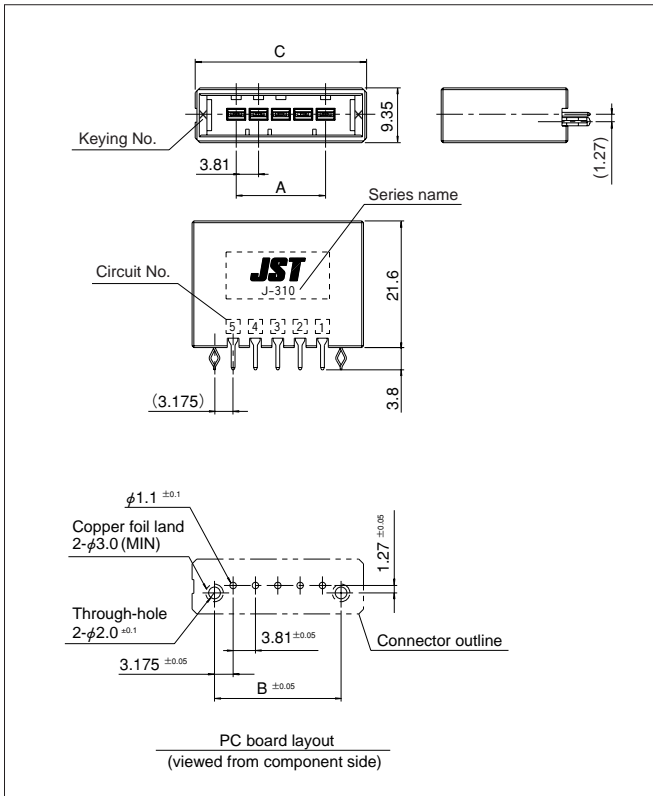
Material

Glass-filled PBT, UL94V-0, black

RoHS compliance

- Note: 1. Punch holes in the panel. Burrs must be removed.
 2. The strength of the panel must be considered when punching two or more holes.
 3. The connector must be inserted from the same side as the hole is punched.

Header (Top entry type)



Circuits	Keying	Model No.	Dimensions (mm)			Q'ty/box
			A	B	C	
3	X	B03B-F31SK-GGXR	7.62	13.97	21.62	220
	Y	B03B-F31SK-GGYR	7.62	13.97	21.62	220
4	X	B04B-F31SK-GGXR	11.43	17.78	25.43	180
	Y	B04B-F31SK-GGYR	11.43	17.78	25.43	180
5	X	B05B-F31SK-GGXR	15.24	21.59	29.24	160
	Y	B05B-F31SK-GGYR	15.24	21.59	29.24	160
6	X	B06B-F31SK-GGXR	19.05	25.40	33.05	140
	Y	B06B-F31SK-GGYR	19.05	25.40	33.05	140
8	X	B08B-F31SK-GGXR	26.67	33.02	40.67	120
	Y	B08B-F31SK-GGYR	26.67	33.02	40.67	120
10	X	B10B-F31SK-GGXR	34.29	40.64	48.29	100
	Y	B10B-F31SK-GGYR	34.29	40.64	48.29	100

Material and Finish

Tab contact: Copper alloy, nickel-undercoated, selective gold-plated

Housing: Glass-filled PBT, UL94V-0, black

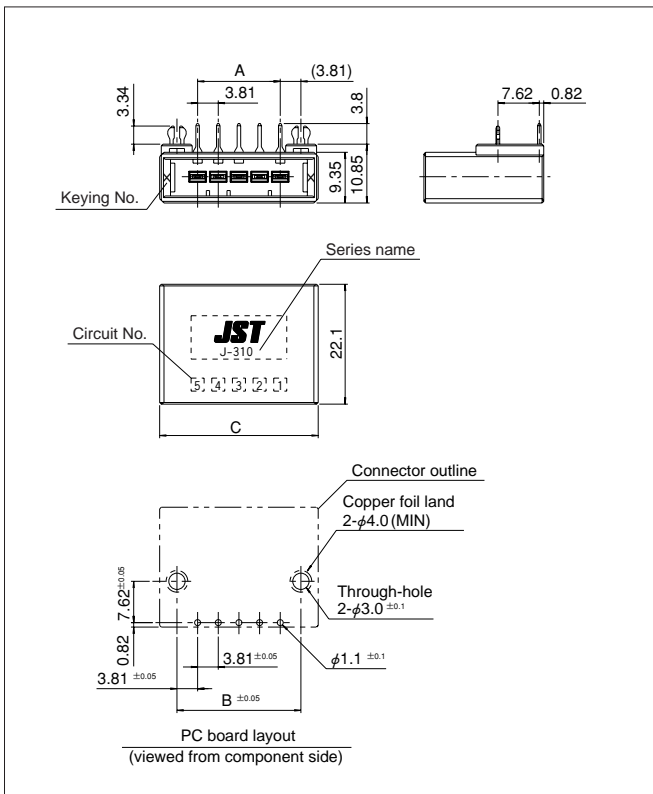
Reinforcement: Copper alloy, nickel-undercoated, selective gold-plated

RoHS compliance This product displays (LF)(AU) on a label.

Note: 1. Contact JST about the headers supplied in magazine stick.

2. Contact JST about 0.76 μm gold-plated product and tin-plated product.

Header (Side entry type)



Circuits	Keying	Model No.	Dimensions (mm)			Q'ty/box
			A	B	C	
3	X	S03B-F31SK-GGXR	7.62	15.24	21.62	165
	Y	S03B-F31SK-GGYR	7.62	15.24	21.62	165
4	X	S04B-F31SK-GGXR	11.43	19.05	25.43	135
	Y	S04B-F31SK-GGYR	11.43	19.05	25.43	135
5	X	S05B-F31SK-GGXR	15.24	22.86	29.24	120
	Y	S05B-F31SK-GGYR	15.24	22.86	29.24	120
6	X	S06B-F31SK-GGXR	19.05	26.67	33.05	105
	Y	S06B-F31SK-GGYR	19.05	26.67	33.05	105
8	X	S08B-F31SK-GGXR	26.67	34.29	40.67	90
	Y	S08B-F31SK-GGYR	26.67	34.29	40.67	90
10	X	S10B-F31SK-GGXR	34.29	41.91	48.29	75
	Y	S10B-F31SK-GGYR	34.29	41.91	48.29	75

Material and Finish

Tab contact: Copper alloy, nickel-undercoated, selective gold-plated

Housing: Glass-filled PBT, UL94V-0, black

Reinforcement: Copper alloy, nickel-undercoated, selective gold-plated

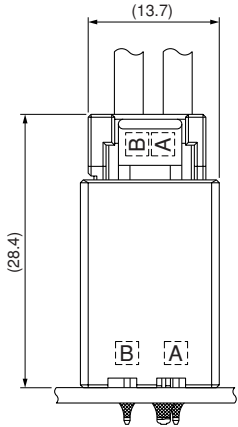
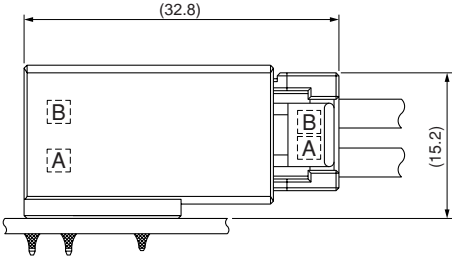
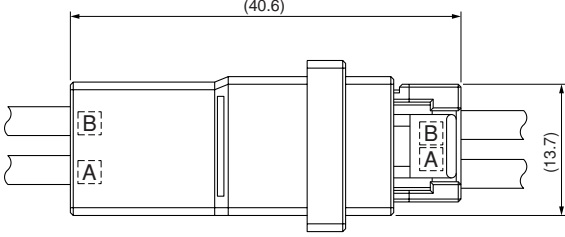
RoHS compliance This product displays (LF)(AU) on a label.

Note: 1. Contact JST about the headers supplied in magazine stick.

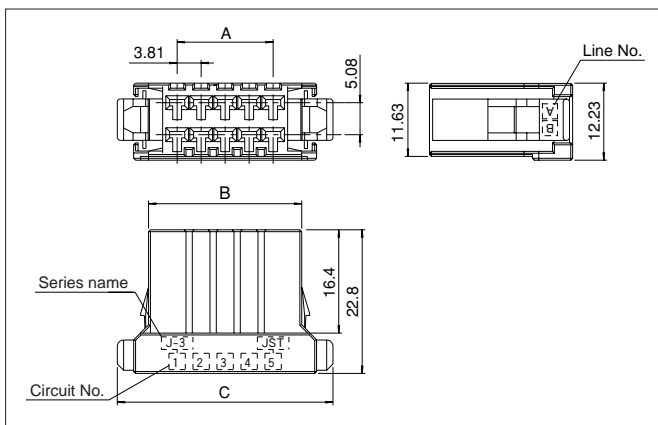
2. Contact JST about 0.76 μm gold-plated product and tin-plated product.

J300 SERIES/J310D

Assembly layout

<p>Wire-to-board</p>	<p><Top entry type></p> 	<p><Side entry type></p> 
<p>Wire-to-wire</p>	<p><Free hanging type / Panel mounting type (Screw type, Housing lock type)></p> 	

Receptacle housing



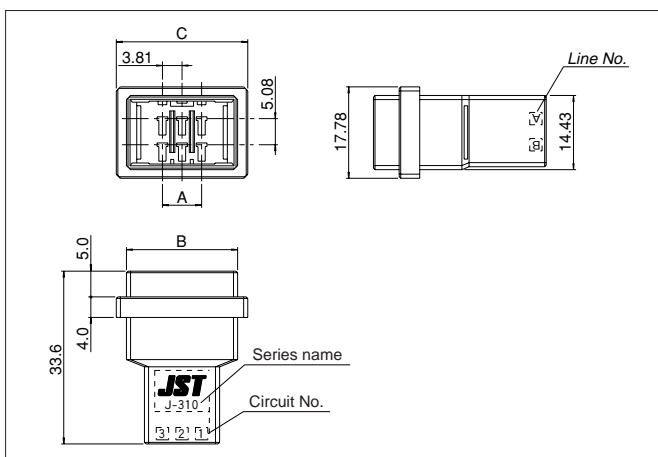
Circuits	Keying	Model No.	Dimensions (mm)			Q'ty/bag
			A	B	C	
6	—	F31FDS-06V-K	7.62	16.70	26.62	200
8	—	F31FDS-08V-K	11.43	20.51	30.43	100
10	—	F31FDS-10V-K	15.24	24.32	34.24	100
12	—	F31FDS-12V-K	19.05	28.13	38.05	100
16	—	F31FDS-16V-K	26.67	35.75	45.67	100
20	—	F31FDS-20V-K	34.29	43.37	53.29	100

Material

Glass-filled PBT, UL94V-0, black

RoHS compliance

Tab housing (Free hanging type)



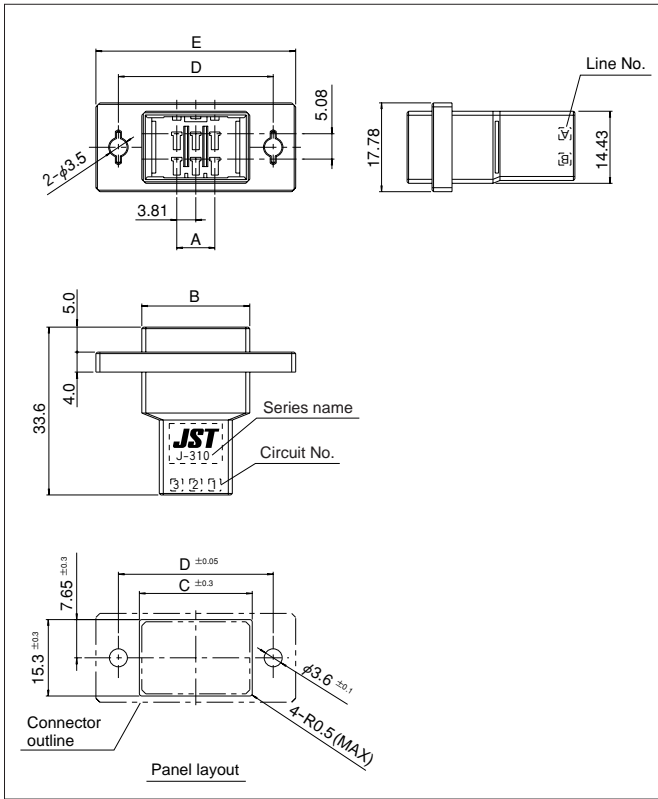
Circuits	Keying	Model No.	Dimensions (mm)			Q'ty/bag
			A	B	C	
6	—	F31MDF-06V-K	7.62	21.62	25.57	200
8	—	F31MDF-08V-K	11.43	25.43	29.38	100
10	—	F31MDF-10V-K	15.24	29.24	33.19	100
12	—	F31MDF-12V-K	19.05	33.05	37.00	100
16	—	F31MDF-16V-K	26.67	40.67	44.62	100
20	—	F31MDF-20V-K	34.29	48.29	52.24	100

Material

Glass-filled PBT, UL94V-0, black

RoHS compliance

Tab housing (Panel mounting type)



Circuits	Keying	Model No.	Dimensions (mm)					Q'ty /bag
			A	B	C	D	E	
6	—	F31MDP-06V-K	7.62	21.62	22.60	31.00	40.00	200
8	—	F31MDP-08V-K	11.43	25.43	26.40	34.50	43.50	100
10	—	F31MDP-10V-K	15.24	29.24	30.20	38.00	47.00	100
12	—	F31MDP-12V-K	19.05	33.05	34.00	42.00	51.00	100
16	—	F31MDP-16V-K	26.67	40.67	41.60	50.00	59.00	100
20	—	F31MDP-20V-K	34.29	48.29	49.20	58.00	67.00	100

Material

Glass-filled PBT, UL94V-0, black

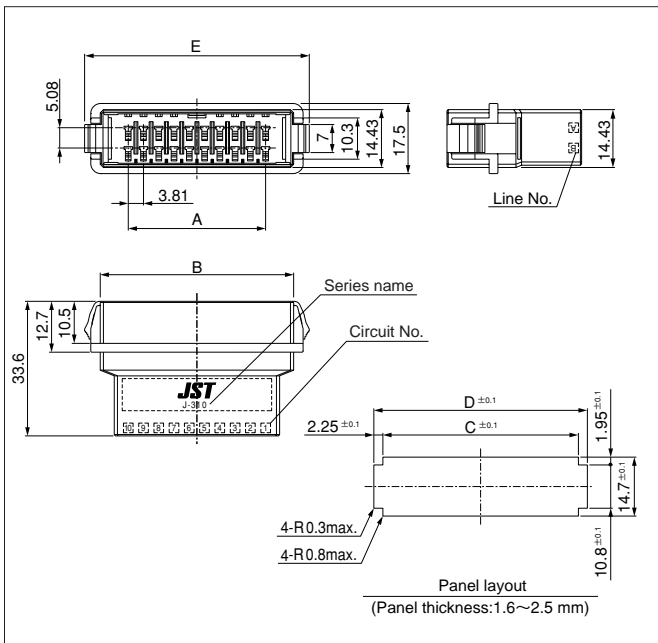
RoHS compliance

Note: 1. Punch holes in the panel. Burrs must be removed.

2. The strength of the panel must be considered when punching two or more holes.

3. The connector must be inserted from the same side as the hole is punched.

Tab housing (Panel mounting Housing lock type)



Circuits	Keying	Model No.	Dimensions (mm)					Q'ty /bag
			A	B	C	D	E	
6	—	F31MDPL-06V-K	7.62	21.62	22.15	26.65	26.33	100
12	—	F31MDPL-12V-K	19.05	33.05	33.55	38.05	37.76	100
20	—	F31MDPL-20V-K	34.29	48.29	48.80	53.30	53.00	80

Material

Glass-filled PBT, UL94V-0, black

RoHS compliance

Note: 1. Punch holes in the panel. Burrs must be removed.

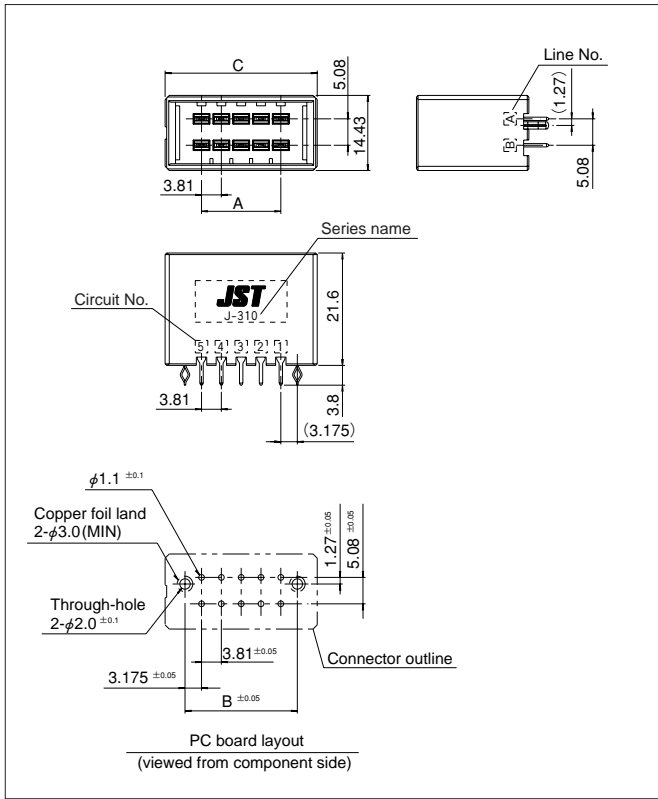
2. The strength of the panel must be considered when punching two or more holes.

3. The connector must be inserted from the same side as the hole is punched.

4. Not CSA/UL/TÜV approved.

J300 SERIES/J310D

Header (Top entry type)



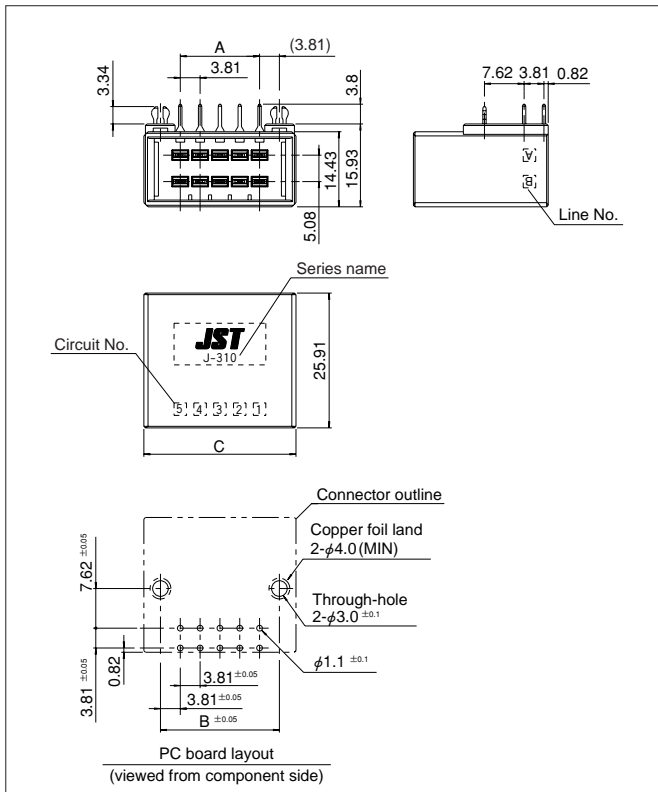
Circuits	Keying	Model No.	Dimensions (mm)			Q'ty/box
			A	B	C	
6	—	B06B-F31DK-GGR	7.62	13.97	21.62	132
8	—	B08B-F31DK-GGR	11.43	17.78	25.43	108
10	—	B10B-F31DK-GGR	15.24	21.59	29.24	96
12	—	B12B-F31DK-GGR	19.05	25.40	33.05	84
16	—	B16B-F31DK-GGR	26.67	33.02	40.67	72
20	—	B20B-F31DK-GGR	34.29	40.64	48.29	60

Material and Finish

Tab contact: Copper alloy, nickel-undercoated, selective gold-plated
Housing: Glass-filled PBT, UL94V-0, black
Reinforcement: Copper alloy, nickel-undercoated, selective gold-plated

RoHS compliance This product displays (LF)(AU) on a label.
Note: 1. Contact JST about the headers supplied in magazine stick.
2. Contact JST about 0.76 μm gold-plated product and tin-plated product.

Header (Side entry type)



Circuits	Keying	Model No.	Dimensions (mm)			Q'ty/box
			A	B	C	
6	—	S06B-F31DK-GGR	7.62	15.24	21.62	88
8	—	S08B-F31DK-GGR	11.43	19.05	25.43	72
10	—	S10B-F31DK-GGR	15.24	22.86	29.24	64
12	—	S12B-F31DK-GGR	19.05	26.67	33.05	56
16	—	S16B-F31DK-GGR	26.67	34.29	40.67	48
20	—	S20B-F31DK-GGR	34.29	41.91	48.29	40

Material and Finish

Tab contact: Copper alloy, nickel-undercoated, selective gold-plated
Housing: Glass-filled PBT, UL94V-0, black
Reinforcement: Copper alloy, nickel-undercoated, selective gold-plated

RoHS compliance This product displays (LF)(AU) on a label.
Note: 1. Contact JST about the headers supplied in magazine stick.
2. Contact JST about 0.76 μm gold-plated product and tin-plated product.

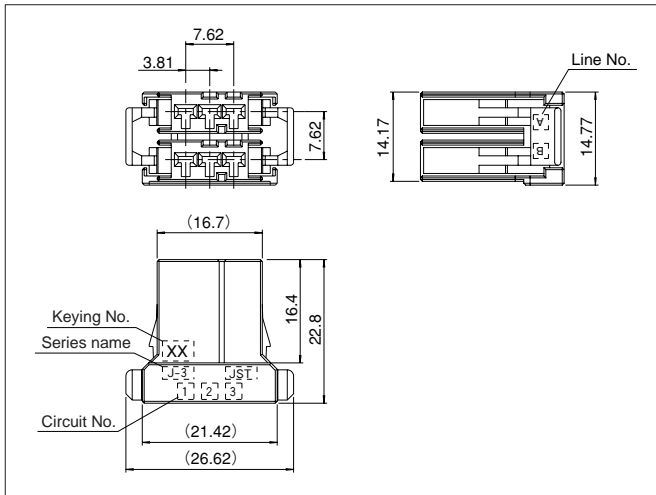
J300 SERIES/J310M

Assembly layout

		When mating with J310M receptacle	When mating with J310S receptacle modular
Wire-to-board	Top entry type		
	Side entry type		

J300 SERIES/J310M

Receptacle housing



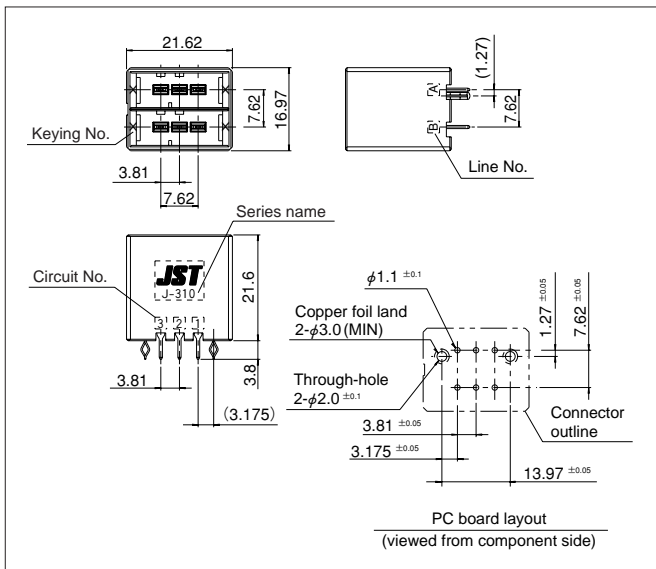
Circuits	Keying	Model No.	Q'ty/bag
6	XX	F31FMS-06V-KXX	100
	YY	F31FMS-06V-KYY	100
	XY	F31FMS-06V-KXY	100

Material

Glass-filled PBT, UL94V-0, black

RoHS compliance

Header (Top entry type)



Circuits	Keying	Model No.	Q'ty/box
6	XX	B06B-F31MK-GGXXR	132
	YY	B06B-F31MK-GGYR	132
	XY	B06B-F31MK-GGXYR	132

Material and Finish

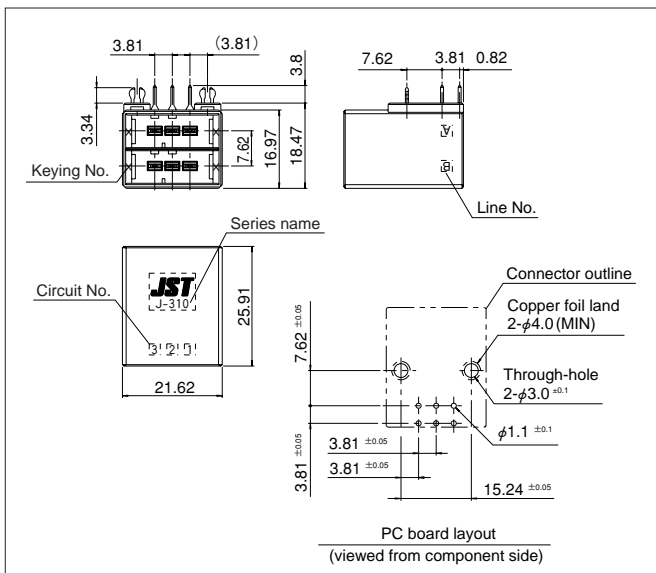
Tab contact: Copper alloy, nickel-undercoated, selective gold-plated
Housing: Glass-filled PBT, UL94V-0, black
Reinforcement: Copper alloy, nickel-undercoated, selective gold-plated

RoHS compliance This product displays (LF)(AU) on a label.

Note: 1. Contact JST about the headers supplied in magazine stick.

2. Contact JST about 0.76 μm gold-plated product and tin-plated product.

Header (Side entry type)



Circuits	Keying	Model No.	Q'ty/box
6	XX	S06B-F31MK-GGXXR	88
	YY	S06B-F31MK-GGYR	88
	XY	S06B-F31MK-GGXYR	88

Material and Finish

Tab contact: Copper alloy, nickel-undercoated, selective gold-plated
Housing: Glass-filled PBT, UL94V-0, black
Reinforcement: Copper alloy, nickel-undercoated, selective gold-plated

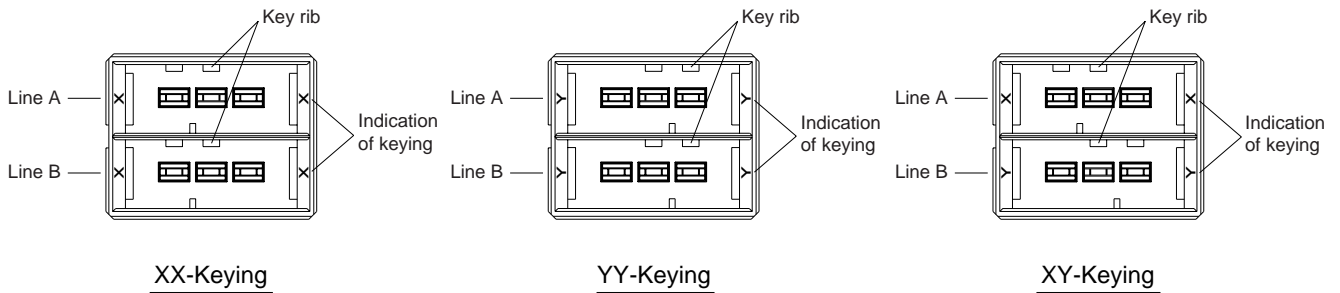
RoHS compliance This product displays (LF)(AU) on a label.

Note: 1. Contact JST about the headers supplied in magazine stick.

2. Contact JST about 0.76 μm gold-plated product and tin-plated product.

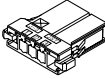
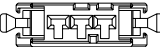


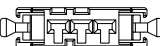


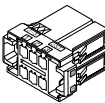
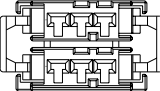
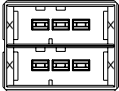
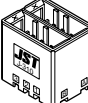
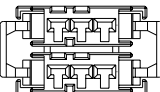
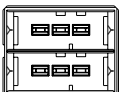
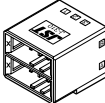
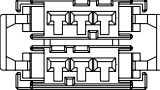

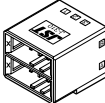
Keying

J310M series have mis-insertion preventive keying.
Available in 3 types – XX-Keying, YY-Keying and XY-Keying.
(Headers viewed from the mating side are shown below.)



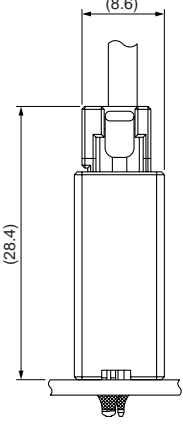
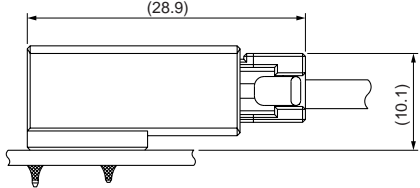
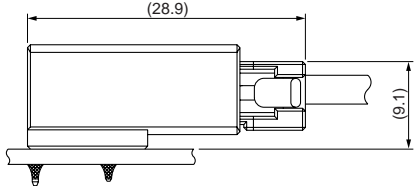
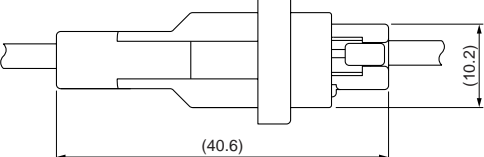
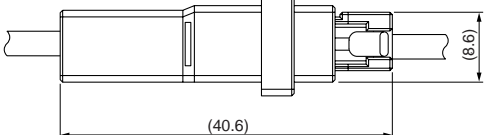
List of combinations

With the combination of the J310M headers and the J310M/J310S (3 circuits) receptacle housings, the following modular combinations are possible.

Receptacle housing		Header				
		Top entry type		Side entry type		
Single-row 3 circuits (J310S) 	<u>X-Keying</u> F31FSS-03V-KX		Single-row 3 circuits (J310S) 	Single-row 3 circuits (J310S) 	<u>X-Keying</u> S03B-F31SK-GGXR	
	<u>Y-Keying</u> F31FSS-03V-KY			<u>Y-Keying</u> B03B-F31SK-GGYR		<u>Y-Keying</u> S03B-F31SK-GGYR
Double-row 6 circuits (J310M) 	<u>XX-Keying</u> F31FMS-06V-KXX			Double-row 6 circuits (J310M) 	<u>XX-Keying</u> S06B-F31MK-GGXR	
	<u>YY-Keying</u> F31FMS-06V-KYY			<u>YY-Keying</u> B06B-F31MK-GGYR		<u>YY-Keying</u> S06B-F31MK-GGYR
	<u>XY-Keying</u> F31FMS-06V-KXY			<u>XY-Keying</u> B06B-F31MK-GGYR		<u>XY-Keying</u> S06B-F31MK-GGYR

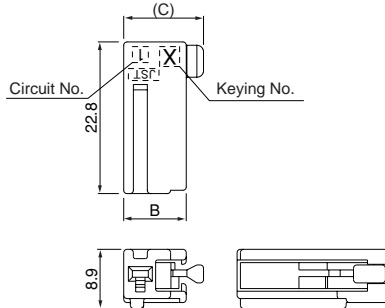
J300 SERIES/J320S

Assembly layout

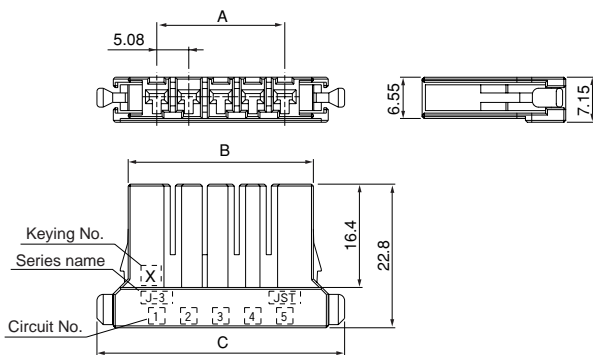
<p>Wire-to-board</p>	<p><Top entry type></p> 	<p><Side entry type></p> <ul style="list-style-type: none"> • Normal type  <ul style="list-style-type: none"> • Reverse type 
<p>Wire-to-wire</p>	<p><Free hanging type / Panel mounting type (Screw type, Housing lock type)></p> <ul style="list-style-type: none"> • Single circuit 	<ul style="list-style-type: none"> • 2 to 4 circuits 

Receptacle housing

• Single circuit



• 2 to 6 circuits



Circuits	Keying	Model No.	Dimensions (mm)			Q'ty/bag
			A	B	C	
1	X	F32FSS-01V-KX	—	9.40	12.00	200
	Y	F32FSS-01V-KY	—	9.40	12.00	200
2	X	F32FSS-02V-KX	5.08	14.16	24.08	200
	Y	F32FSS-02V-KY	5.08	14.16	24.08	200
3	X	F32FSS-03V-KX	10.16	19.24	29.16	200
	Y	F32FSS-03V-KY	10.16	19.24	29.16	200
4	X	F32FSS-04V-KX	15.24	24.32	34.24	200
	Y	F32FSS-04V-KY	15.24	24.32	34.24	200
5	X	F32FSS-05V-KX	20.32	29.40	39.32	200
	Y	F32FSS-05V-KY	20.32	29.40	39.32	200
6	X	F32FSS-06V-KX	25.40	34.48	44.40	100
	Y	F32FSS-06V-KY	25.40	34.48	44.40	100

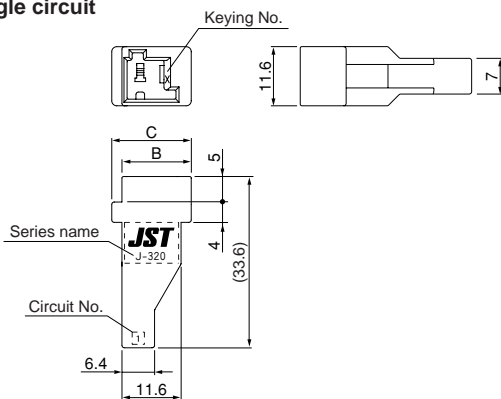
Material

Glass-filled PBT, UL94V-0, black

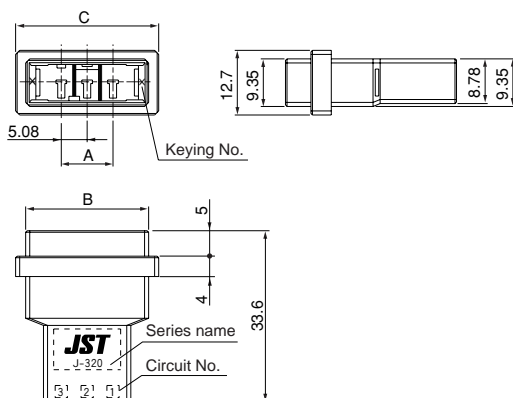
RoHS compliance

Tab housing (Free hanging type)

• Single circuit



• 2 to 4 circuits



Circuits	Keying	Model No.	Dimensions (mm)			Q'ty/bag
			A	B	C	
1	X	F32MSF-01V-KX	—	13.60	15.60	150
	Y	F32MSF-01V-KY	—	13.60	15.60	150
2	X	F32MSF-02V-KX	5.08	19.08	23.03	200
	Y	F32MSF-02V-KY	5.08	19.08	23.03	200
3	X	F32MSF-03V-KX	10.16	24.16	28.11	200
	Y	F32MSF-03V-KY	10.16	24.16	28.11	200
4	X	F32MSF-04V-KX	15.24	29.24	33.19	200
	Y	F32MSF-04V-KY	15.24	29.24	33.19	200

Material

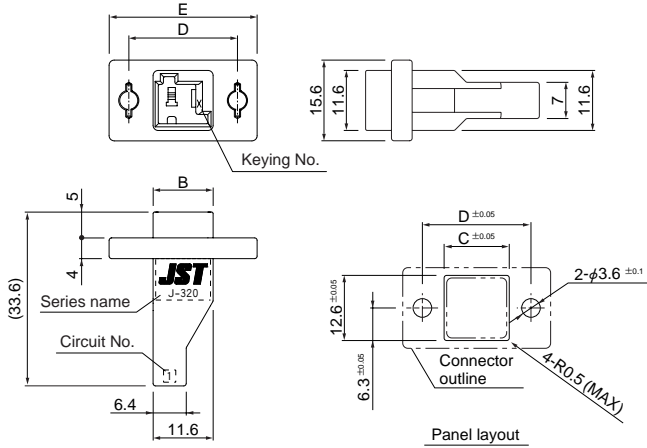
Glass-filled PBT, UL94V-0, black

RoHS compliance

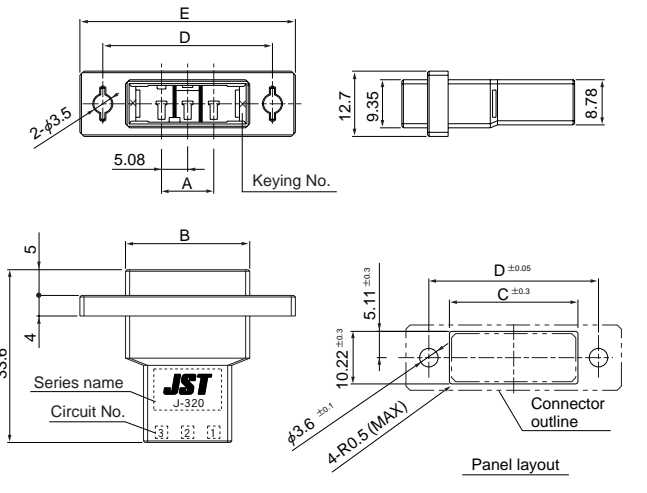
J300 SERIES/J320S

Tab housing (Panel mounting type)

• Single circuit



• 2 to 4 circuits



Circuits	Keying	Model No.	Dimensions (mm)					Q'ty /bag
			A	B	C	D	E	
1	X	F32MSP-01V-KX	—	11.60	12.60	21.00	28.60	150
	Y	F32MSP-01V-KY	—	11.60	12.60	21.00	28.60	150
2	X	F32MSP-02V-KX	5.08	19.08	20.00	28.00	36.83	200
	Y	F32MSP-02V-KY	5.08	19.08	20.00	28.00	36.83	200
3	X	F32MSP-03V-KX	10.16	24.16	25.00	33.00	41.91	200
	Y	F32MSP-03V-KY	10.16	24.16	25.00	33.00	41.91	200
4	X	F32MSP-04V-KX	15.24	29.24	30.00	38.00	46.99	200
	Y	F32MSP-04V-KY	15.24	29.24	30.00	38.00	46.99	200

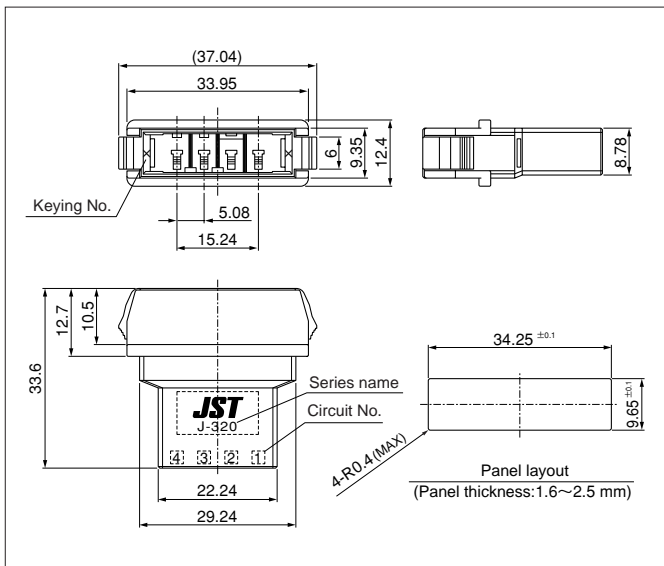
Material

Glass-filled PBT, UL94V-0, black

RoHS compliance

- Note: 1. Punch holes in the panel. Burrs must be removed.
 2. The strength of the panel must be considered when punching two or more holes.
 3. The connector must be inserted from the same side as the hole is punched.

Tab housing (Panel mounting type Housing lock type)



Circuits	Keying	Model No.	Q'ty/bag
4	X	F32MSPL-04V-KX	90

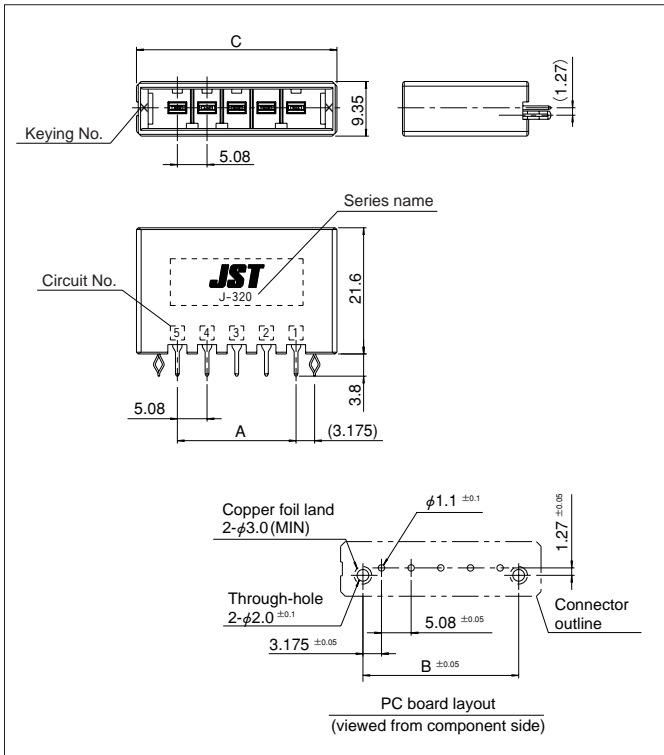
Material

Glass-filled PBT, UL94V-0, black

RoHS compliance

- Note: 1. Punch holes in the panel. Burrs must be removed.
 2. The strength of the panel must be considered when punching two or more holes.
 3. The connector must be inserted from the same side as the hole is punched.
 4. Not TÜV approved.

Header (Top entry type)



Circuits	Keying	Model No.	Dimensions (mm)			Q'ty/box
			A	B	C	
2	X	B02B-F32SK-GGXR	5.08	11.43	19.08	240
	Y	B02B-F32SK-GGYR	5.08	11.43	19.08	240
3	X	B03B-F32SK-GGXR	10.16	16.51	24.16	200
	Y	B03B-F32SK-GGYR	10.16	16.51	24.16	200
4	X	B04B-F32SK-GGXR	15.24	21.59	29.24	160
	Y	B04B-F32SK-GGYR	15.24	21.59	29.24	160
5	X	B05B-F32SK-GGXR	20.32	26.67	34.32	140
	Y	B05B-F32SK-GGYR	20.32	26.67	34.32	140
6	X	B06B-F32SK-GGXR	25.40	31.75	39.40	120
	Y	B06B-F32SK-GGYR	25.40	31.75	39.40	120

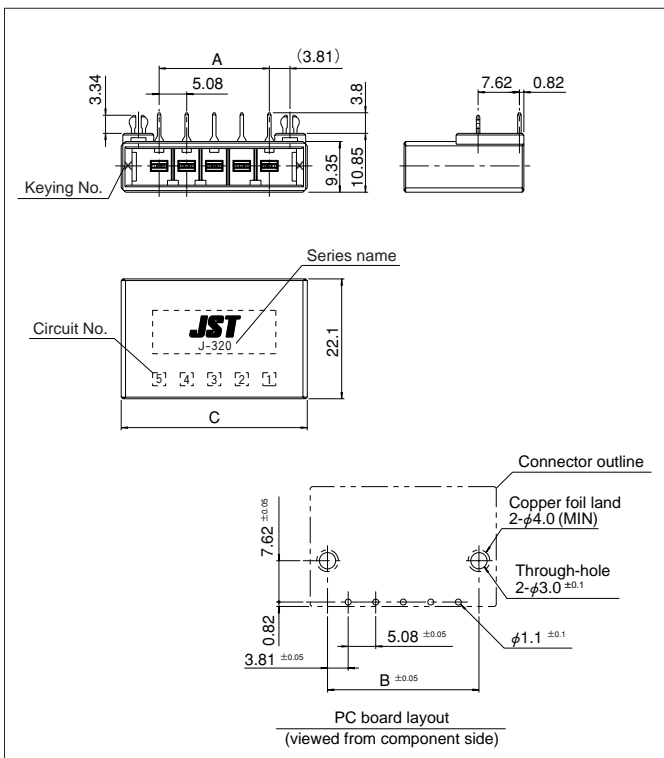
Material and Finish

Tab contact: Copper alloy, nickel-undercoated, selective gold-plated
Housing: Glass-filled PBT, UL94V-0, black
Reinforcement: Copper alloy, nickel-undercoated, selective gold-plated

RoHS compliance This product displays (LF)(AU) on a label.

Note: 1. Contact JST about the headers supplied in magazine stick.
2. Contact JST about 0.76 μm gold-plated product and tin-plated product.

Header (Side entry type)



Circuits	Keying	Model No.	Dimensions (mm)			Q'ty/box
			A	B	C	
2	X	S02B-F32SK-GGXR	5.08	12.70	19.08	180
	Y	S02B-F32SK-GGYR	5.08	12.70	19.08	180
3	X	S03B-F32SK-GGXR	10.16	17.78	24.16	150
	Y	S03B-F32SK-GGYR	10.16	17.78	24.16	150
4	X	S04B-F32SK-GGXR	15.24	22.86	29.24	120
	Y	S04B-F32SK-GGYR	15.24	22.86	29.24	120
5	X	S05B-F32SK-GGXR	20.32	27.94	34.32	105
	Y	S05B-F32SK-GGYR	20.32	27.94	34.32	105
6	X	S06B-F32SK-GGXR	25.40	33.02	39.40	90
	Y	S06B-F32SK-GGYR	25.40	33.02	39.40	90

Material and Finish

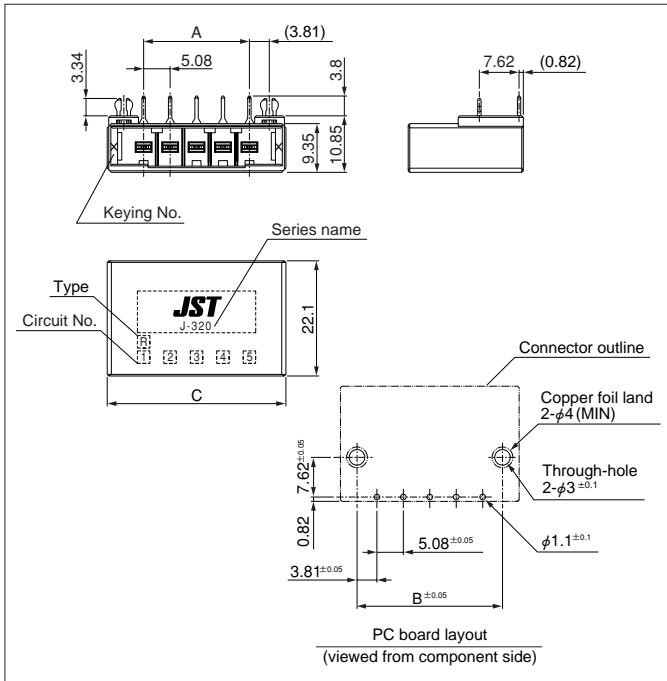
Tab contact: Copper alloy, nickel-undercoated, selective gold-plated
Housing: Glass-filled PBT, UL94V-0, black
Reinforcement: Copper alloy, nickel-undercoated, selective gold-plated

RoHS compliance This product displays (LF)(AU) on a label.

Note: 1. Contact JST about the headers supplied in magazine stick.
2. Contact JST about 0.76 μm gold-plated product and tin-plated product.

J300 SERIES/J320S

Header (Side entry type Reverse type)



Circuits	Keying	Model No.	Dimensions (mm)			Q'ty /box
			A	B	C	
5	X	SR05B-F32SK-GGXR	20.32	27.94	34.32	105
6	X	SR06B-F32SK-GGXR	25.40	33.02	39.40	90

Material and Finish

Tab contact: Copper alloy, nickel-undercoated, selective gold-plated
Housing: Glass-filled PBT, UL94V-0, black
Reinforcement: Copper alloy, nickel-undercoated, selective gold-plated

RoHS compliance This product displays (LF)(AU) on a label.

Note: 1. Contact JST about the headers supplied in magazine stick.

2. Contact JST about 0.76 μm gold-plated product and tin-plated product.

3. Not TÜV approved.

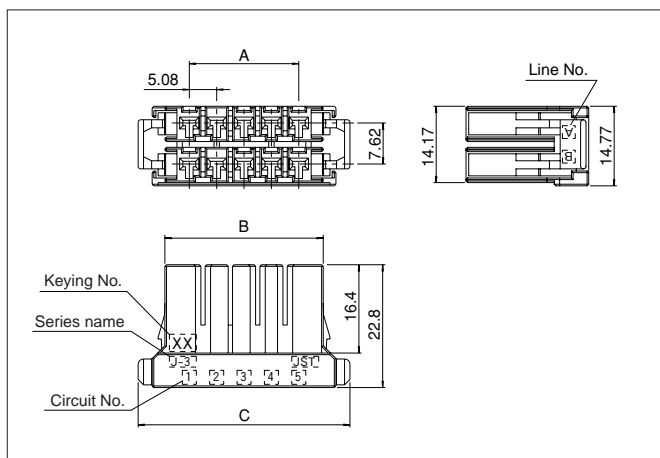
J300 SERIES/J320M

Assembly layout

		When mating with J320M receptacle	When mating with J320S receptacle modular
Wire-to-board	Top entry type		
	Side entry type		
Wire-to-wire	Free hanging type / Panel mounting type		

J300 SERIES/J320M

Receptacle housing



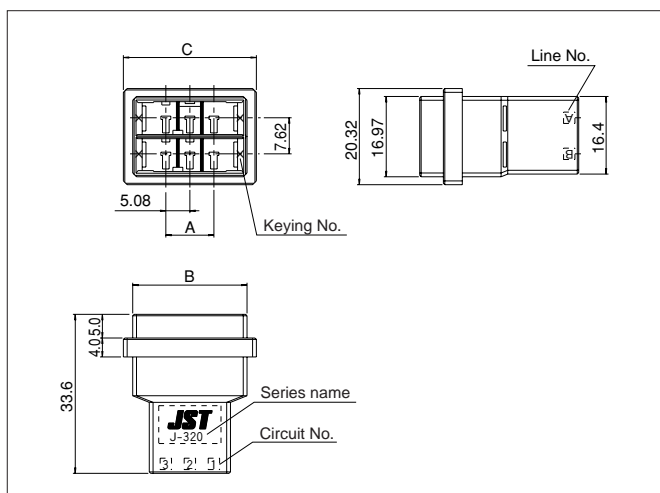
Circuits	Keying	Model No.	Dimensions (mm)			Q'ty /bag
			A	B	C	
6	XX	F32FMS-06V-KXX	10.16	19.24	29.16	100
	YY	F32FMS-06V-KYY	10.16	19.24	29.16	100
	XY	F32FMS-06V-KXY	10.16	19.24	29.16	100
10	XX	F32FMS-10V-KXX	20.32	29.40	39.32	100
	YY	F32FMS-10V-KYY	20.32	29.40	39.32	100
	XY	F32FMS-10V-KXY	20.32	29.40	39.32	100
12	XX	F32FMS-12V-KXX	25.40	34.48	44.40	100
	YY	F32FMS-12V-KYY	25.40	34.48	44.40	100
	XY	F32FMS-12V-KXY	25.40	34.48	44.40	100
20	XX	F32FMS-20V-KXX	45.72	54.80	64.72	84(box)

Material

Glass-filled PBT, UL94V-0, black

RoHS compliance

Tab housing (Free hanging type)



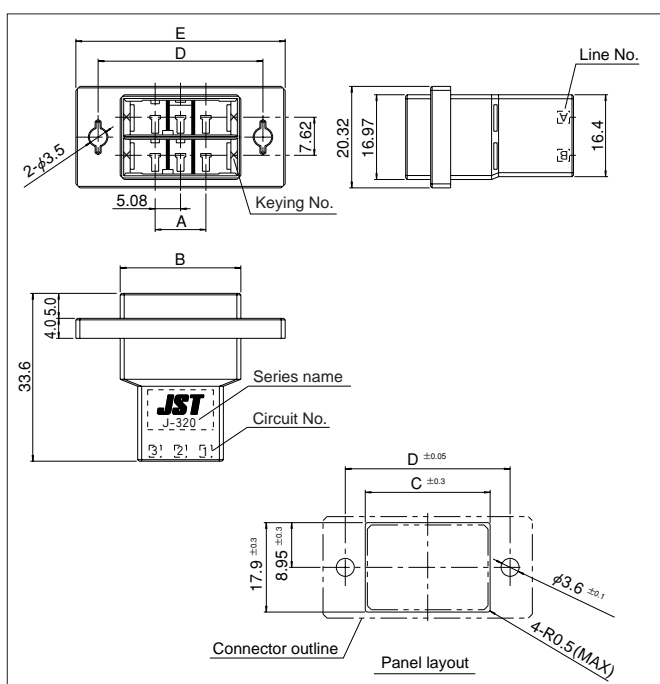
Circuits	Keying	Model No.	Dimensions (mm)			Q'ty /bag
			A	B	C	
6	XX	F32MDF-06V-KXX	10.16	24.16	28.11	100
	YY	F32MDF-06V-KYY	10.16	24.16	28.11	100
	XY	F32MDF-06V-KXY	10.16	24.16	28.11	100
12	XX	F32MDF-12V-KXX	25.40	39.40	43.35	100
	YY	F32MDF-12V-KYY	25.40	39.40	43.35	100
	XY	F32MDF-12V-KXY	25.40	39.40	43.35	100

Material

Glass-filled PBT, UL94V-0, black

RoHS compliance

Tab housing (Panel mounting type)



Circuits	Keying	Model No.	Dimensions (mm)					Q'ty /bag
			A	B	C	D	E	
6	XX	F32MDP-06V-KXX	10.16	24.16	25.00	33.00	41.91	100
	YY	F32MDP-06V-KYY	10.16	24.16	25.00	33.00	41.91	100
	XY	F32MDP-06V-KXY	10.16	24.16	25.00	33.00	41.91	100
12	XX	F32MDP-12V-KXX	25.40	39.40	41.00	49.00	57.91	100
	YY	F32MDP-12V-KYY	25.40	39.40	41.00	49.00	57.91	100
	XY	F32MDP-12V-KXY	25.40	39.40	41.00	49.00	57.91	100
20	XX	F32MDP-20V-KXX	45.72	59.72	61.00	70.00	78.23	42(box)

Material

Glass-filled PBT, UL94V-0, black

RoHS compliance

Note: 1. Punch holes in the panel. Burrs must be removed.

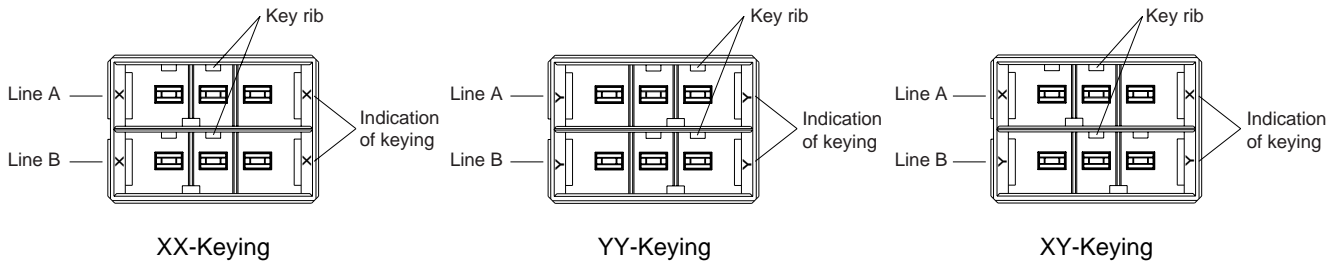
2. The strength of the panel must be considered when punching two or more holes.

3. The connector must be inserted from the same side as the hole is punched.

J300 SERIES/J320M

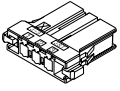



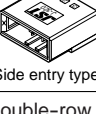
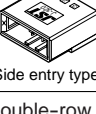
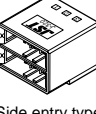
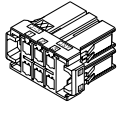
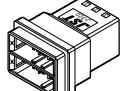
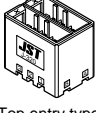
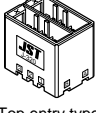
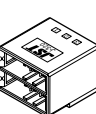
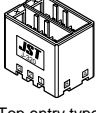
Keying

J320M series have mis-insertion preventive keying.
Available in 3 types – XX-Keying, YY-Keying and XY-Keying.
(Headers viewed from the mating side are shown below.)



List of combinations

With the combination of the J320M headers and the J320M/J320S receptacle housings, the following modular combinations are possible.

Receptacle housing		Tab housing		Header	
Single-row 3, 4, 5, 6 circuits (J320S) 	<u>X-Keying</u> F32FSS-■V-KX	 Free hanging type  Panel mounting type	<u>X-Keying</u> Free hanging type F32MSF-■V-KX Panel mounting type F32MSP-■V-KX	Single-row 3, 4, 5, 6 circuits (J320S)  Top entry type  Side entry type	<u>X-Keying</u> Top entry type B■B-F32SK-GGXR Side entry type S■B-F32SK-GGXR
	<u>Y-Keying</u> F32FSS-■V-KY		<u>Y-Keying</u> Free hanging type F32MSF-■V-KY Panel mounting type F32MSP-■V-KY	Top entry type  Side entry type S■B-F32SK-GGYR	<u>Y-Keying</u> Top entry type B■B-F32SK-GGYR Side entry type S■B-F32SK-GGYR
Double-row 6,10,12,20 circuits (J320M) 	<u>XX-Keying</u> F32FMS-■V-KXX	 Free hanging type  Panel mounting type	<u>XX-Keying</u> Free hanging type F32MDF-■V-KXX Panel mounting type F32MDP-■V-KXX	Double-row 6, 8, 10, 12 circuits (J320M)  Top entry type  Side entry type	<u>XX-Keying</u> Top entry type B■B-F32MK-GGXXR Side entry type S■B-F32MK-GGXXR
	<u>YY-Keying</u> F32FMS-■V-KYY		<u>YY-Keying</u> Free hanging type F32MDF-■V-KYY Panel mounting type F32MDP-■V-KYY	Top entry type  Side entry type S■B-F32MK-GGYR	<u>YY-Keying</u> Top entry type B■B-F32MK-GGYR Side entry type S■B-F32MK-GGYR
	<u>XY-Keying</u> F32FMS-■V-KXY		<u>XY-Keying</u> Free hanging type F32MDF-■V-KXY Panel mounting type F32MDP-■V-KXY	Side entry type  Side entry type S■B-F32MK-GGYR	<u>XY-Keying</u> Top entry type B■B-F32MK-GGYR Side entry type S■B-F32MK-GGYR

Note: Number of circuits is indicated in ■■.

J300 SERIES/J320T

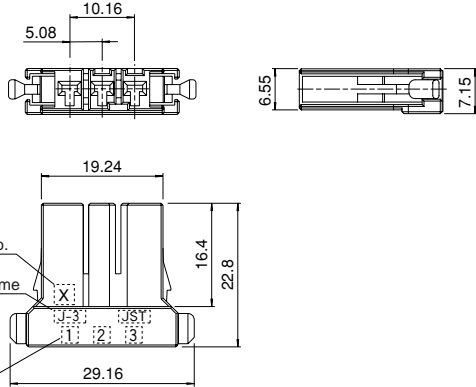
Assembly layout

		When mating with J320S receptacle	When mating with J320M receptacle
Wire-to-board	Side entry type		

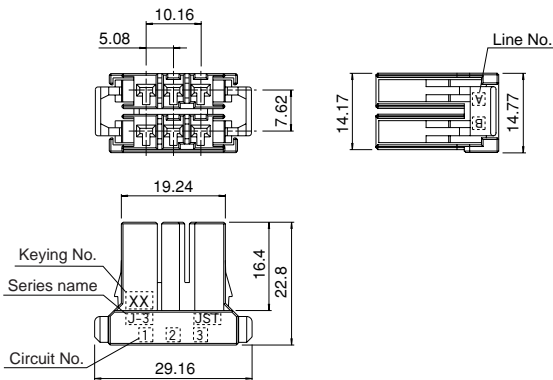
J300 SERIES/J320T

Receptacle housing

Single-row type • 3 circuits



Double-row type • 6 circuits



Circuits	Keying	Model No.	Q'ty/bag
3	X	F32FSS-03V-KXX	200
	Y	F32FSS-03V-KY	200

Material

Glass-filled PBT, UL94V-0, black

RoHS compliance

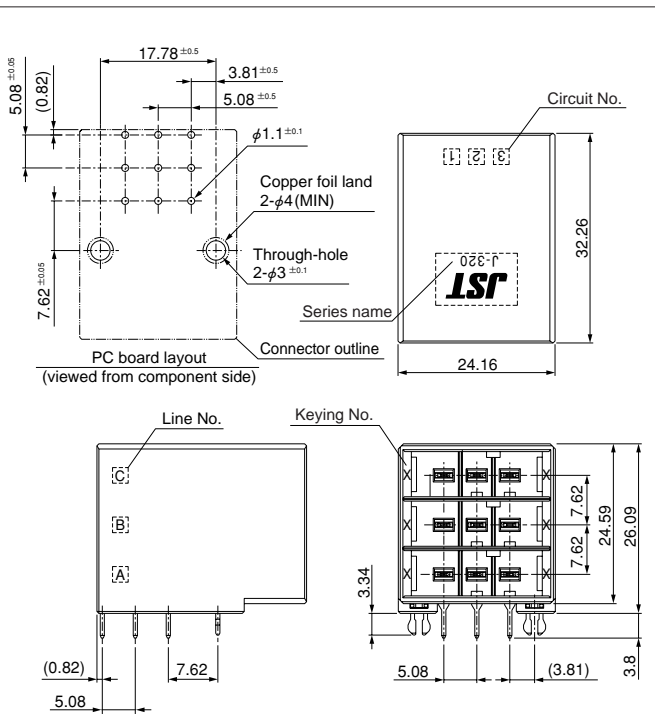
Circuits	Keying	Model No.	Q'ty/bag
6	XX	F32FMS-06V-KXX	100
	YY	F32FMS-06V-KYY	100
	XY	F32FMS-06V-KXY	100

Material

Glass-filled PBT, UL94V-0, black

RoHS compliance

Header (Side entry type)



Circuits	Keying	Model No.	Q'ty/box
9	XXX	S09B-F32TK-GGXAR	42
	XXY	S09B-F32TK-GGXBR	42
	XYX	S09B-F32TK-GGXCR	42
	YYX	S09B-F32TK-GGXDR	42

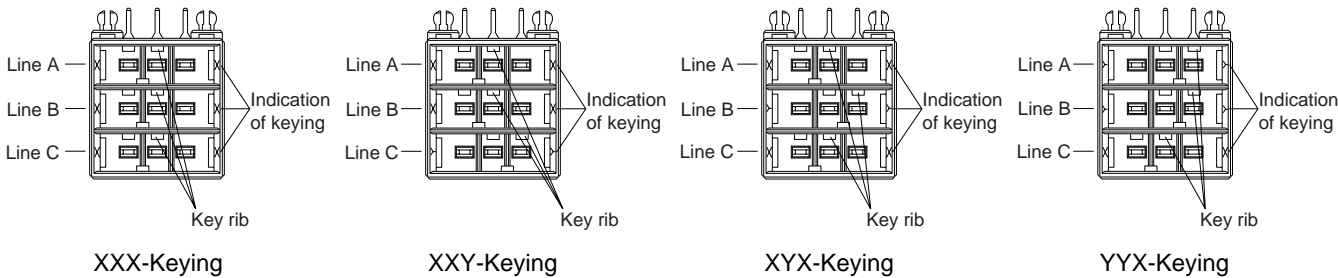
Material and Finish

Tab contact: Copper alloy, nickel-undercoated, selective gold-plated
Housing: Glass-filled PBT, UL94V-0, black
Reinforcement: Copper alloy, nickel-undercoated, selective gold-plated

RoHS compliance This product displays (LF)(AU) on a label.
Note: Contact JST about 0.76 μm gold-plated product and tin-plated product.

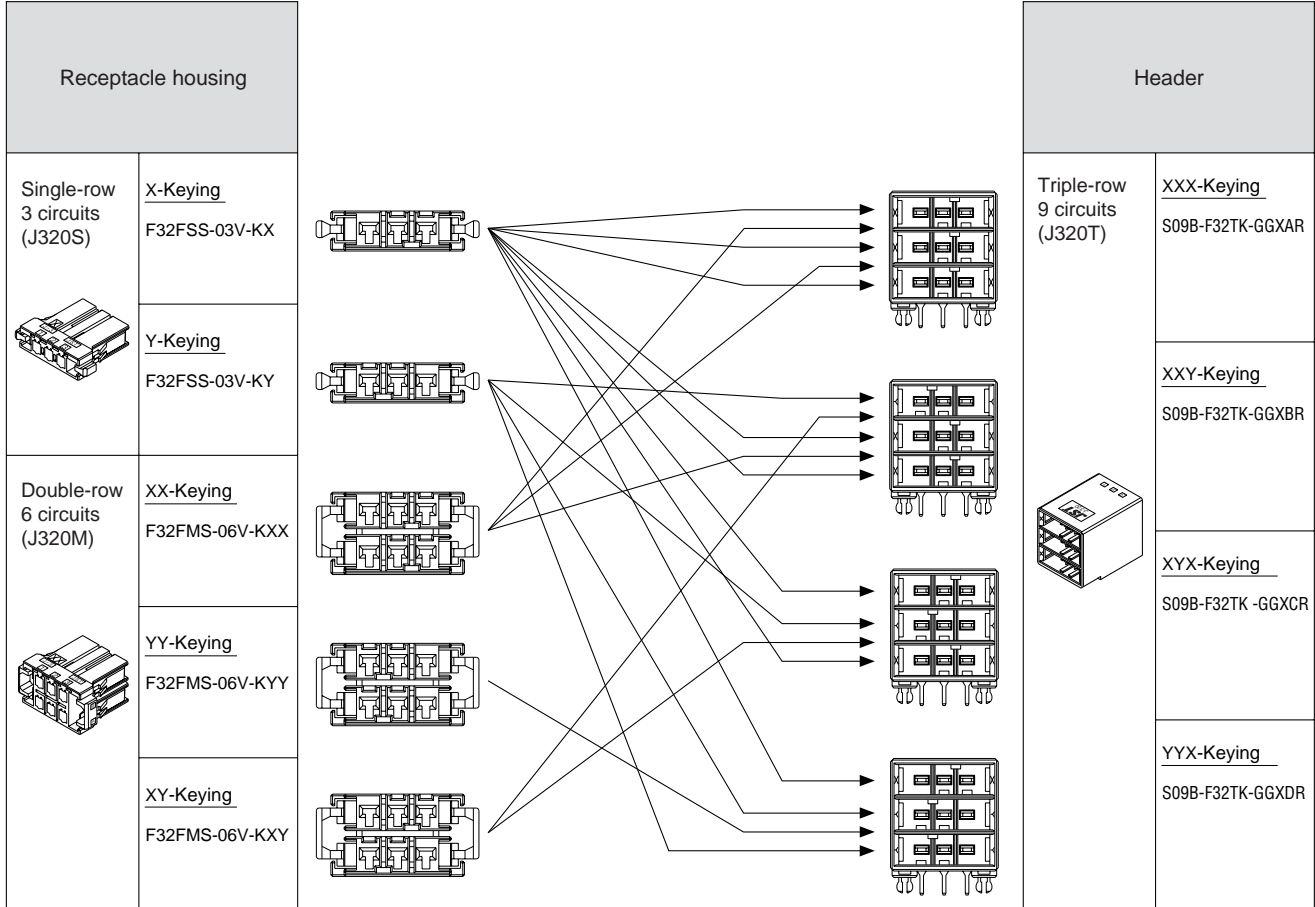
Keying

J320T series have mis-insertion preventive keying.
 Available in 4 types – XXX-Keying, XXY-Keying, XYX-Keying and YYX-Keying.
 (Headers viewed from the mating side are shown below.)



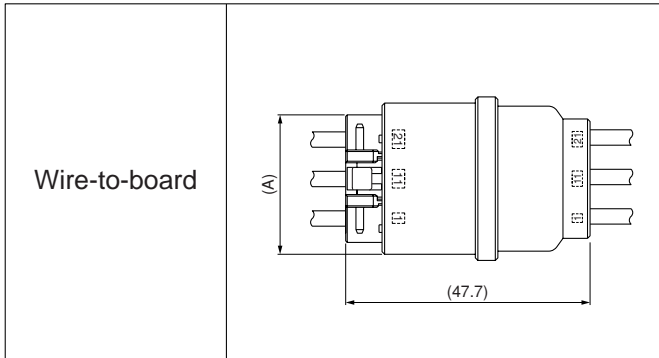
List of combinations

With the combination of the J320T headers and the J320S/J320M receptacle housings, the following modular combinations are possible.



J300 SERIES/J330

Assembly layout



Specifications

• Current rating: (AC, DC) Unit: A

Circuits	Wire size (AWG)				Dimensions (mm)
	#14	#16	#18	#20	A
30	8.5	7.0	5.5	4.0	27.2
40	8.5	7.0	5.5	4.0	34.9

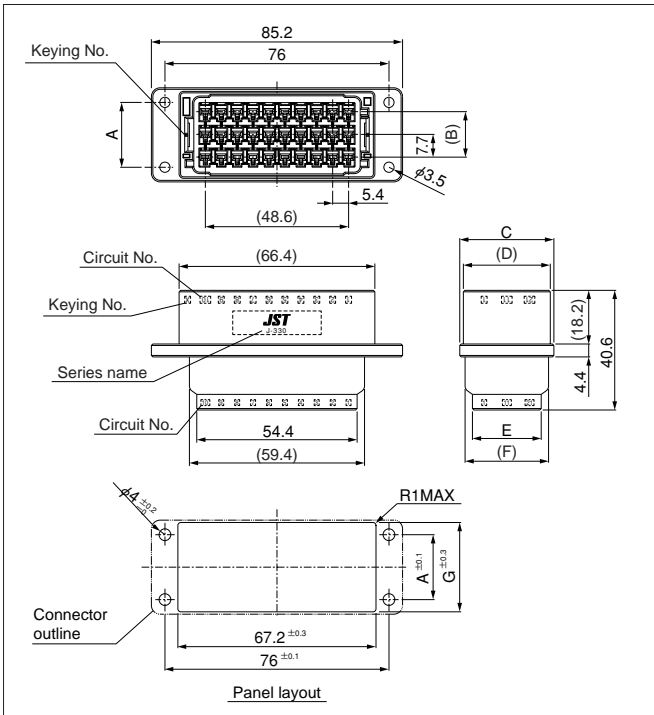
- Voltage rating: 600 V AC, DC
- Temperature range: -55°C to +105°C
(including temperature rise in applying electrical current)
- Contact resistance: Initial value/ 5 mΩ max.
After environmental tests/ 10 mΩ max.
- Insulation resistance: 1,000 MΩ min.
- Withstanding voltage: 2,200 VAC/minute
- Applicable wire: AWG #28 to #14

* Refer to "General Instruction and Notice when using Terminals and Connectors" at the end of this catalog.

* Contact JST for details.

* Compliant with RoHS.

Receptacle housing (Reverse type Panel mounting type)



Circuits	Keying	Model No.	Dimensions (mm)							Q'ty /box
			A	B	C	D	E	F	G	
30	X	F33FRTPA-30V-KX	22.0	15.4	31.9	29.5	23.3	28.3	30.3	56
	Y	F33FRTPA-30V-SY	22.0	15.4	31.9	29.5	23.3	28.3	30.3	56
	Z	F33FRTPA-30V-EZ	22.0	15.4	31.9	29.5	23.3	28.3	30.3	56
40	X	F33FRFPA-40V-KX	29.7	23.1	39.6	37.2	31.0	36.0	38.0	12
	Y	F33FRFPA-40V-SY	29.7	23.1	39.6	37.2	31.0	36.0	38.0	12
	Z	F33FRFPA-40V-EZ	29.7	23.1	39.6	37.2	31.0	36.0	38.0	12
	W	F33FRFPA-40V-MW	29.7	23.1	39.6	37.2	31.0	36.0	38.0	12

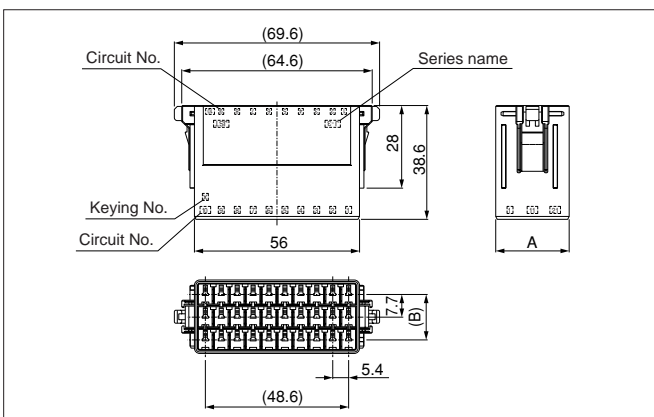
Material

Glass-filled PBT, UL94V-0, X-Keying (black), Y-Keying (white), Z-Keying (blue), W-Keying (green)

RoHS compliance

- Note: 1. Punch holes in the panel. Burrs must be removed.
2. The strength of the panel must be considered when punching two or more holes.
3. The connector must be inserted from the same side as the hole is punched.
4. Not CSA/UL/TÜV approved.

Tab housing (Reverse type)



Circuits	Keying	Model No.	Dimensions (mm)		Q'ty /box
			A	B	
30	X	F33MRFS-30V-KX	24.9	15.4	64
	Y	F33MRFS-30V-SY	24.9	15.4	64
	Z	F33MRFS-30V-EZ	24.9	15.4	64
40	X	F33MRFS-40V-KX	32.6	23.1	64
	Y	F33MRFS-40V-SY	32.6	23.1	64
	Z	F33MRFS-40V-EZ	32.6	23.1	64
	W	F33MRFS-40V-MW	32.6	23.1	64

Material

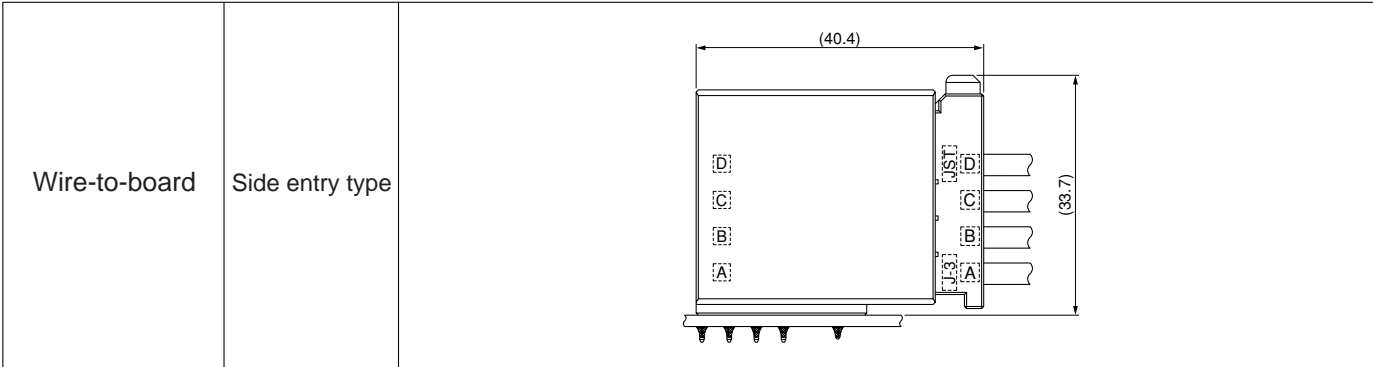
Glass-filled PBT, UL94V-0, X-Keying (black), Y-Keying (white), Z-Keying (blue), W-Keying (green)

RoHS compliance

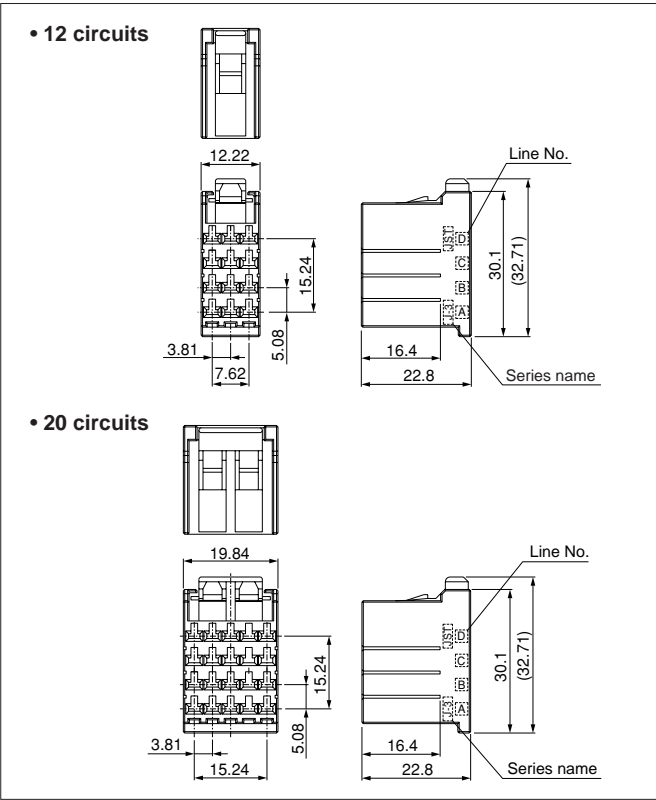
Note: Not CSA/UL/TÜV approved.

J300 SERIES/J340F

Assembly layout



Receptacle housing



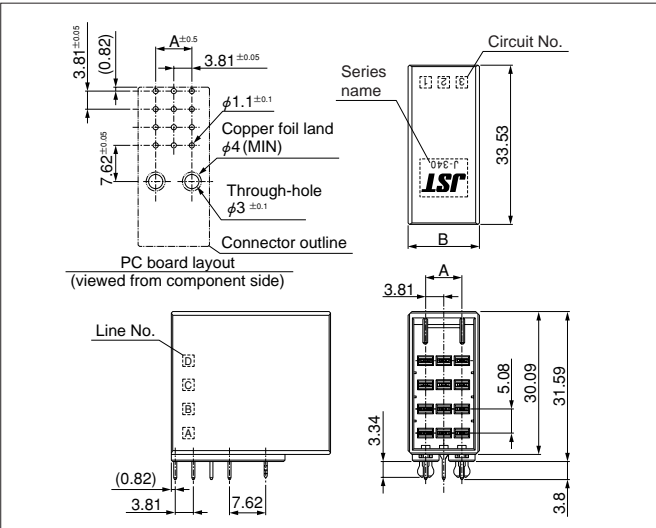
Circuits	Keying	Model No.	Q'ty/bag
12	—	F34FFC-12V-K	100
20	—	F34FFC-20V-K	100

Material

Glass-filled PBT, UL94V-0, black

RoHS compliance

Header (Side entry type)



Circuits	Keying	Model No.	Dimensions (mm)		Q'ty/box
			A	B	
12	—	SC12B-F34FK-GGR	7.62	15.02	63
20	—	SC20B-F34FK-GGR	15.24	22.64	42

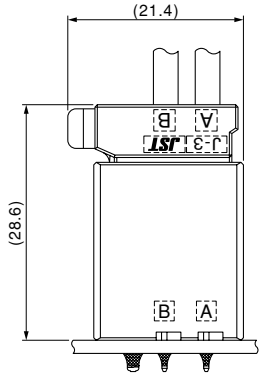
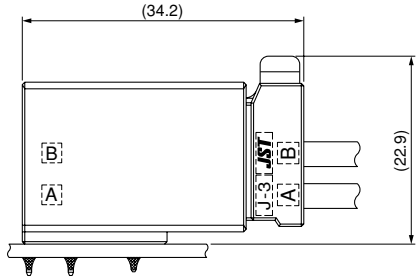
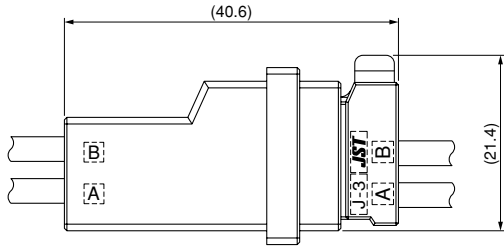
Material and Finish

Tab contact: Copper alloy, nickel-undercoated, selective gold-plated
Housing: Glass-filled PBT, UL94V-0, black
Reinforcement: Copper alloy, nickel-undercoated, selective gold-plated

RoHS compliance This product displays (LF)(AU) on a label.
Note: Contact JST about 0.76 μm gold-plated product and tin-plated product.

J300 SERIES/J350D

Assembly layout

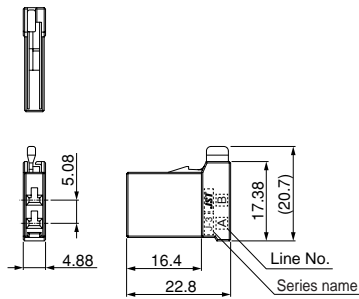
<p>Wire-to-board</p>	<p><Top entry type></p> 	<p><Side entry type></p> 
<p>Wire-to-wire</p>	<p><Free hanging type / Panel mounting type></p> 	

*When mating with receptacle housing (2-circuit)

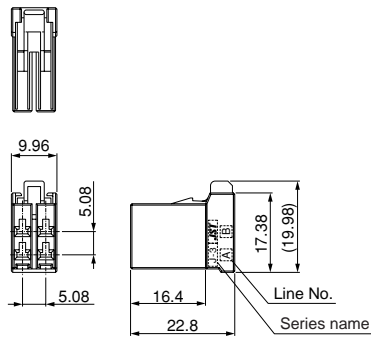
J300 SERIES/J350D

Receptacle housing

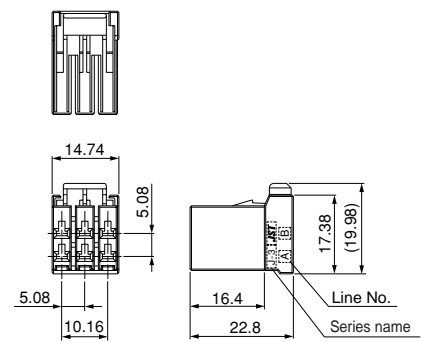
• 2 circuits



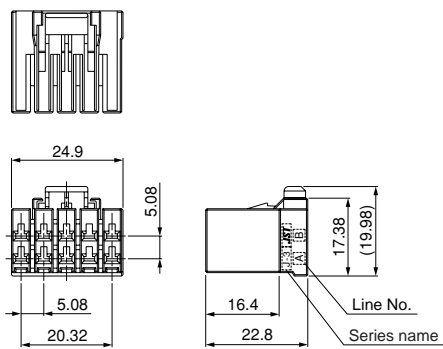
• 4 circuits



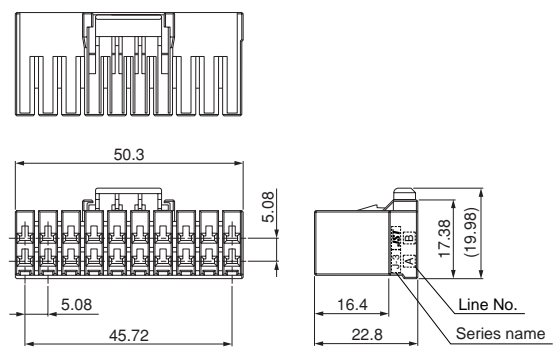
• 6 circuits



• 10 circuits



• 20 circuits



Circuits	Keying	Model No.	Q'ty/bag
2	—	F35FDC-02V-K	200
4	—	F35FDC-04V-K	200
6	—	F35FDC-06V-K	200
10	—	F35FDC-10V-K	100
20	—	F35FDC-20V-K	100

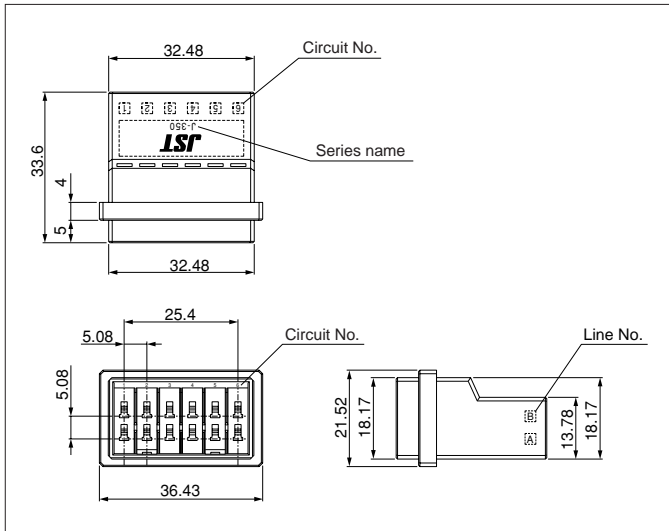
Material

Glass-filled PBT, UL94V-0, black

RoHS compliance

J300 SERIES/J350D

Tab housing (Free hanging type)



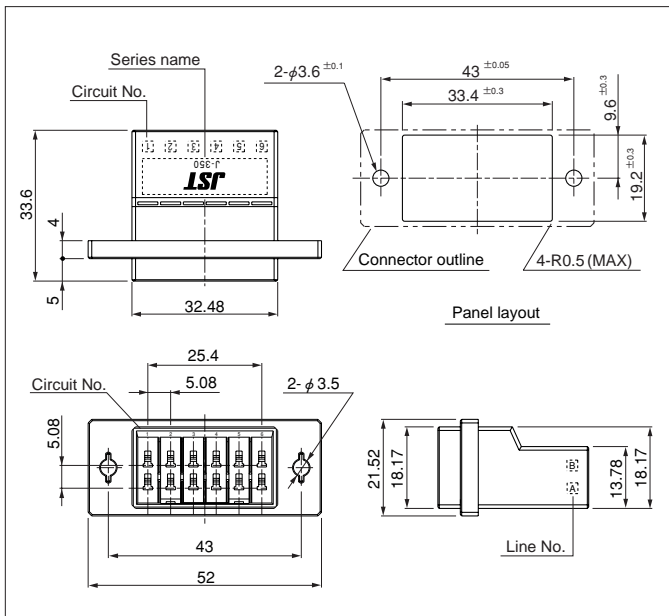
Circuits	Keying	Model No.	Q'ty/box
12	—	F35MDF-12V-K	50
Material			

Glass-filled PBT, UL94V-0, black

RoHS compliance

Note: Not TÜV approved.

Tab housing (Panel mounting type)



Circuits	Keying	Model No.	Q'ty/box
12	—	F35MDP-12V-K	41
Material			

Glass-filled PBT, UL94V-0, black

RoHS compliance

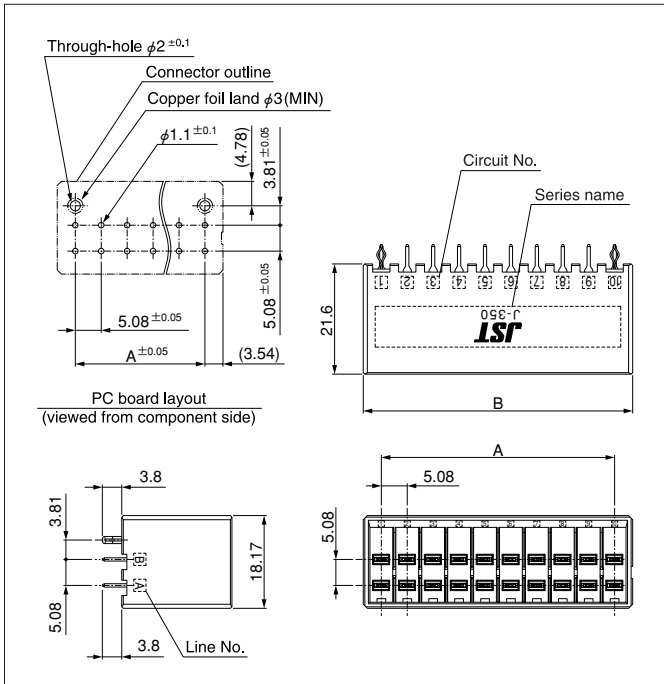
Note: 1. Punch holes in the panel. Burrs must be removed.

2. The strength of the panel must be considered when punching two or more holes.

3. The connector must be inserted from the same side as the hole is punched.

4. Not TÜV approved.

Header (Top entry type)



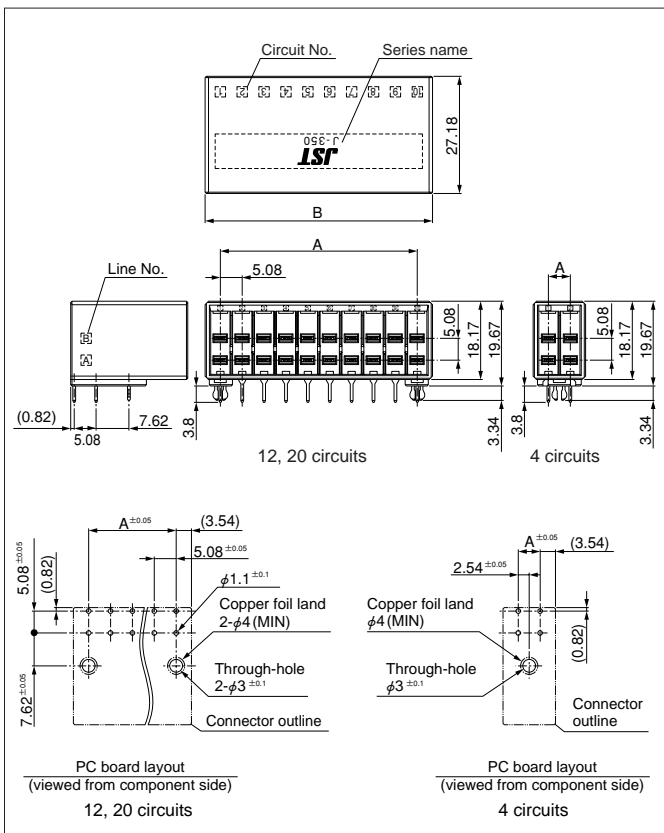
Circuits	Keying	Model No.	Dimensions (mm)		Q'ty/box
			A	B	
12	—	BC12B-F35DK-GGR	25.40	32.48	56
20	—	BC20B-F35DK-GGR	45.72	52.80	32

Material and Finish

Tab contact: Copper alloy, nickel-undercoated, selective gold-plated
Housing: Glass-filled PBT, UL94V-0, black
Reinforcement: Copper alloy, nickel-undercoated, selective gold-plated

RoHS compliance This product displays (LF)(AU) on a label.
Note: Contact JST about 0.76 μ m gold-plated product and tin-plated product.

Header (Side entry type)



Circuits	Keying	Model No.	Dimensions (mm)		Q'ty/box
			A	B	
4	—	SC04B-F35DK-GGR	5.08	12.16	152
12	—	SC12B-F35DK-GGR	25.40	32.48	56
20	—	SC20B-F35DK-GGR	45.72	52.80	32

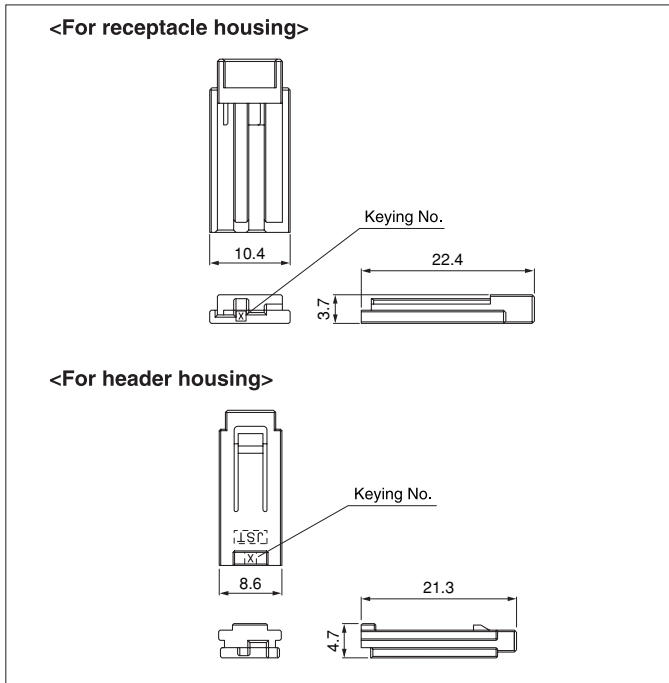
Material and Finish

Tab contact: Copper alloy, nickel-undercoated, selective gold-plated
Housing: Glass-filled PBT, UL94V-0, black
Reinforcement: Copper alloy, nickel-undercoated, selective gold-plated

RoHS compliance This product displays (LF)(AU) on a label.
Note: Contact JST about 0.76 μ m gold-plated product and tin-plated product.

J300 SERIES/KEYING BLOCK

Keying block



Circuits	Keying	Model No.	Q'ty/bag
For receptacle housing	X	J3KF-VR-X	1,000
	Y	J3KF-VY-Y	1,000
	Z	J3KF-VE-Z	1,000
	W	J3KF-VS-W	1,000
For header housing	X	J3KM-VR-X	1,000
	Y	J3KM-VY-Y	1,000
	Z	J3KM-VE-Z	1,000
	W	J3KM-VS-W	1,000

Material

Glass-filled PBT, UL94V-0, X-Keying (red), Y-Keying (yellow), Z-Keying (blue), W-Keying (white)

RoHS compliance

Note: Not CSA/UL/TÜV approved.

Features

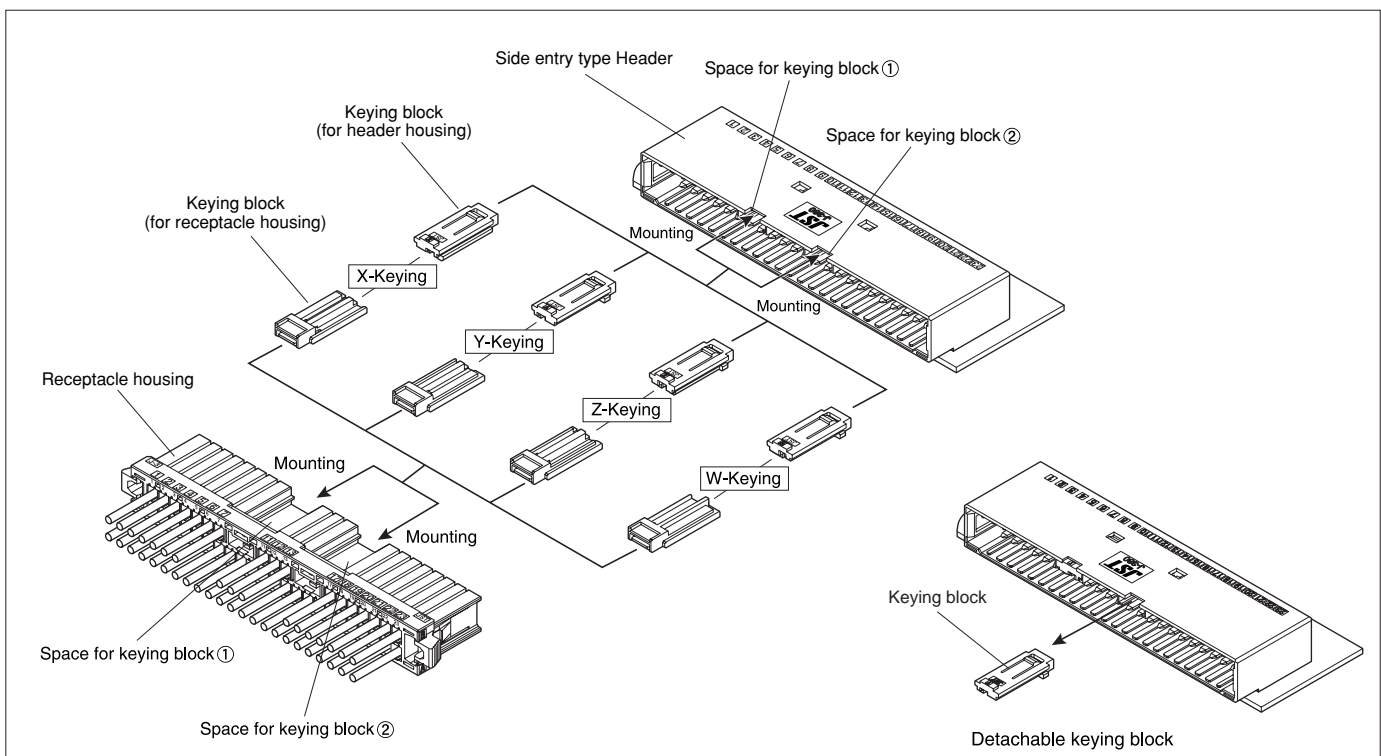
Mis-mating prevention keying block can be freely mounted to keying block space.

- 16 types of keying can be provided by mounting 4 types of keying block to 2 keying block spaces.
- Since a color varies on each type of keying, the kind of keying is easy to recognize.

Variation of keying

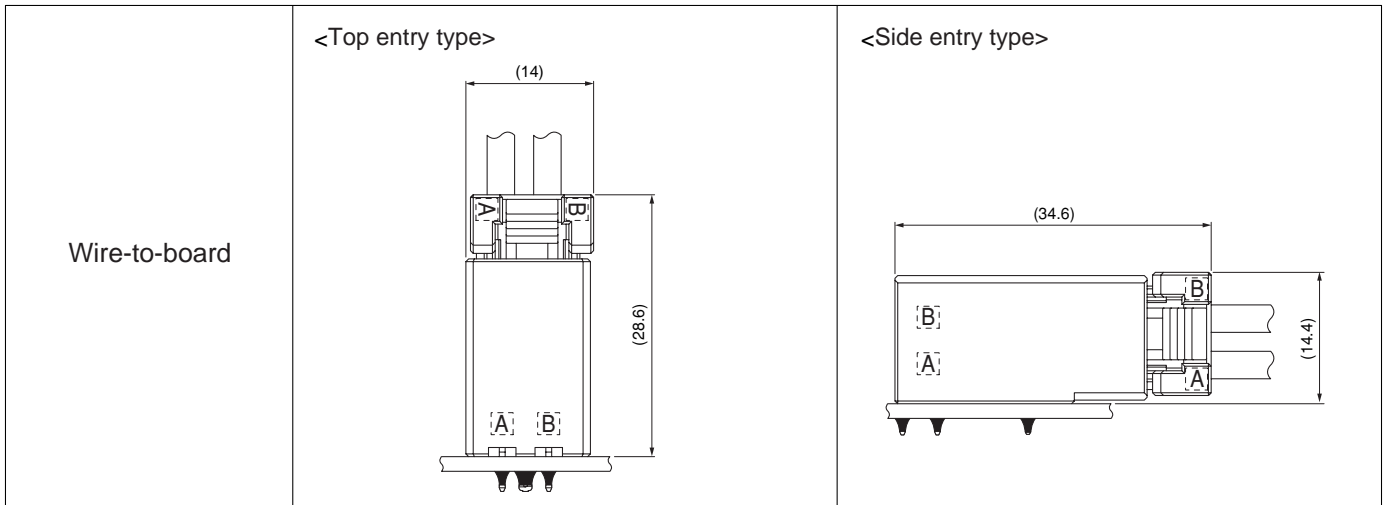
	X-Keying (red)	Y-Keying (yellow)	Z-Keying (blue)	W-Keying (white)
For header housing				
For receptacle housing				

How to use keying block (When using J380D)

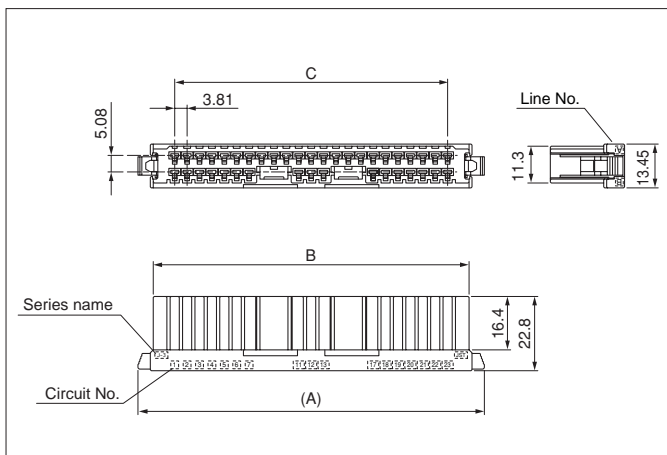


J300 SERIES/J380D (for keying block)

Assembly layout



Receptacle housing



Circuits	Keying	Model No.	Dimensions (mm)			Q'ty /bag
			A	B	C	
20	—	F38FDS-20V-KE	68.3	58.9	45.72	100
40	—	F38FDS-40V-KE	106.4	97.0	83.82	60

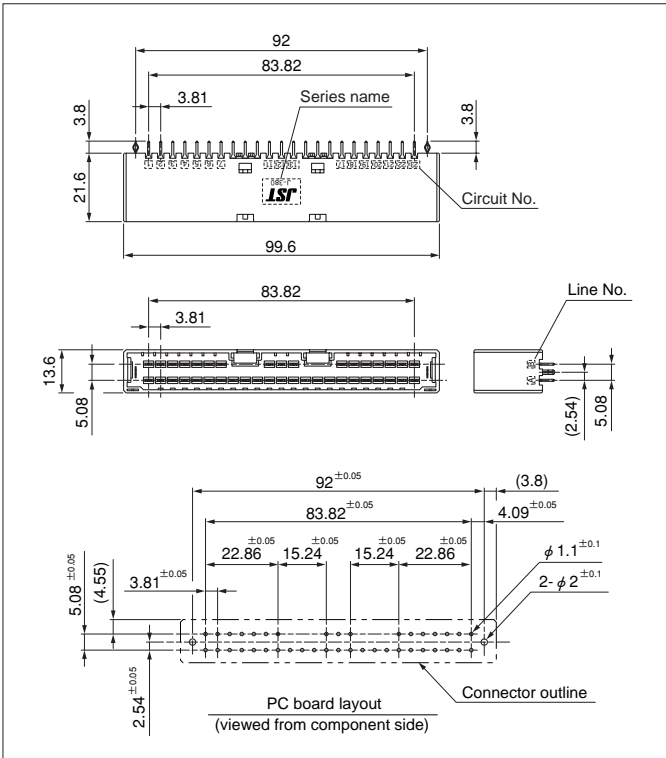
Material

Glass-filled PBT, UL94V-0, black

RoHS compliance This product displays (LF)(AU) on a label.
Note: Not CSA/UL/TÜV approved.

J300 SERIES/J380D (for keying block)

Header (Top entry type)



Circuits	Keying	Model No.	Q'ty/box
40	—	B04B-F38DK-GGER	—

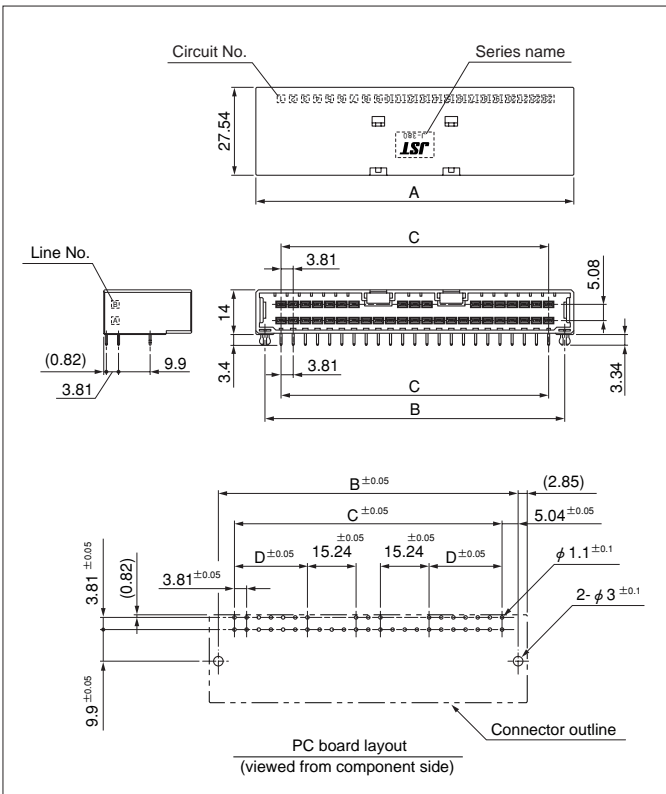
Material and Finish

Tab contact: Copper alloy, nickel-undercoated, selective gold-plated
 Housing: Glass-filled PBT, UL94V-0, black
 Reinforcement: Copper alloy, nickel-undercoated, selective gold-plated

RoHS compliance This product displays (LF)(AU) on a label.

Note: 1. Contact JST about 0.76 μm gold-plated product and tin-plated product.
 2. Not CSA/UL/TÜV approved.

Header (Side entry type)



Circuits	Keying	Model No.	Dimensions (mm)				Q'ty /box
			A	B	C	D	
20	—	S20B-F38DK-GGER	61.5	55.8	45.72	3.81	—
40	—	S40B-F38DK-GGER	99.6	93.9	83.82	22.86	—

Material and Finish

Tab contact: Copper alloy, nickel-undercoated, selective gold-plated
 Housing: Glass-filled PBT, UL94V-0, black
 Reinforcement: Copper alloy, nickel-undercoated, selective gold-plated

RoHS compliance This product displays (LF)(AU) on a label.

Note: 1. Contact JST about 0.76 μm gold-plated product and tin-plated product.
 2. Not CSA/UL/TÜV approved.



J300 SERIES COMMON TYPE/J350D

Double-row Common type (J350D)

Unit: A

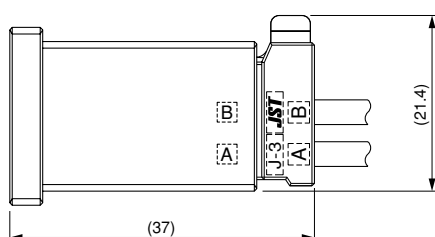
Receptacle side	Tab side	Appearance	Circuit figure	Current rating (AC, DC)						
				Wire size (AWG)						
				Circuit	Note 1	#14	#16	#18	#20	Remark
Normal Receptacle housing	Contact for common connection Tab side			12	—	13.0	11.5	9.5	7.5	Total input current on single-row
Receptacle housing assembly with common connection	Contact for common connection Tab side			12	—	13.0	11.5	9.5	7.5	Total input current on all circuits
	Header			4	11.25	11.25	11.25	10.0	8.0	—
				12	8.25	8.25	8.25	7.75	6.0	
				20	8.0	8.0	8.0	7.25	6.0	
Tab housing			12	—	8.25	8.25	7.75	6.0	—	

• Rationalization of wiring is realized by the common connection inside the connector

Note: Use only receptacle housing assembly with common connection.

Assembly layout

Direct mounting type



*When mating with receptacle housing (2-circuit)

Specifications

- Current rating: Refer to the above table.
- Voltage rating: 600 V AC, DC
- Temperature range: -55°C to +105°C
(including temperature rise in applying electrical current)
- Contact resistance: Initial value/ 10 mΩ max.
After environmental tests/ 20 mΩ max.
- Insulation resistance: 1,000 MΩ min.
- Withstanding voltage: 2,200 VAC/minute
- Applicable wire: AWG #28 to #14

* Contact JST for details.

* Compliant with RoHS.

* Refer to "General Instruction and Notice when using Terminals and Connectors" at the end of this catalog.

J300 SERIES COMMON TYPE/J350D

Receptacle housing

• 2 circuits

• 4 circuits

• 6 circuits

• 10 circuits

Circuits	Keying	Model No.	Q'ty/bag
2	—	F35FDC-02V-K	200
4	—	F35FDC-04V-K	200
6	—	F35FDC-06V-K	200
10	—	F35FDC-10V-K	100

Material

Glass-filled PBT, UL94V-0, black

RoHS compliance

Receptacle housing assembly with common connection

Circuits	Keying	Model No.	Q'ty/box
—	—	F35FDC-00(2-A1D)V-EC	700

Material and Finish

Contact for common connection: Copper alloy, nickel-undercoated, selective gold-plated
Housing: Glass-filled PBT, UL94V-0, blue

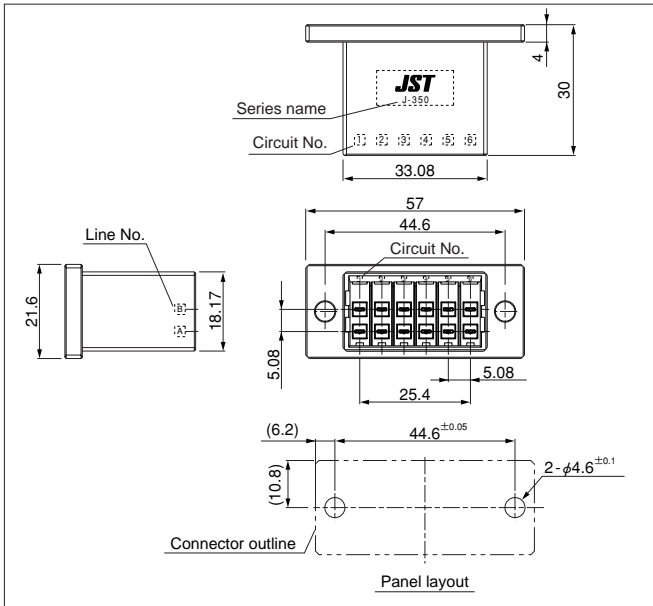
RoHS compliance

Note: 1. Contact JST about 0.76 μm gold-plated product and tin-plated product.
2. Not CSA/UL/TÜV approved.

<p>Cross-section of receptacle housing assembly with common connection</p> <p>Inserted the contact for common connection to the inside of receptacle housing</p>	<p>Illustration when using</p> <p>*When using receptacle housing assembly with common connection</p>	<p>Circuit figure when using</p> <p>Contact for common connection Tab side</p> <p>Contact for common connection Receptacle side</p>
--	--	---

J300 SERIES COMMON TYPE/J350D

Tab housing Assembly



Circuits	Keying	Model No.	Q'ty/box
12	—	P12B-F35DK-GFAR	196

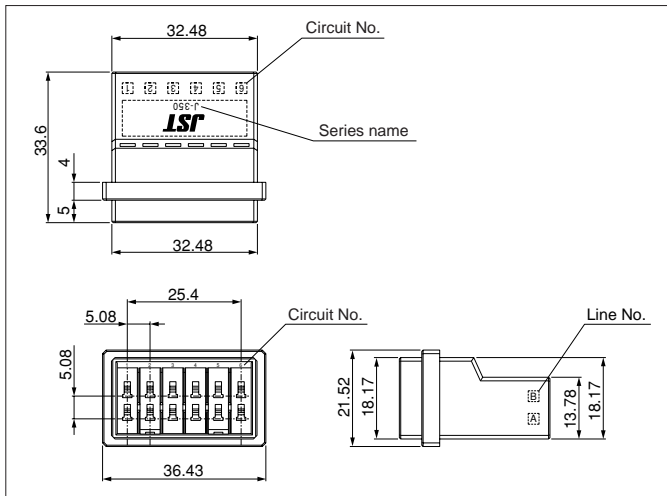
Material and Finish

Tab contact: Copper alloy, nickel-undercoated, selective gold-plated
Housing: Glass-filled PBT, UL94V-0, black

RoHS compliance

- Note: 1. Punch holes in the panel. Burrs must be removed.
2. The strength of the panel must be considered when punching two or more holes.
3. The connector must be inserted from the same side as the hole is punched.
4. Contact JST about 0.76 μm gold-plated product and tin-plated product.
5. Refer to the top page of J350D (Common type) for circuit figure.

Tab housing (Free hanging type)



Circuits	Keying	Model No.	Q'ty/box
12	—	F35MDF-12V-K	50

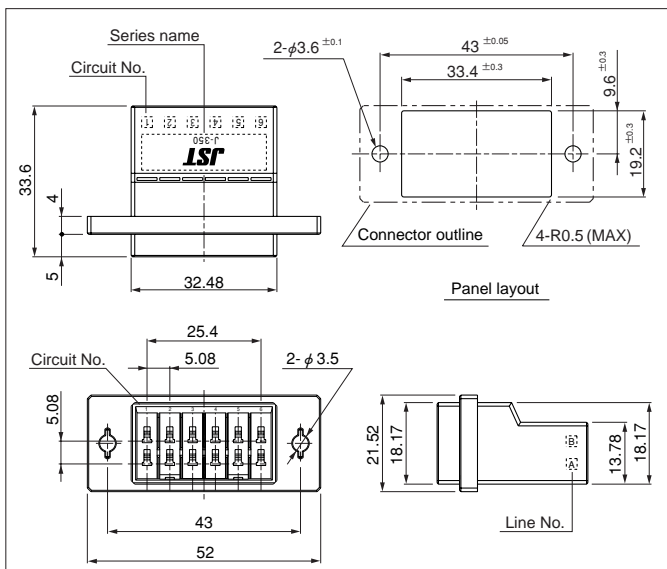
Material

Glass-filled PBT, UL94V-0, black

RoHS compliance

Note: Not TÜV approved.

Tab housing (Panel mounting type)



Circuits	Keying	Model No.	Q'ty/box
12	—	F35MDP-12V-K	41

Material

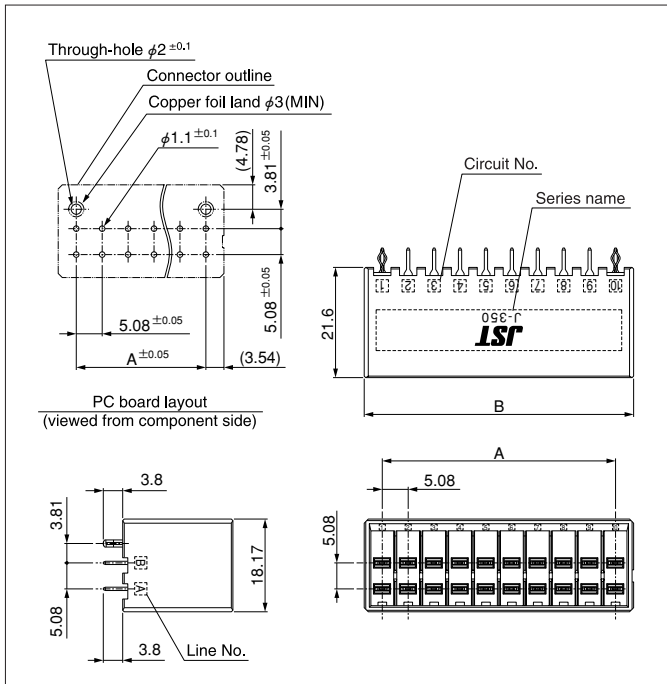
Glass-filled PBT, UL94V-0, black

RoHS compliance

- Note: 1. Punch holes in the panel. Burrs must be removed.
2. The strength of the panel must be considered when punching two or more holes.
3. The connector must be inserted from the same side as the hole is punched.
4. Not TÜV approved.

J300 SERIES COMMON TYPE/J350D

Header (Top entry type)



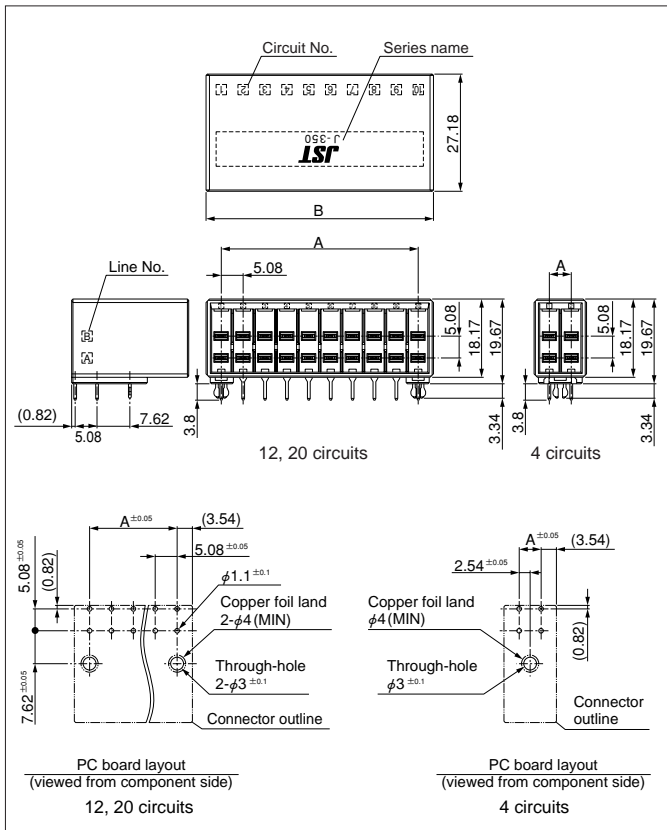
Circuits	Keying	Model No.	Dimensions (mm)		Q'ty/box
			A	B	
12	—	BC12B-F35DK-GGR	25.40	32.48	56
20	—	BC20B-F35DK-GGR	45.72	52.80	32

Material and Finish

Tab contact: Copper alloy, nickel-undercoated, selective gold-plated
Housing: Glass-filled PBT, UL94V-0, black
Reinforcement: Copper alloy, nickel-undercoated, selective gold-plated

RoHS compliance This product displays (LF)(AU) on a label.
Note: Contact JST about 0.76 μm gold-plated product and tin-plated product.

Header (Side entry type)



Circuits	Keying	Model No.	Dimensions (mm)		Q'ty/box
			A	B	
4	—	SC04B-F35DK-GGR	5.08	12.16	152
12	—	SC12B-F35DK-GGR	25.40	32.48	56
20	—	SC20B-F35DK-GGR	45.72	52.80	32

Material and Finish

Tab contact: Copper alloy, nickel-undercoated, selective gold-plated
Housing: Glass-filled PBT, UL94V-0, black
Reinforcement: Copper alloy, nickel-undercoated, selective gold-plated

RoHS compliance This product displays (LF)(AU) on a label.
Note: Contact JST about 0.76 μm gold-plated product and tin-plated product.

J300 SERIES COMMON TYPE/J360T

Triple-row Common type (J360T)

Receptacle side	Tab side	Appearance	Circuit figure
Normal Receptacle housing	Contact for common connection Tab side (Panel mounting type)		
	Contact for common connection Tab side (Direct mounting type)		
Receptacle housing assembly with common connection	Contact for common connection Tab side (Direct mounting type)		

- Rationalization of wiring is realized by the common connection inside the connector

Specifications

- Current rating: (AC, DC)

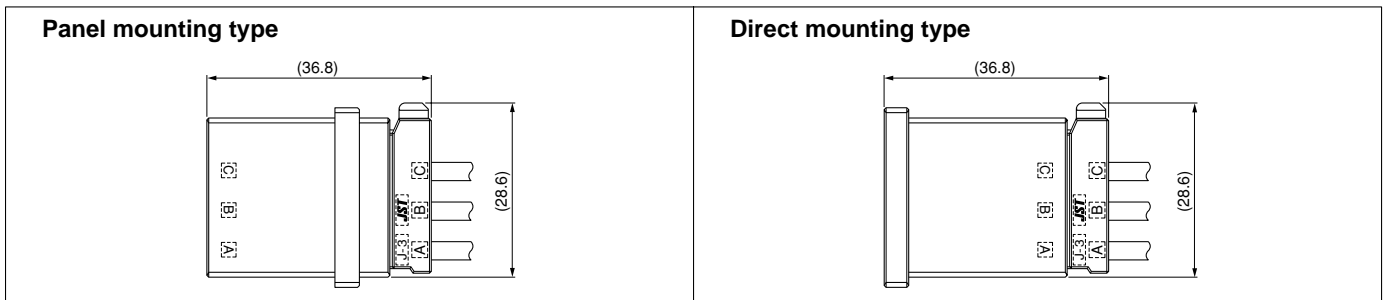
Unit: A

	Wire size (AWG)			
	#14	#16	#18	#20
Receptacle housing (Total input current on single-row)	12.0	10.5	8.5	6.5
Receptacle housing assembly with common connection (Total input current on all circuits)	15.0	13.5	11.5	9.5

- Voltage rating: 600 V AC, DC
- Temperature range: -55°C to +105°C
(including temperature rise in applying electrical current)
- Contact resistance: Initial value/ 10 mΩ max.
After environmental tests/ 20 mΩ max.
- Insulation resistance: 1,000 MΩ min.
(When using receptacle housing)
- Withstanding voltage: 2,200 VAC/minute
(When using receptacle housing)
- Applicable wire: AWG #28 to #14
- * Contact JST for details.
- * Compliant with RoHS.
- * Refer to "General Instruction and Notice when using Terminals and Connectors" at the end of this catalog.

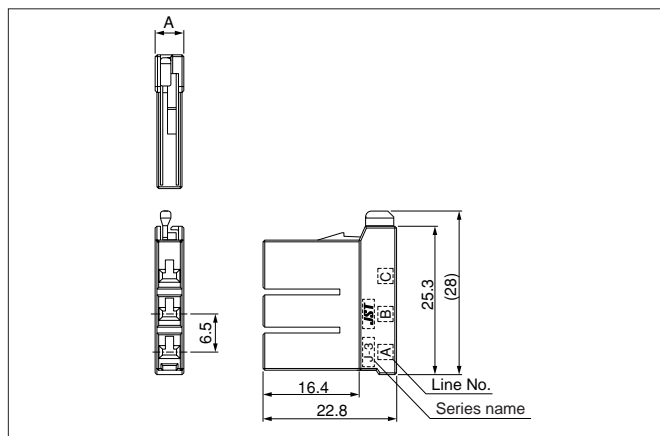
J300 SERIES COMMON TYPE/J360T

Assembly layout



*When mating with receptacle housing (3-circuit)

Receptacle housing



Circuits	Keying	Model No.	Dimensions (mm)	
			A	Q'ty/bag
3	—	F36FTC-03V-K	4.9	200
9	—	F36FTC-09V-K	15.0	—
18	—	F36FTC-18V-K	30.3	—
24	—	F36FTC-24V-K	41.2	60

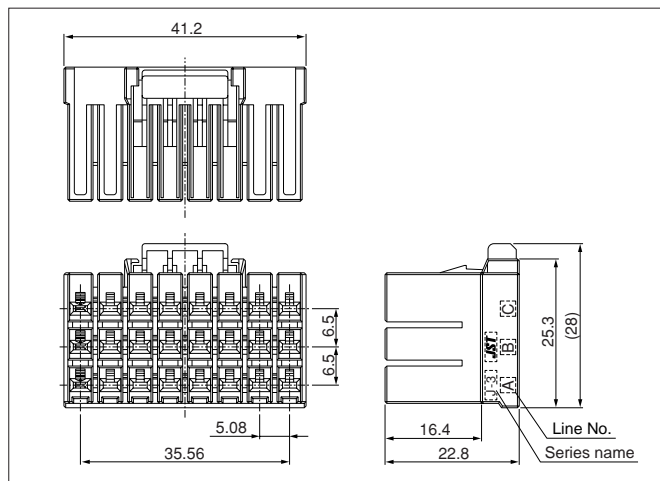
Material

Glass-filled PBT, UL94V-0, black

RoHS compliance

Note: 9, 18, and 24-circuit products are not approved by CSA/UL/TÜV standards.

Receptacle housing assembly with common connection



Circuits	Model No.	Q'ty/bag
21	F36FTC-21(24-C8T)V-KC	60

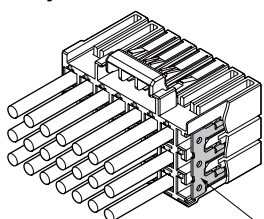
Material and Finish

Contact for common connection: Copper alloy, nickel-undercoated, selective gold-plated
Housing: Glass-filled PBT, UL94V-0, black

RoHS compliance

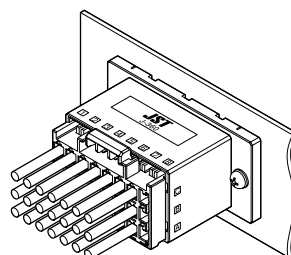
Note: 1. Contact JST about 0.76 μm gold-plated product.
2. Not CSA/UL/TÜV approved.

Cross-section of receptacle housing assembly with common connection



Inserted the contact for common connection to the right side of receptacle housing

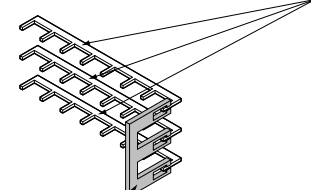
Illustration when using



* When mating with receptacle housing assembly with common connection

Circuit figure when using

Contact for common connection Tab side

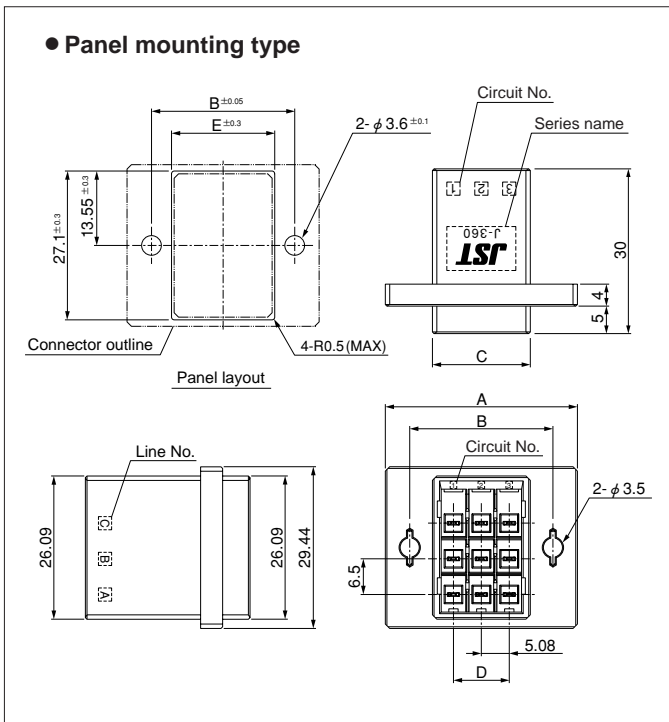


Contact for common connection Receptacle side

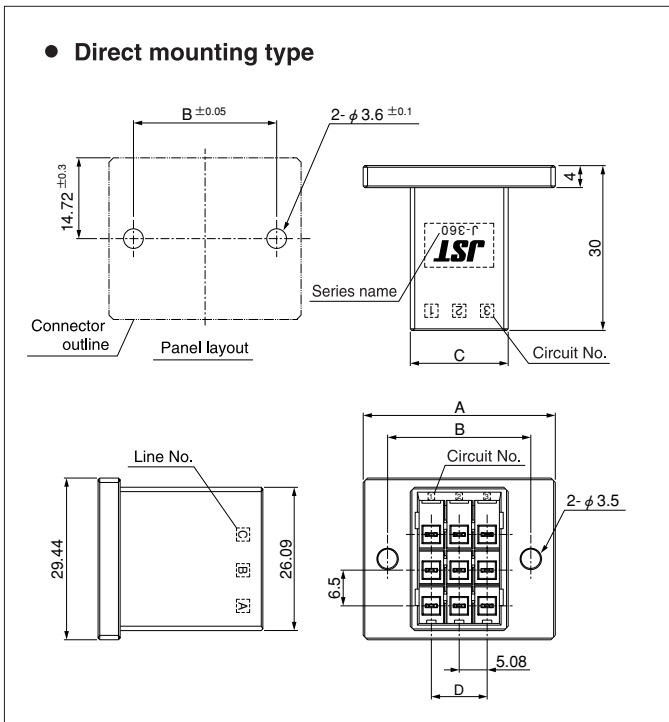
J300 SERIES COMMON TYPE/J360T

Common tab housing Assembly

● Panel mounting type



● Direct mounting type



Circuits	Keying	Model No.	Dimensions (mm)					Q'ty /box
			A	B	C	D	E	
9	—	P09B-F36TK-GFR	35.0	26.1	17.8	10.16	18.8	364
18	—	P18B-F36TK-GFR	50.2	41.3	33.1	25.40	34.1	224

Material and Finish

Tab contact: Copper alloy, nickel-undercoated, selective gold-plated
Housing: Glass-filled PBT, UL94V-0, black

RoHS compliance

- Note: 1. Punch holes in the panel. Burrs must be removed.
2. The strength of the panel must be considered when punching two or more holes.
3. The connector must be inserted from the same side as the hole is punched.
4. Contact JST about 0.76 μm gold-plated product and tin-plated product.
5. Refer to the top page of J360T (Common type) for circuit figure.

Circuits	Keying	Model No.	Dimensions (mm)				Q'ty /box
			A	B	C	D	
9	—	P09B-F36TK-GFAR	35.0	26.1	17.8	10.16	364
18	—	P18B-F36TK-GFAR	50.2	41.3	33.1	25.40	224
24	—	P24B-F36TK-GFAR	60.4	51.5	43.2	35.56	168

Material and Finish

Tab contact: Copper alloy, nickel-undercoated, selective gold-plated
Housing: Glass-filled PBT, UL94V-0, black

RoHS compliance

- Note: 1. Punch holes in the panel. Burrs must be removed.
2. The strength of the panel must be considered when punching two or more holes.
3. The connector must be inserted from the same side as the hole is punched.
4. Contact JST about 0.76 μm gold-plated product and tin-plated product.
5. The directions such as series names of 24-circuit product are different from 9 and 18-circuit products.
6. 24-circuit product is not approved by UL standard.
7. Refer to the top page of J360T (Common type) for circuit figure.

JFA CONNECTOR/J300 SERIES

Model number identification

Receptacle contact

S F3 F - 41 GF - P 2.0

Form: S...Strip form, B...Loose piece,
L...Loose piece with curled barrels

Series name

Kind of terminal: F...Receptacle contact

Applicable wire: 002...AWG #28 ~ #24, 01...AWG #24 ~ #20,
41...AWG #20 ~ #16, 71...AWG #16 ~ #14

Surface finish: GF...Nickel-undercoated, 0.38 μm selective gold-plated
GL...Nickel-undercoated, 0.76 μm selective gold-plated
T...Tin-plated (reflow treatment)

Material: P...Copper alloy

Terminal size

Tab contact

S F3 M - 41 GF - M 2.0 N

Form: S...Strip form, B...Loose piece
L...Loose piece with curled barrels

Series name

Kind of terminal: M...Tab contact

Applicable wire: 002...AWG #28 ~ #24, 01...AWG #24 ~ #20
41...AWG #20 ~ #16, 71...AWG #16 ~ #14

Surface finish: GF...Nickel-undercoated, 0.38 μm selective gold-plated
GL...Nickel-undercoated, 0.76 μm selective gold-plated
T...Tin-plated (reflow treatment)

Material: M...Copper alloy

Terminal size

Sub model No.

Receptacle housing

F31 F S S - 03 V - K X

Series name

Type of connector: F...Receptacle housing,
FR...Receptacle housing
Reverse type

Rows: S...Single-row, D...Double-row with 5.08 mm line pitch
M...Double-row with 7.62 mm line pitch
T...Triple-row, F...Quadruple-row

Mounting arrangement: S...Side locking, C...Center locking,
PA...Panel mounting type

No. of circuits: 1 ~ 6, 8 ~ 10, 12, 16, 18, 20, 24, 30, 40

Flammability: V...UL94V-0

Color indication: K...Black, S...White, E...Blue, M...Green

Keying: X...X-Keying, Y...Y-Keying, Z...Z-Keying, W...W-Keying, XX...XX-Keying,
YY...YY-Keying, XY...XY-Keying, Blank...Without Keying No.
E...Space (2 spaces) for Keying block

Tab housing

F31 M S F - 03 V - K X

Series name

Type of connector: M...Tab housing,
MR...Tab housing
Reverse type

Rows: S...Single-row, D...Double-row,
T...Triple-row, F...Quadruple-row

Mounting arrangement: F...Free hanging, P...Panel mounting
S...Side locking, PL...Panel mounting Housing lock

No. of circuits: 1 ~ 6, 8, 10, 12, 16, 20, 30, 40

Flammability: V...UL94V-0

Color indication: K...Black, S...White, E...Blue, M...Green

Keying: X...X-Keying, Y...Y-Keying, Z...Z-Keying, W...W-Keying, XX...XX-Keying,
YY...YY-Keying, XY...XY-Keying, Blank...Without Keying No.

Header

B 05 B - F31 S K - GG X R

PC board mounting direction:
B...Top entry type
S...Side entry type
BC...Top & center locking
SR...Side reverse
SC...Side & center locking

No. of circuits: 2 ~ 6, 8 ~ 10, 12, 16, 20, 40

Product name: Header

Series name

Rows: S...Single-row
D...Double-row with 5.08 mm line pitch
M...Double-row with 7.62 mm line pitch
T...Triple-row
F...Quadruple-row

Color indication: K...Black, S...White, E...Blue

Surface finish: GG...Nickel-undercoated, 0.38 μm selective gold-plated
GK...Nickel-undercoated, 0.76 μm selective gold-plated
T...Tin-plated (reflow treatment)

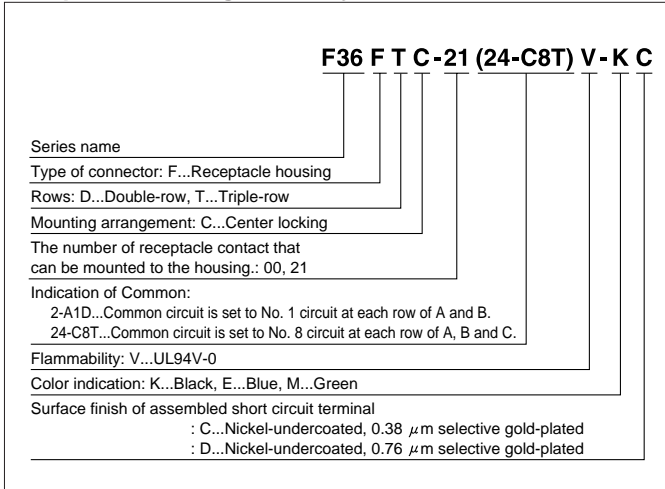
Keying: X...X-Keying, Y...Y-Keying, XX...XX-Keying, YY...YY-Keying,
XY...XY-Keying, E...Space (2 spaces) for Keying block,
XA...XXX-Keying, XB...XXY-Keying, XC...YX-Keying,
XD...YYX-Keying, Blank...Without Keying No.

Packaging form: R...Tray, M...Magazine stick

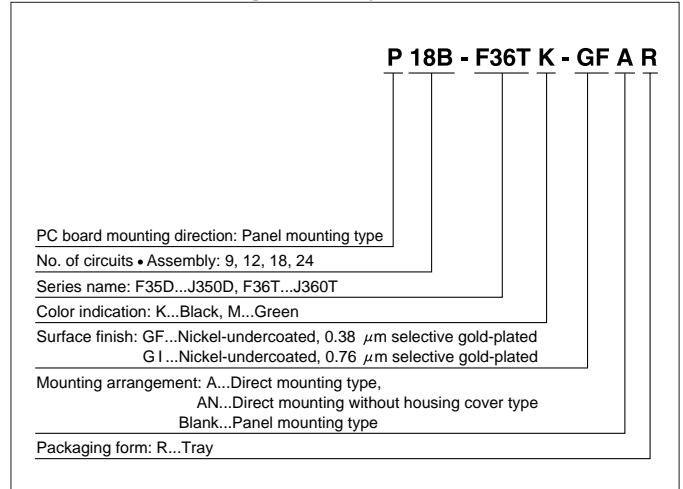
JFA CONNECTOR/J300 SERIES

Model number identification

Receptacle housing assembly



Common tab housing assembly



Keying block

