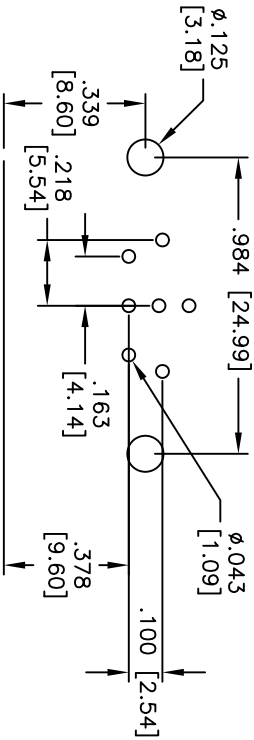
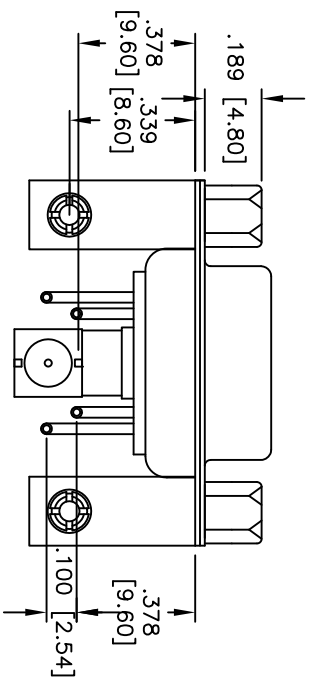
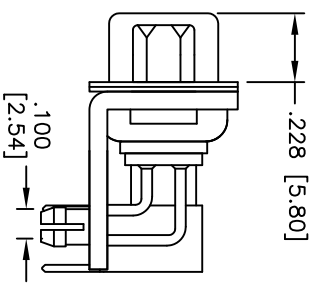
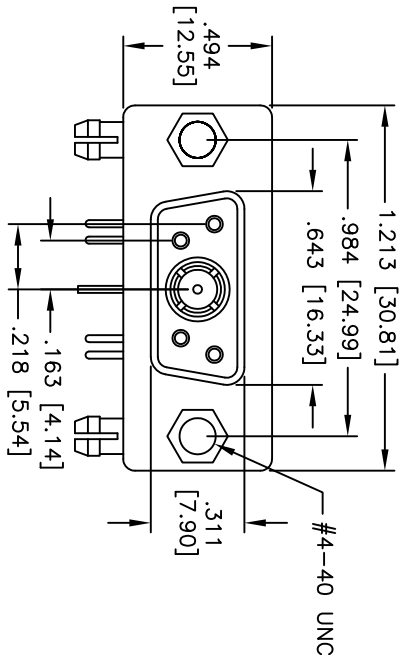


Rev	AWO #	Description	Date	Appr
-		RELEASED	4/13/09	

APPROVED: \_\_\_\_\_  
 DATE: \_\_\_\_\_ TITLE: \_\_\_\_\_



RECOMMENDED P.C.B. LAYOUT

**SPECIFICATIONS:**

- Material:**  
 Insulator: PBT, glass reinforced, rated UL 94V-0  
 Insulator color: Black  
 Coax Insulator: Teflon  
 Coax Contact: Brass, Gold plated  
 Signal Contact: Brass, Gold plated  
 Metal Bracket: Steel, Nickel plated  
 Boardlock: Brass, Nickel plated  
 Screw: Brass, Nickel plated

**Plating:**  
 Gold over Nickel underplate overall

**Electrical:**  
 Signal contact: 5 Amp max  
 Coax Impedance: 50 Ohms  
 Contact resistance: 10 mohms max  
 Insulation resistance: 5,000 Mohms min  
 Dielectric withstanding voltage: 1,000 VAC for 1 minute

**Environmental:**  
 Temperature Rating:  
 Operating temperature: -55°C to +125°C  
 Lead free, RoHS compliant  
 Recommended soldering temp: 235°C for 5 seconds



**ADAM TECH**

909 Rahway Avenue, Union, NJ 07083  
 Phone: 908-687-5000 Fax: 908-687-5710

TITLE: D-SUB CONNECTOR, COAX CONTACT, 50 ohm,  
 R/A DIP TYPE, W/ #4-40 SCREWS & BOARDLOCKS

UNLESS OTHERWISE SPECIFIED ALL DIMENSIONS ARE INCHES [MM]		TOLERANCES EXCEPT AS NOTED	
INCHES		HOLDS	
.X	± .10	ØX	± .10
.XX	± .020	ØXX	± .015
.XXX	± .015	ØXXX	± .010
APPROVALS		DATE	
DRAWN	DY	4/13/09	
CHECKED			
APPROVED			
SIZE	PART NO.	SCALE	REV.
X	D5W1-SL-1-2A-BL	NTS	-
REF:	S00019T	SHEET	1 OF 1