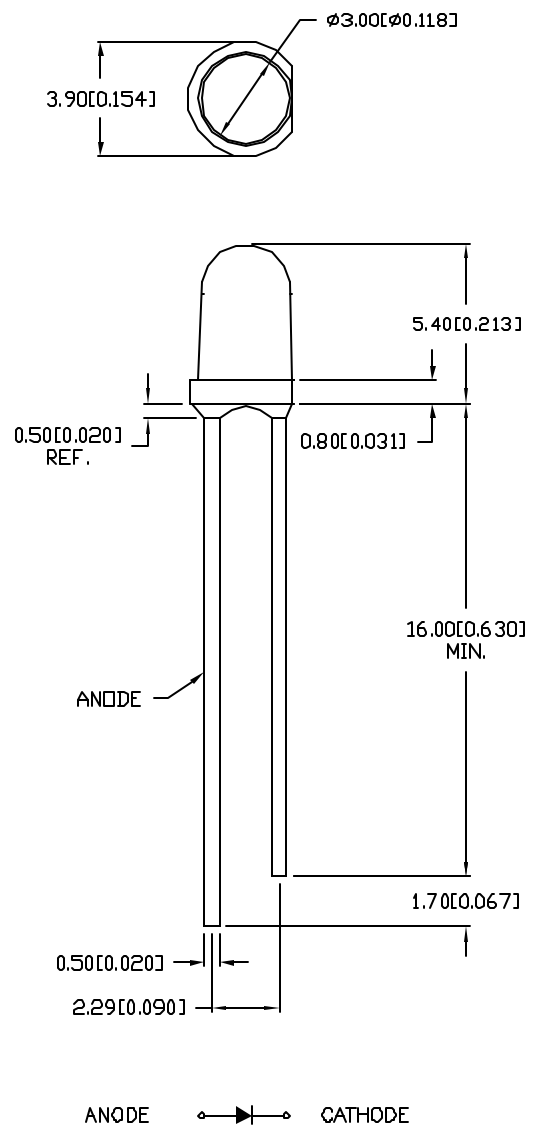


DATE	REVISIONS	REV
12-18-97	E.C.N. #10BRDR./	A

DRAWING NUMBER	REV
OED-SP-7L	A

ELECTRO-OPTICAL CHARACTERISTICS  $T_A = 25^\circ\text{C}$

PARAMETER	SYMBOL	TEST CONDITION	MIN	TYP	MAX	UNIT
OPEN CIRCUIT VOLTAGE	$V_{oc}$	$E_e = 0.5 \text{ mw/cm}^2$		0.39		V
SHORT CIRCUIT CURRENT	$I_{sc}$	$E_e = 0.5 \text{ mw/cm}^2$		30		$\mu\text{A}$
DARK CURRENT	$I_d$	$V_r = 10\text{V}$			10	nA
		$E_e = 0.5 \text{ mw/cm}^2$				
TERMINAL CAPACITANCE	$C_t$	$V_r = 3\text{V}, F = 1\text{MHz}$		5		pF
RESPONSE TIME	$T_r/T_f$	$V_r = 10\text{V}, R_l = 1000\Omega$		6/6		nS
SPECTRAL SENSITIVITY	$\lambda$			500~1000		nm
PEAK WAVELENGTH	$\lambda_p$			940		nm
HALF ANGLE	$\Delta\theta$			$\pm 8$		DEG
LENS COLOR:	CLEAR					



LIMITS OF SAFE OPERATION AT  $25^\circ\text{C}$

PARAMETER	MAX	UNITS
REVERSE VOLTAGE	20	V
POWER DISSIPATION	20	mW
OPERATING TEMP.	-30 TO +70	$^\circ\text{C}$
STORAGE TEMP.	-40 TO +80	$^\circ\text{C}$
SOLDERING TEMP.	+260	$^\circ\text{C}$
2.0mm FROM BODY	3 SEC. MAX	

RELIABILITY NOTE

OUR MANY YEARS OF EXPERIENCE DATA ACCUMULATION INDICATE THAT SOLDER HEAT IS A MAJOR CAUSE OF EARLY AND FUTURE FAILURE. PLEASE PAY ATTENTION TO YOUR SOLDERING PROCESS.



290 E. HELLEN ROAD  
PALATINE, ILLINOIS 60067  
(847) 359-2790

CONFIDENTIAL INFORMATION  
THE INFORMATION CONTAINED IN THIS DOCUMENT IS THE PROPERTY OF LUMEX INCORPORATED. EXCEPT AS SPECIFICALLY AUTHORIZED IN WRITING BY LUMEX INCORPORATED, THE HOLDER OF THIS DOCUMENT SHALL KEEP ALL INFORMATION CONTAINED HEREIN CONFIDENTIAL AND SHALL PROTECT SAME IN WHOLE OR IN PART FROM DISCLOSURE AND DISSEMINATION TO ALL THIRD PARTIES.

DATE: 11-9-94	DWN:	CHK'D:	APPD:
SCALE: N/A			

PN JUNCTION SILICON  
PHOTODIODE

PAGE 1 OF 1	DRAWING NUMBER OED-SP-7L	REV A
-------------	-----------------------------	----------

UNLESS OTHERWISE SPECIFIED TOLERANCE IS  $\pm 0.25\text{mm}$  ( $\pm 0.010''$ )