



Features

- Size: 8 mm diameter, 10 mm length
- Balanced and symmetrical TRIGARD® design
- High surge current rating
- Stable breakdown throughout life
- Long life
- Fail-Short available
- RoHS compliant*

Applications

- Telecommunications electronics
- Industrial electronics
- Consumer electronics

2028 Series Long Life Heavy-Duty 3-Electrode Gas Discharge Tube

Characteristics

Test Methods per ITU-T K.12, IEEE C62.31 and IEC 61643-311 GDT standards.

Characteristic	Model No.			
	2028-23	2028-25	2028-35	2028-42
DC Sparkover $\pm 20\%$ @ 100 V/s	230 V	250 V	350 V	420 V
Impulse Sparkover ⁽¹⁾				
100 V/ μ s (Typical/99 %)	< 450 V/550 V	< 450 V/550 V	< 700 V/800 V	< 850 V/950 V
1000 V/ μ s (Typical/99 %)	< 650 V/750 V	< 650 V/750 V	< 850 V/950 V	< 1050 V/1150 V

⁽¹⁾ Impulse Sparkover voltage is defined as typical values of distribution.

Impulse Transverse Delay	1000 V/ μ s.....	< 75 ns
Insulation Resistance (IR)	100 V	> 1 G Ω
Capacitance.....	1 MHz	< 2 pF
Glow Voltage	10 mA.....	~ 70 V
Arc Voltage	1 A	~ 10 V
DC Holdover Voltage ⁽²⁾	135 V	< 150 ms
Impulse Discharge Current ⁽³⁾	30,000 A, 8/20 μ s.....	1 operation
	20,000 A, 8/20 μ s.....	10 operations
	5,000 A, 10/350 μ s.....	1 operation
	200 A, 10/1000 μ s.....	300 operations
	20 A, 10/1000 μ s.....	1500 operations
Alternating Discharge Current	20 Arms, 1 second	10 operations
Operating Temperature.....		-55 to +85 °C
Climatic Category (IEC 60068-1).....		40 / 90 / 21

An optional Switch-Grade Fail-Short device is available. The optional Fail-Short assembly will activate at a temperature of 215 °C – 217 °C to provide a high conductive path to ground in case of a thermal overload. GDTs equipped with the optional Fail-Short device should be soldered either manually at a temperature that is below the activation temperature of the Fail-Short mechanism, or using a selective soldering process that does not exceed 210 °C.

Notes:

- ⁽²⁾ Network applied.
- ⁽³⁾ The Rated Impulse Discharge Current for TRIGARD® Gas Discharge Tubes is the total current equally divided between each line to ground.
- At delivery AQL 0.65 Level II, DIN ISO 2859.

How to Order

Model Number	2028 - nn - x n F LF
Designator	_____
Voltage (Divided by 10)	_____
23 = 230 V 35 = 350 V	
25 = 250 V 42 = 420 V	
Leads	_____
A = No Leads / Cassette Applications	
C = 1.0 mm	
Lead Shape	_____
(See Product Dimension Drawings)	
Fail-Short Option	_____
Blank = Standard Product	
F = With Fail-Short Mechanism	
RoHS Compliancy	_____
LF = RoHS Compliant Product	

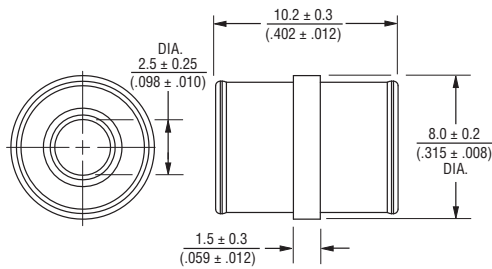
*RoHS Directive 2002/95/EC Jan. 27, 2003 including annex and RoHS Recast 2011/65/EU June 8, 2011. Specifications are subject to change without notice. The device characteristics and parameters in this data sheet can and do vary in different applications and actual device performance may vary over time. Users should verify actual device performance in their specific applications.

2028 Series Long Life Heavy-Duty 3-Electrode Gas Discharge Tube

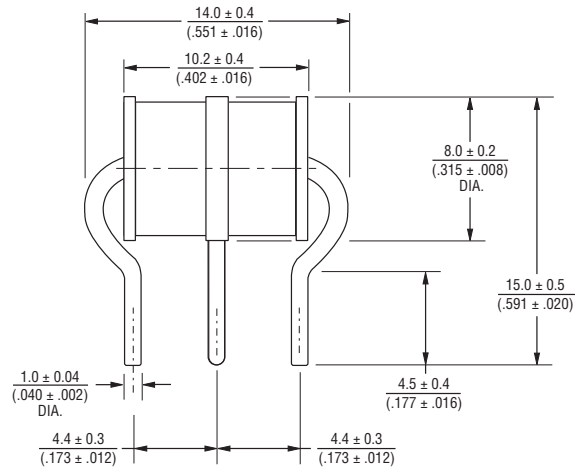
BOURNS®

Product Dimensions

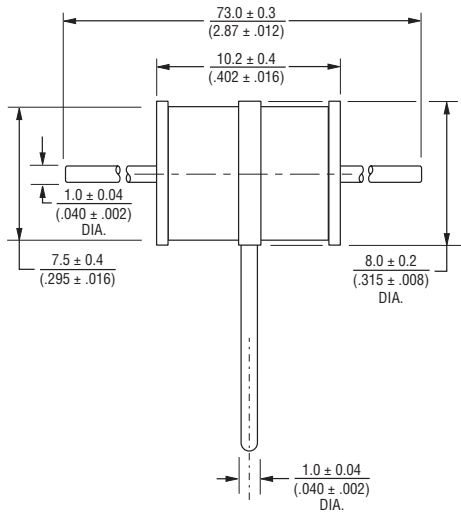
2028-xx-A



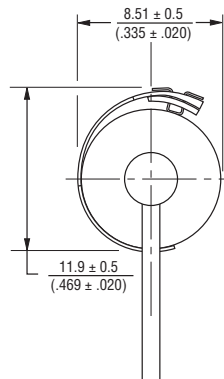
2028-xx-C2



2028-xx-C
1.0 mm dia. lead wire



2028-xx-C2F
WITH FAIL-SHORT OPTION



DIMENSIONS: $\frac{\text{MM}}{\text{(INCHES)}}$

Packaging Specifications

Model	Standard Packaging Quantity		
	Bulk (Bag)	Tray	Box
2028-XX-A	250		1000
2028-XX-C	50		300
2028-XX-C2		100	900
2028-XX-C2F		100	900

REV. D 11/15

Specifications are subject to change without notice. The device characteristics and parameters in this data sheet can and do vary in different applications and actual device performance may vary over time. Users should verify actual device performance in their specific applications.