

**PLEASE CHECK WWW.MOLEX.COM FOR LATEST PART INFORMATION**

**Part Number:** [0430451006](#)  
**Status:** **Active**  
**Overview:** [microfit\\_30](#)  
**Description:** 3.00mm (.118") Pitch Micro-Fit 3.0™ Header, Surface Mount, Dual Row, Right Angle, with Press-fit Metal Retention Clip, 10 Circuits, Tin (Sn) Plating, Glow Wire Compatible

**Documents:**

[3D Model](#) [Product Specification PS-43045 \(PDF\)](#)  
[Drawing \(PDF\)](#) [RoHS Certificate of Compliance \(PDF\)](#)

**Agency Certification**

CSA LR19980  
TUV R72081037  
UL E29179

**General**

Product Family PCB Headers  
Series [43045](#)  
Application Wire-to-Board  
Comments Glow Wire Equivalent Part Number [430451006](#). High Temperature, Square Pin, Solder Type  
Overview [microfit\\_30](#)  
Product Literature Order No USA-106  
Product Name Micro-Fit 3.0™

**Physical**

Breakaway No  
Circuits (Loaded) 10  
Circuits (maximum) 10  
Color - Resin Black  
Durability (mating cycles max) 30  
Flammability 94V-0  
Glow-Wire Compliant Yes  
Mated Height (in) 0.405 In  
Mated Height (mm) 10.29 mm  
Material - Metal Brass  
Material - Plating Mating Tin  
Material - Plating Termination Tin  
Material - Resin High Temperature Thermoplastic  
Number of Rows 2  
Orientation Right Angle  
PCB Locator Yes  
PCB Retention Yes  
PCB Thickness Recommended (in) 0.062 In  
PCB Thickness Recommended (mm) 1.60 mm  
Packaging Type Embossed Tape on Reel  
Pitch - Mating Interface (in) 0.118 In  
Pitch - Mating Interface (mm) 3.00 mm  
Plating min: Mating (µin) 100  
Plating min: Mating (µm) 2.50  
Plating min: Termination (µin) 100  
Plating min: Termination (µm) 2.50  
Polarized to PCB Yes  
Shrouded Fully  
Stackable No  
Surface Mount Compatible (SMC) N/A



**EU RoHS**

**ELV and RoHS Compliant**  
**REACH SVHC Contains SVHC: No**  
**Halogen-Free Status**

**China RoHS**



**Halogen-Free**

**Need more information on product environmental compliance?**

Email [productcompliance@molex.com](mailto:productcompliance@molex.com)  
For a multiple part number RoHS Certificate of Compliance, [click here](#)

Please visit the [Contact Us](#) section for any non-product compliance questions.

**Search Parts in this Series**

[43045Series](#)

**Mates With**

[43025](#)

|                               |                 |
|-------------------------------|-----------------|
| Temperature Range - Operating | -40°C to +105°C |
| Termination Interface: Style  | Surface Mount   |

### **Electrical**

|                               |      |
|-------------------------------|------|
| Current - Maximum per Contact | 5A   |
| Voltage - Maximum             | 250V |

### **Solder Process Data**

|  |                           |
|--|---------------------------|
| Duration at Max. Process Temperature (seconds) | 30                        |
| Lead-free Process Capability                   | Reflow Capable (SMT only) |
| Max. Cycles at Max. Process Temperature        | 3                         |
| Process Temperature max. C                     | 260                       |

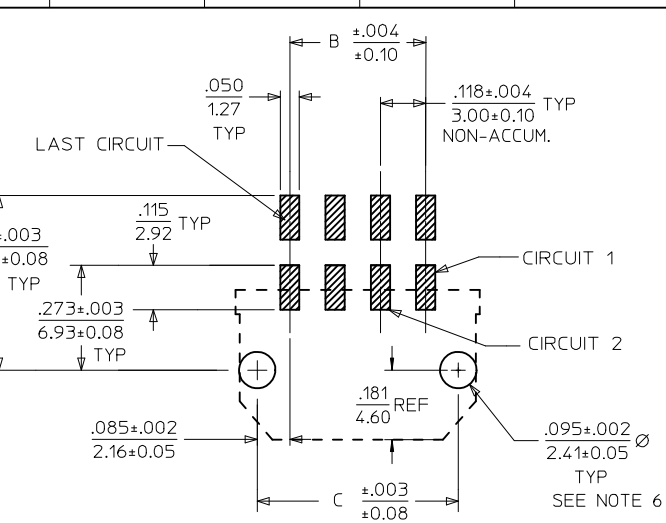
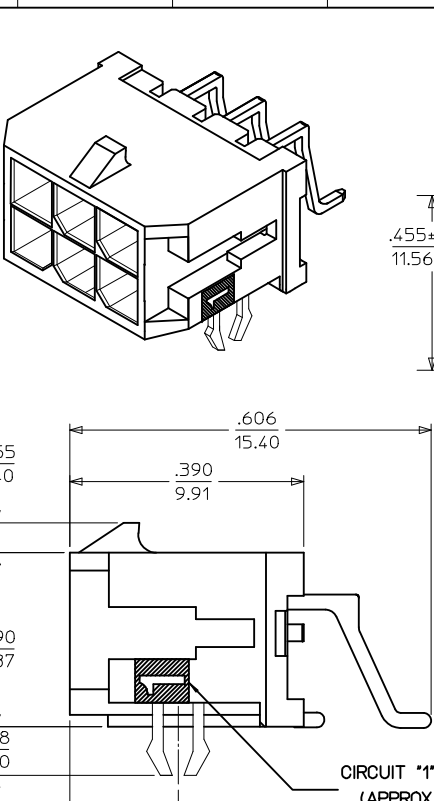
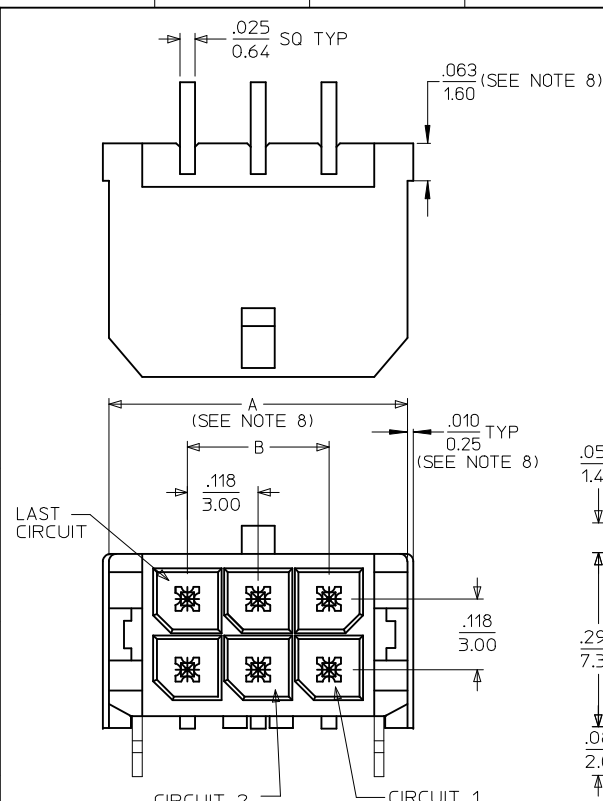
### **Material Info**

#### **Reference - Drawing Numbers**

|                         |  |
|-------------------------|--|
| Packaging Specification | PK-70873-05**                          |
| Product Specification   | PS-43045, RPS-43045-003, RPS-43045-004 |
| Sales Drawing           | SD-43045-003                           |
| Test Summary            | TS-43045-001                           |

This document was generated on 05/24/2010

**PLEASE CHECK [WWW.MOLEX.COM](http://WWW.MOLEX.COM) FOR LATEST PART INFORMATION**

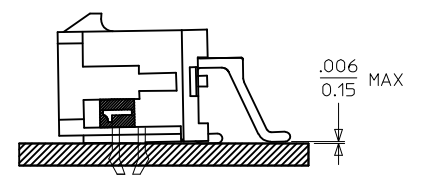


PCB LAYOUT: COMPONENT SIDE  
RECOMMEND PCB THICKNESS: .062/157

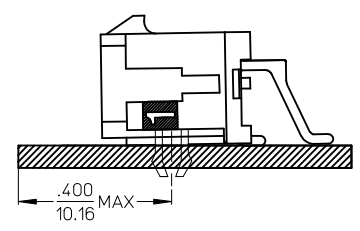
| CKTS | A (SEE NOTE 8) |       |       |
|------|----------------|-------|-------|
|      | B              | C     |       |
| 02   | .262           |       | .169  |
|      | 6.65           | NA    | 4.30  |
| 04   | .380           | .118  | .287  |
|      | 9.65           | 3.00  | 7.30  |
| 06   | .498           | .236  | .405  |
|      | 12.65          | 6.00  | 10.30 |
| 08   | .616           | .354  | .524  |
|      | 15.65          | 9.00  | 13.30 |
| 10   | .734           | .472  | .642  |
|      | 18.65          | 12.00 | 16.30 |
| 12   | .852           | .591  | .760  |
|      | 21.65          | 15.00 | 19.30 |
| 14   | .970           | .709  | .878  |
|      | 24.65          | 18.00 | 22.30 |
| 16   | 1.088          | .827  | .996  |
|      | 27.65          | 21.00 | 25.30 |
| 18   | 1.206          | .945  | 1.114 |
|      | 30.65          | 24.00 | 28.30 |
| 20   | 1.325          | 1.063 | 1.232 |
|      | 33.65          | 27.00 | 31.30 |
| 22   | 1.443          | 1.181 | 1.350 |
|      | 36.65          | 30.00 | 34.30 |
| 24   | 1.561          | 1.299 | 1.469 |
|      | 39.65          | 33.00 | 37.30 |

- NOTES:**
- HOUSING MATERIAL: GLASS FILLED LIQUID CRYSTAL POLYMER, UL94V-0, COLOR: BLACK  
TERMINAL MATERIAL: BRASS ALLOY
  - FINISH: A = .000100/(0.00254) MIN. TIN OVER  
.000050/(0.00127) MIN. NICKEL PLATE.  
B = .000015/(0.00038) MIN. SELECT GOLD IN CONTACT AREA,  
.000100/(0.00254) MIN. SELECT MATTE TIN ON SOLDER TAILS,  
BOTH OVER .000050/(0.00127) MIN. NICKEL PLATE.  
C = .000030/(0.00076) MIN. SELECT GOLD IN CONTACT AREA,  
.000100/(0.00254) MIN. SELECT MATTE TIN ON SOLDER TAILS,  
BOTH OVER .000050/(0.00127) MIN. NICKEL PLATE.  
\* THE PRIMARY SHIPPING CARTON WILL BE LABELED 'COMPLIANT TO RoHS DIRECTIVE 2002/95/EC AND ELV ANNEX II OF DIRECTIVE 2000/53/EC.' CARTONS WITHOUT THIS LABEL MAY CONTAIN PRODUCT WITH TIN/LEAD IN THE PC TAIL AREA.
  - PRODUCT SPECIFICATION: PS-43045
  - TAPE AND REEL PACK: SEE MOLEX DRAWING PK-70873-05\*\*
  - MATES WITH MICRO FIT (3.0) RECEPTACLE SERIES 43025
  - TO MINIMIZE INSERTION FORCE OF MOUNTING CLIPS DURING ROBOTIC PLACEMENT THE HOLE DIAMETER SHOULD BE INCREASED TO .108±.002 / 2.74±0.05 AND THEN EVALUATED PER PLACEMENT EQUIPMENT.
  - THE COPLANARITY DIMENSION IS ESTABLISHED BY PLACING THE ASSEMBLY ON A FLAT SURFACE. THE DISTANCE FROM THAT SURFACE TO THE BOTTOM OF ANY TERMINAL MUST NOT EXCEED .006/0.15
  - .010/0.25 OFFSETS ARE PRESENT ON ALL PARTS MANUFACTURED AFTER 11/1/2007, AND ON PARTS PRIOR TO 11/1/2007 THAT CONTAIN A GREEN DOT ON THE PRIMARY SHIPPING CARTON LABEL.
  - TO AVOID INTERFERENCE BETWEEN RECEPTACLE AND PCB, HEADER MUST BE PLACED WITHIN .400/(10.16) MAX. FROM EDGE OF PCB, AS SHOWN IN LOCATION DETAIL.
  - THIS PART CONFORMS TO CLASS B REQUIREMENTS OF COSMETIC SPECIFICATION PS-45499-002.

|      | FINISH A     | FINISH B     | FINISH C     |
|------|--------------|--------------|--------------|
| CKTS | MATERIAL NO: | MATERIAL NO: | MATERIAL NO: |
| 02   | 43045-0206   | 43045-0207   | 43045-0208   |
| 04   | 43045-0406   | 43045-0407   | 43045-0408   |
| 06   | 43045-0606   | 43045-0607   | 43045-0608   |
| 08   | 43045-0806   | 43045-0807   | 43045-0808   |
| 10   | 43045-1006   | 43045-1007   | 43045-1008   |
| 12   | 43045-1206   | 43045-1207   | 43045-1208   |
| 14   | 43045-1406   | 43045-1407   | 43045-1408   |
| 16   | 43045-1606   | 43045-1607   | 43045-1608   |
| 18   | 43045-1806   | 43045-1807   | 43045-1808   |
| 20   | 43045-2006   | 43045-2007   | 43045-2008   |
| 22   | 43045-2206   | 43045-2207   | 43045-2208   |
| 24   | 43045-2406   | 43045-2407   | 43045-2408   |



COPLANARITY DETAIL  
(SEE NOTE #7)



LOCATION DETAIL  
(SEE NOTE #9)

HOUSING FOOTPRINT  
EC NO: UCP2009-0781  
DRAWINGVERILL 2008/09/30  
CHKD:SSOUSEK 2008/10/03  
APPR:FSMLTH 2008/10/03

QUALITY SYMBOLS  
▽=0  
▽=0

REV F2

GENERAL TOLERANCES (UNLESS SPECIFIED)

|               | mm   | INCH  |
|---------------|------|-------|
| 4 PLACES ±    | ---  | ---   |
| 3 PLACES ±    | ---  | ±.010 |
| 2 PLACES ±    | 0.25 | ±.014 |
| 1 PLACE ±     | 0.36 | ±---  |
| ANGULAR ±1/2° |      |       |

DRAFT WHERE APPLICABLE  
MUST REMAIN  
WITHIN DIMENSIONS

DIMENSION STYLE  
IN/MM

DRAWN BY DATE  
SAMIEC 2000/03/15

CHECKED BY DATE  
MUELLER 2000/03/15

APPROVED BY DATE  
EDGLEY 2000/03/15

MATERIAL NO.  
SEE CHART

SIZE C

SCALE  
---  
METRIC

DESIGN UNITS  
METRIC

THIRD ANGLE PROJECTION

TITLE  
MICRO FIT (3.0)  
DUAL ROW RIGHT ANGLE SMT  
HEADER W/CLIPS ASS'Y

MOLEX INCORPORATED

DOCUMENT NO.  
SD-43045-003

SHEET NO.  
1 OF 1

THIS DRAWING CONTAINS INFORMATION THAT IS PROPRIETARY TO MOLEX INCORPORATED AND SHOULD NOT BE USED WITHOUT WRITTEN PERMISSION