

35 355095

RAST 2.5 connectors, pitch 2.5/5.0 mm



RAST 2.5 plus™ pin header, upright, in surface mount technology (SMT), with locking latch and one or two positioning spigots, with double-sided keying contact pitch 2.5 mm

---

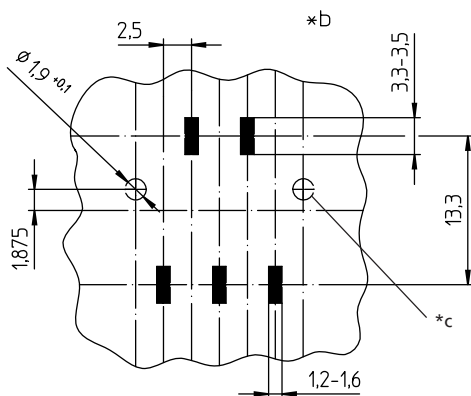
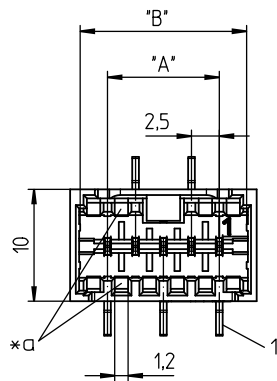
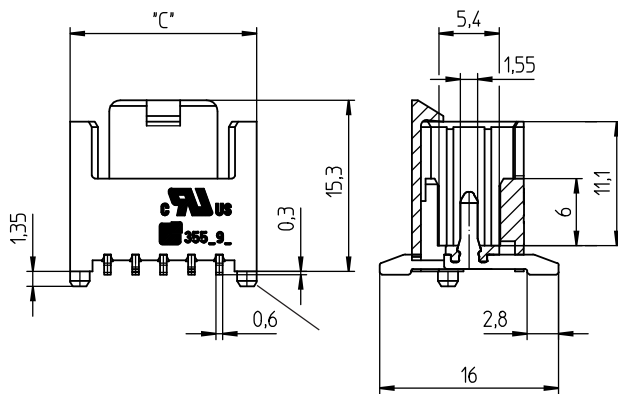
State: New

---

Approvals:



35 355095



- \*a keying
- \*b printed circuit board layout, components side view
- \*c second positioning spigot at 355095 Z02

### Environmental conditions

Temperature range -40 °C/+140 °C<sup>1</sup>

<sup>1</sup> upper limit temperature (insulating body) RTI (electrical) of the UL Yellow Card

### Materials

Insulating body PA GF, V-0 according to UL94<sup>1</sup>  
Contact pin CuZn, pre-nickel and tin-plated

<sup>1</sup> M12: component glow wire resistant (GWT 750 °C), testing acc. to IEC 60695-2-11, assessment acc. to IEC 60335-1 (flame < 2 s)




### Mechanical data

Keying proposals at [www.lumberg.com](http://www.lumberg.com) 

### Electrical data (at T<sub>amb</sub> 20 °C)

Rated current 4 A (T<sub>u</sub> 60 °C)  
2 A (T<sub>u</sub> 100 °C)  
Rated voltage 250 V AC  
Material group II (IEC)/1 (UL) (CTI ≥ 450)  
Creepage distance 1,9 mm  
Clearance 1,9 mm  
Insulation resistance > 1 GΩ

### Associated products

Counterparts  3521  3521-2  352100

35

355095

Designation	Pole Number	PU (Pieces)	MDQ (Pieces)	Dimensions		
				A (mm)	B (mm)	C (mm)
355095 03	3	400		5.0	10.1	11.7
355095 04	4	400		7.5	12.6	14.2
355095 05	5	400		10.0	15.1	16.7
355095 06	6	400		12.5	17.6	19.2
355095 07	7	400		15.0	20.1	21.7
355095 03 Z02	3	400		5.0	10.1	11.7
355095 04 Z02	4	400		7.5	12.6	14.2
355095 05 Z02	5	400		10.0	15.1	16.7
355095 06 Z02	6	400		12.5	17.6	19.2
355095 07 Z02	7	400		15.0	20.1	21.7

Designation to be completed by further details (e.g. for keying, color or material options).

**Packaging:**

on reel – in bar stock carriers upon request