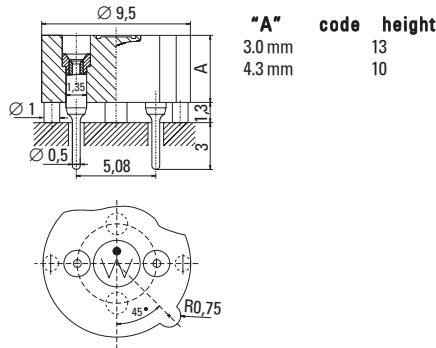
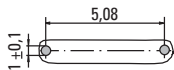


# Holder / No. 560

## PC Mount, for TR5®/TE5® Fuses



### Holes in PCB



## Specifications

**Packaging**  
1 bulk (1000 pcs.)  
0 bulk (500 pcs.)

**Order Number**  
Holder No. 560 0000 13 1  
Holder No. 560 0000 10 0  
Holder No. 560 0000 10 1

**Mounting**  
PC Board, 5.08 mm pin spacing

**Materials**  
Holder: Thermoplastic, UL 94 V-0  
Polyester PCT  
Metal parts: Copper alloy; solderable tinned

**Electrical Data (23 °C)**  
Rated Voltage: 250 V  
Max. Current/Power: 6.3 A/1.6 W

**Solderability**  
max. 280 °C, 10 s (Wave)

**Minimum Cross Section**  
Conducting path - 0.1 mm<sup>2</sup>

**Unit Weight**  
0,4 g

## WebLinks

Further info see:  
[www.wickmanngroup.com](http://www.wickmanngroup.com)

Further application info see fuseology:  
[www.wickmanngroup.com/download/fuseology.pdf](http://www.wickmanngroup.com/download/fuseology.pdf)



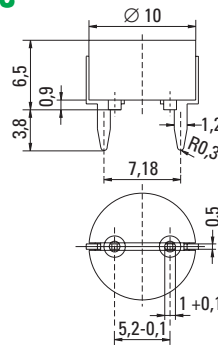
### Order Information

Qty.	Order-Number	Series	code height	Packaging
		560	0000	

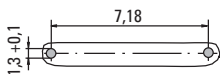
Specifications are subject to change without notice

# Holder / No. 559

## PC Mount, for TR5®/TE5® Fuses leadfree



### Holes in PCB



**Packaging**  
000 bulk (1000 pcs.)

**Mounting**  
PC Board, 7.18 mm pin spacing

**Materials**  
Holder: Black Thermoplastic, UL94 V-0  
Polyamide PA 6.6  
Metal parts: Copper alloy; solderable tinned

**Electrical Data (23 °C)**  
Rated Voltage: 250 V  
Max. Current/Power: 6.3 A/1.6 W

**Solderability**  
max. 260 °C, 10 s (Wave)

**Minimum Cross Section**  
Conducting path - 0.1 mm<sup>2</sup>

**Unit Weight**  
0.63 g

## WebLinks

Further infos see:  
[www.wickmanngroup.com](http://www.wickmanngroup.com)

Further application infos see Fuseology:  
[www.wickmanngroup.com/download/fuseology.pdf](http://www.wickmanngroup.com/download/fuseology.pdf)



### Order Information

Qty.	Order-Number	Series	Packaging
		559	0000 000

Specifications are subject to change without notice