

A87-2 / SMA87-2

Cascadable Amplifier
10 to 300 MHz

Rev. V3

Features

- LOW NOISE FIGURE: 3.0 dB (TYP.)
- HIGH FREQUENCY: 15 mA @ +5 Vdc (TYP.)
- HIGH OUTPUT POWER AT 5 VOLTS: +11 dBm (TYP.)
- LOW VSWR: <1.5:1 (TYP.)

Description

The A87-2 RF amplifier is a discrete hybrid design, which uses thin film manufacturing processes for accurate performance and high reliability.

This single stage bipolar transistor feedback amplifier design displays impressive performance over a broadband frequency range. Use of an impedance transformer offers the benefit of high dynamic range and high efficiency.

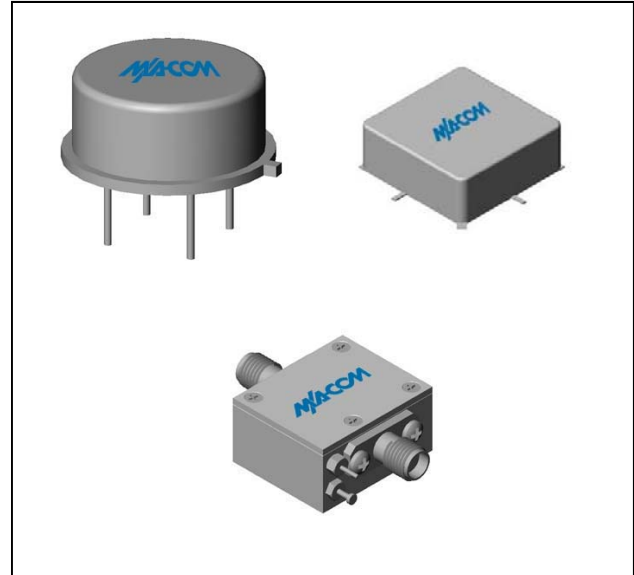
Both TO-8 and Surface Mount packages are hermetically sealed, and MIL-STD-883 environmental screening is available

Ordering Information

| Part Number | Package |
|-------------|-------------------|
| A87-2 | TO-8 |
| SMA87-2 | Surface Mount |
| CA87-2 ** | SMA Connectorized |

** The connectorized version is not RoHs compliant.

Product Image



Electrical Specifications: $Z_0 = 50\Omega$, $V_{CC} = +5 V_{DC}$

| Parameter | Units | Typical | Guaranteed | |
|---------------------------------|-------|---------------|---------------|----------------|
| | | 25°C | 0° to 50°C | -54° to +85°C* |
| Frequency | MHz | 5-350 | 10-300 | 10-300 |
| Small Signal Gain (min) | dB | 16.0 | 15.0 | 14.5 |
| Gain Flatness (max) | dB | ±0.2 | ±0.5 | ±0.8 |
| Reverse Isolation | dB | 20 | | |
| Noise Figure (max) | dB | 2.9 | 3.5 | 4.0 |
| Power Output @ 1 dB comp. (min) | dBm | 11.0 | 9.0 | 8.5 |
| IP3 | dBm | +24 | | |
| IP2 | dBm | +35 | | |
| Second Order Harmonic IP | dBm | +41 | | |
| VSWR Input / Output (max) | | 1.3:1 / 1.3:1 | 1.8:1 / 1.8:1 | 2.0:1 / 2.0:1 |
| DC Current @ 5 Volts (max) | mA | 15 | 17 | 18 |

Absolute Maximum Ratings

| Parameter | Absolute Maximum |
|--|------------------|
| Storage Temperature | -62°C to +125°C |
| Case Temperature | +125°C |
| DC Voltage | +10 V |
| Continuous Input Power | +13 dBm |
| Short Term Input power (1 minute max.) | 50 mW |
| Peak Power (3 µsec max.) | 0.5 W |
| "S" Series Burn-In Temperature (case) | +125°C |

Thermal Data: $V_{CC} = +5 V_{DC}$

| Parameter | Rating |
|---|---------|
| Thermal Resistance θ_{jc} | 185°C/W |
| Transistor Power Dissipation P_d | 0.034 W |
| Junction Temperature Rise Above Case T_{jc} | 6°C |

* Over temperature performance limits for part number CA87-2, guaranteed from 0°C to +50°C only.

1

ADVANCED: Data Sheets contain information regarding a product M/A-COM Technology Solutions is considering for development. Performance is based on target specifications, simulated results, and/or prototype measurements. Commitment to develop is not guaranteed.

PRELIMINARY: Data Sheets contain information regarding a product M/A-COM Technology Solutions has under development. Performance is based on engineering tests. Specifications are typical. Mechanical outline has been fixed. Engineering samples and/or test data may be available. Commitment to produce in volume is not guaranteed.

• **North America** Tel: 800.366.2266 • **Europe** Tel: +353.21.244.6400
 • **India** Tel: +91.80.4155721 • **China** Tel: +86.21.2407.1588
 Visit www.macomtech.com for additional data sheets and product information.

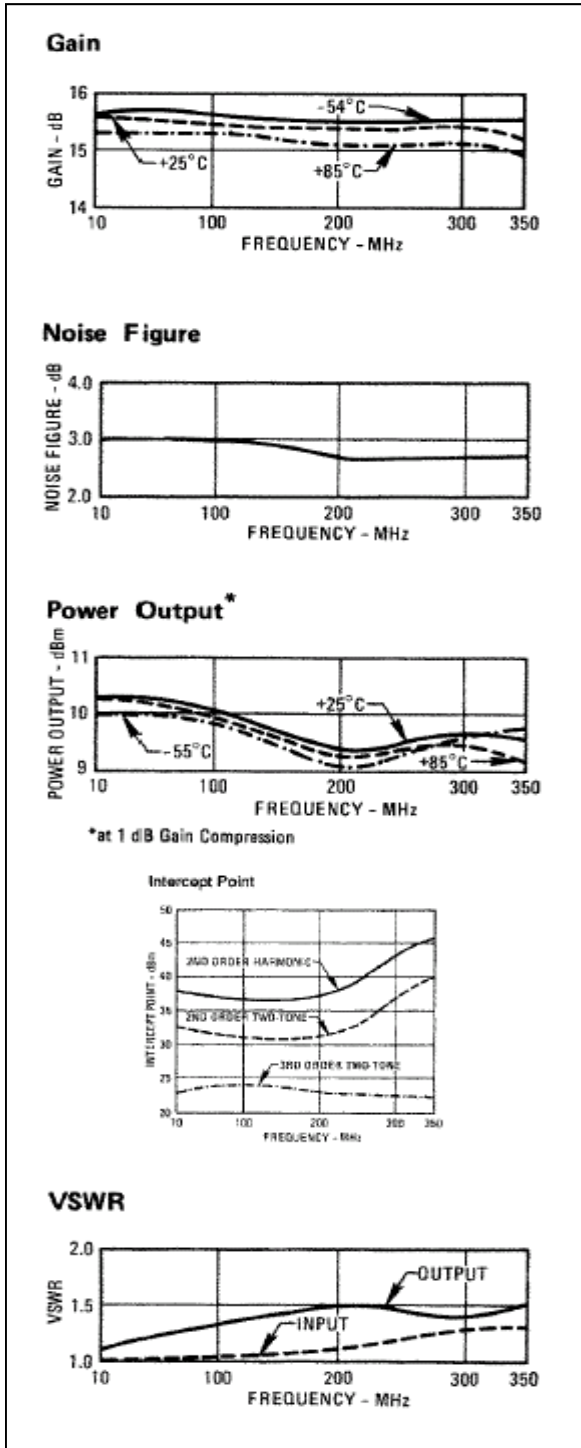
M/A-COM Technology Solutions Inc. and its affiliates reserve the right to make changes to the product(s) or information contained herein without notice.

A87-2 / SMA87-2

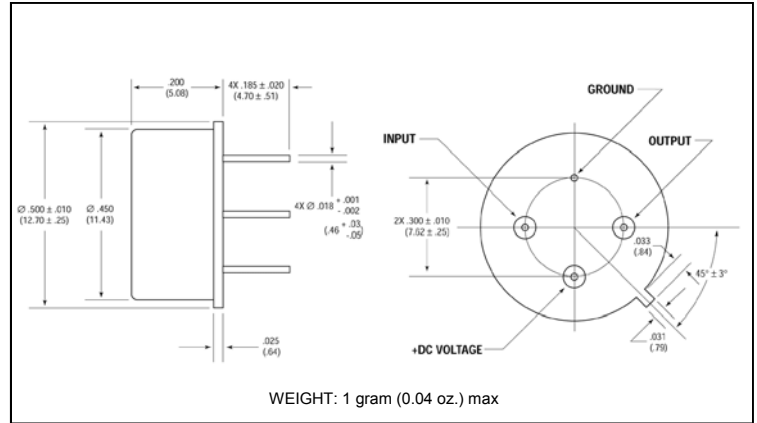
Cascadable Amplifier
10 to 300 MHz

Rev. V3

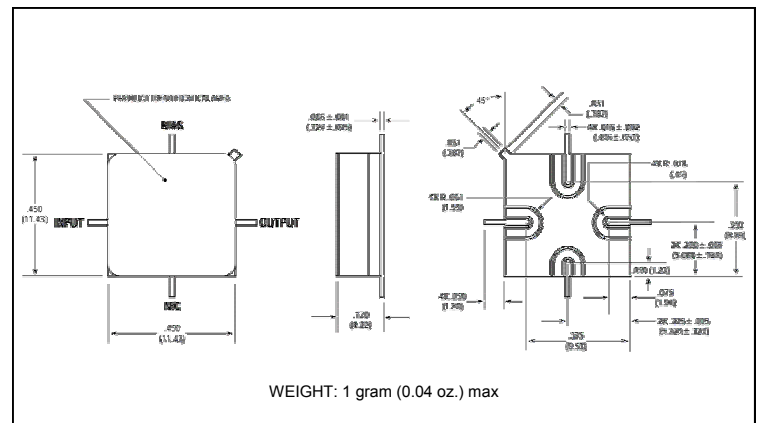
Typical Performance Curves at +25°C



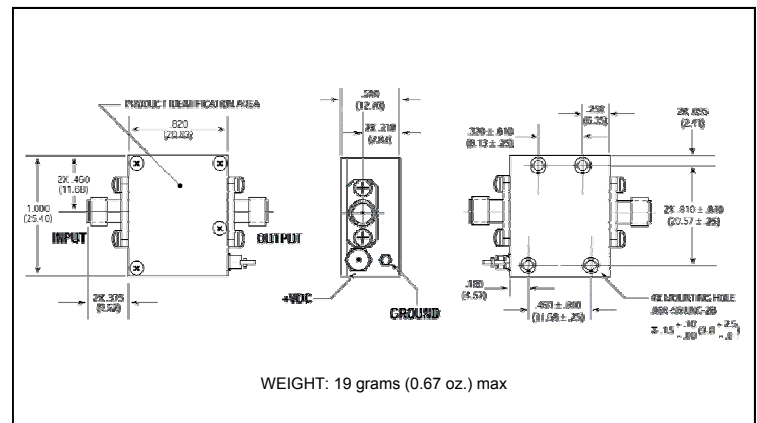
Outline Drawing: TO-8 *



Outline Drawing: Surface Mount *



Outline Drawing: SMA Connectorized *



* Dimensions are inches (millimeters) ±0.015 (0.38) unless otherwise specified.

ADVANCED: Data Sheets contain information regarding a product M/A-COM Technology Solutions is considering for development. Performance is based on target specifications, simulated results, and/or prototype measurements. Commitment to develop is not guaranteed.
PRELIMINARY: Data Sheets contain information regarding a product M/A-COM Technology Solutions has under development. Performance is based on engineering tests. Specifications are typical. Mechanical outline has been fixed. Engineering samples and/or test data may be available. Commitment to produce in volume is not guaranteed.

• **North America** Tel: 800.366.2266 • **Europe** Tel: +353.21.244.6400
 • **India** Tel: +91.80.4155721 • **China** Tel: +86.21.2407.1588
 Visit www.macontech.com for additional data sheets and product information.

M/A-COM Technology Solutions Inc. and its affiliates reserve the right to make changes to the product(s) or information contained herein without notice.