

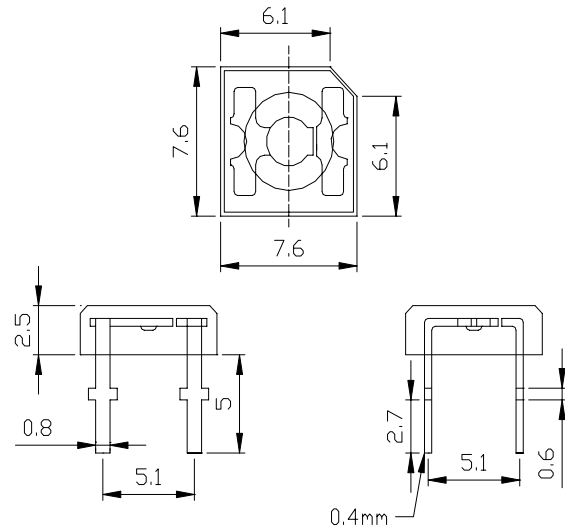
SUPER FLUX LED

BTF-08BLCS-XX-X

Product Features

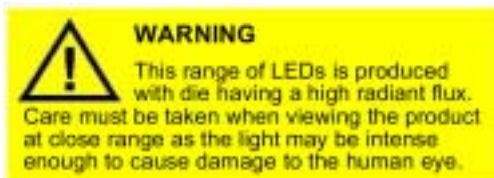
- Ultra Bright Blue Color
- High Light Output
- Flat head Super Flux Package
- Water Clear Lens
- Highly Reliable
- IC Compatible
- Leads without Stand Off

Package Dimension



Applications

- Outdoor Sign Board
- Automotive
- Front Panel Indicator
- Special Lighting
- General Purpose LEDs



Note: Industry standard procedures regarding static must be observed when handling this product.

Tolerance: $\pm \frac{\text{inch}}{\text{mm}}$ Unit: $\pm \frac{0.01}{0.25}$

Optical and Electrical Characteristics at $T_a=25$

| Parameter | Symbol | Minimum | Typical | Maximum | Units | Conditions |
|--------------------|-----------------|---------|---------|---------|---------------|---------------------------------|
| Luminous Intensity | I_v | 950 | 1500 | - | mcd | $I_F = 20\text{mA}$ (Note 1) |
| Viewing Angle | $2\theta_{1/2}$ | - | 120 | - | degree | $I_F = 20\text{mA}$ |
| Peak Wavelength | λ_P | 460 | - | 470 | nm | $I_F = 20\text{mA}$ (Note 2) |
| DC Forward Voltage | V_F | - | 3.3 | 4.0 | V | $I_F = 20\text{mA}$ |
| DC Reverse Current | I_R | 0 | - | 10 | μA | $V_R=5\text{V}$ |

Notes:

1. Light intensity measures the light sensing response standard using chromatic meter. Refer to the CIE eye-response curve set by International Lighting committee. Tolerance of minimum and maximum intensity = $\pm 15\%$
2. Wavelength range can be selected from the bin selection table. Tolerance of minimum and maximum = $\pm 2.5\text{nm}$
3. These products are sensitive to static electricity and care must be fully taken when handling products



DB LECTRO
COMPOSANTS ÉLECTRONIQUES
ELECTRONIC COMPONENTS

SUPER FLUX LED

BTF-08GMCS-XX-X

Absolute Maximum Ratings at $T_a=25$

| Symbol | Parameter | Max. | Unit |
|--|--|-------------|-----------------|
| P_D | Power Rating | 80 | mW |
| V_R | Reverse Voltage ($I_R=10\mu A$) | 5 | V |
| I_F | Continuous Forward Current | 30 | mA |
| I_{PF} | Peak Forward Current (0.1 duty cycle @ 1kHz) | 100 | mA |
| T_{opr} | Operating Temperature Range | -35 ~ + 80 | |
| T_{stg} | Storage Temperature Range | -40 ~ + 100 | |
| Lead Soldering Temperature [1.6mm (0.063inch) from body] | | 260 | - max 5 seconds |

Wavelength and Brightness Selection

BTF-08BLCS-XX-X

Wavelength Bin Selection

| Bin | Blue (nm) |
|-----------|-----------|
| B5 | 460~465 |
| B6 | 465~470 |
| XX | 460~470 |

Brightness Bin Selection

| Bin | Range (mcd) |
|----------|-------------|
| P | 950~1300 |
| Q | 1300~1800 |
| R | 1800~2500 |