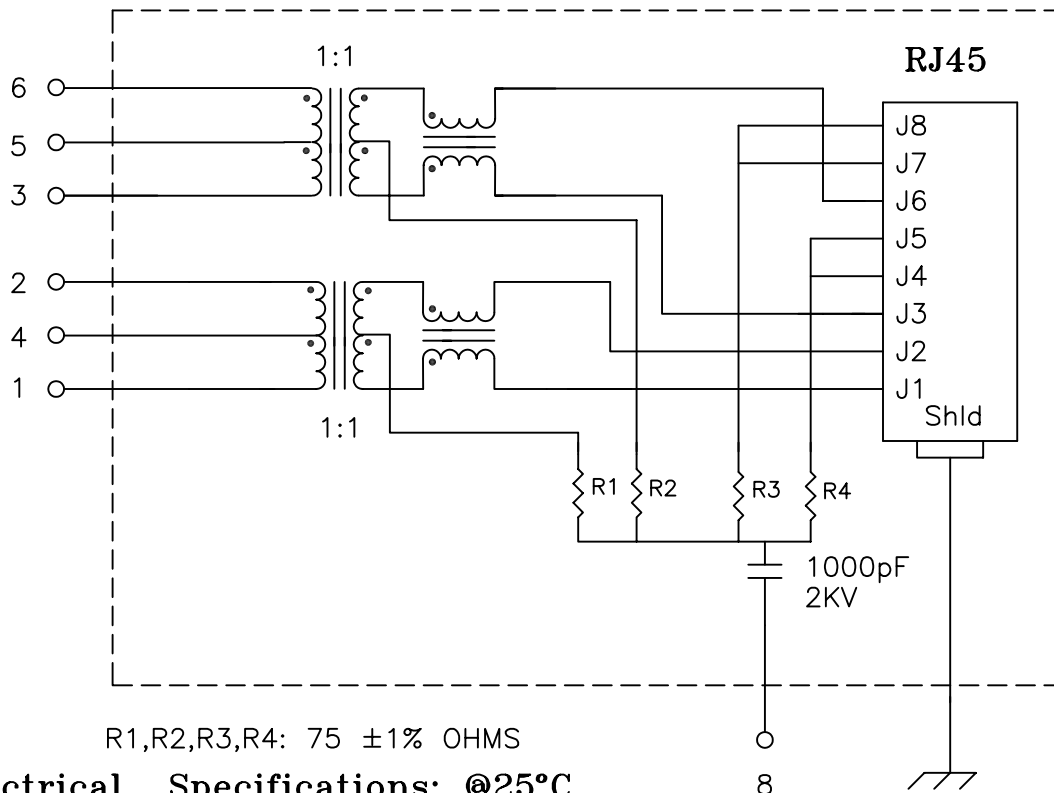


Schematic:



Electrical Specifications: @25°C

- Isolation Voltage: 1500 Vac
- Isolation Voltage: 500 Vac (1+2+4 to 3+5+6)
- UTP SIDE OCL: 350uH Min @100KHz 100mV 8mADC
- Leakage Inductance: P6-P3 0.3uH Max @1MHz 100mV Short J6 and J3
- Leakage Inductance: P2-P1 0.3uH Max @1MHz 100mV Short J2 and J1
- Cww: (P6, P5, & P3) to (J6 & J3) 30pF Max @1MHz 100mV
- Cww: (P2, P4, & P1) to (J2 & J1) 30pF Max @1MHz 100mV
- DCR: (J6-J3) = (J2-J1) 1.2 Ohms Max
- Rise Time (10-90%): 2.5ns Typ
- Insertion Loss (100KHz-100MHz): -1.2dB Max
- Return Loss: -18dB Min @1MHz - 30MHz
- Return Loss: -12dB Min @60MHz - 80MHz
- Crosstalk: 40dB Typ @1MHz to 100MHz
- Common Mode to Differential Mode Rejection:
30MHz-100MHz -35dB Typ (Tx) / -35dB Typ (Rx)
- Q: 18 Min @100KHz 100mV

Notes:

1. Solderability: Leads shall meet MIL-STD-202G, Method 208H for solderability.
2. Flammability: UL94V-0
3. ASTM oxygen index: > 28%
4. Insulation System: Class F 155°C. UL file E151556
5. Operating Temperature Range: All listed parameters are to be within tolerance from -40°C to +85°C
6. Storage Temperature Range: -55°C to +125°C
7. Aqueous wash compatible
8. Electrical and mechanical specifications 100% tested
9. RoHS Compliant Component

DOC REV: A/6

XFMRs Inc
www.XFMRs.com

Title:
SINGLE PORT COMBO W/O LED's

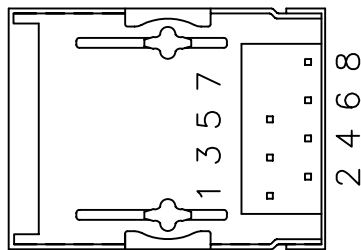
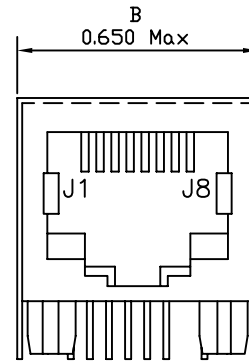
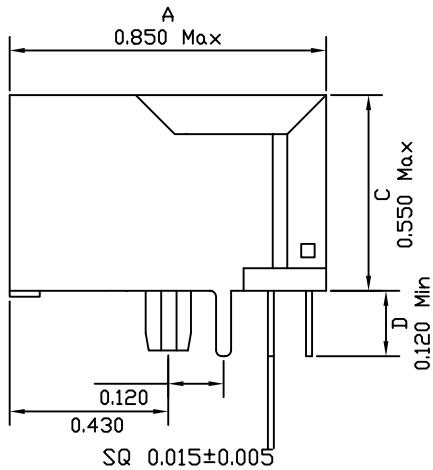
UNLESS OTHERWISE SPECIFIED
TOLERANCES:
.xxx ±0.010
Dimensions in Inch
SHEET 1 OF 2

P/N: XFATM2R-COMBO1-2MS		REV. A
DWN.	Mei Chen	Jan-19-10
CHK.	YK Liao	Jan-19-10
APP.	BW	Jan-19-10

PROPRIETARY:

Document is the property of XFMRs Group & is not allowed to be duplicated without authorization.

Mechanical Dimensions:

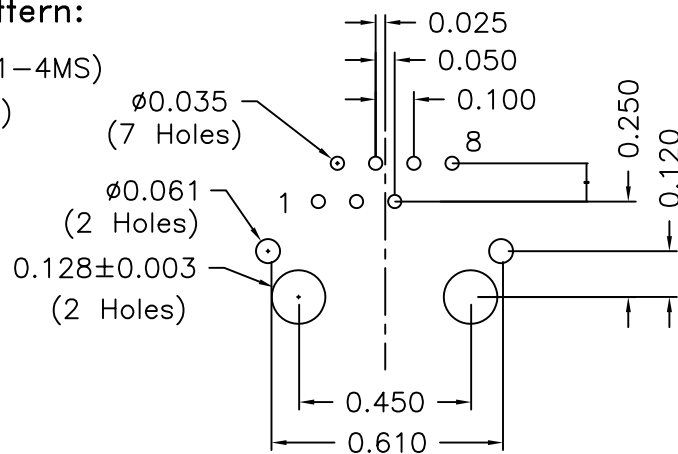


(BOTTOM VIEW)

*****Remove Pin#7

Mounting Pattern:

(FOR COMBO1-4MS)
(COMP SIDE)



DOC. REV A/6

XFMRs Inc.

Title: Mechanical Dimensions
For COMBO1-2MS Series

UNLESS OTHERWISE SPECIFIED
TOLERANCES:
.xxx ±0.010
Dimensions in Inch

XFATM2R-COMBO1-2MS

REV. A

DWN.

Mei Chen

Jan-19-10

CHK.

YK Liao

Jan-19-10

SHEET 2 OF 2

APP.

BW

Jan-19-10

PROPRIETARY:

Document is the property of XFMRs Group & is not allowed to be duplicated without authorization.