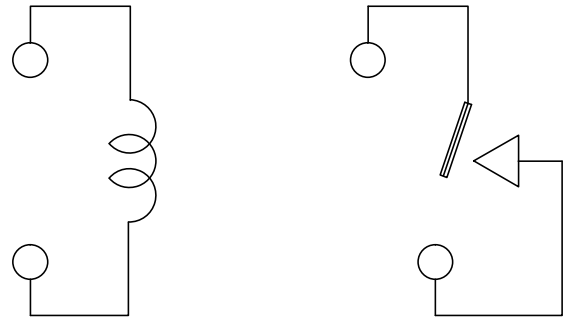
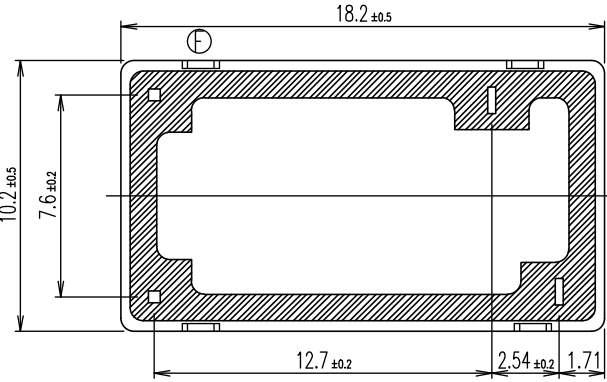
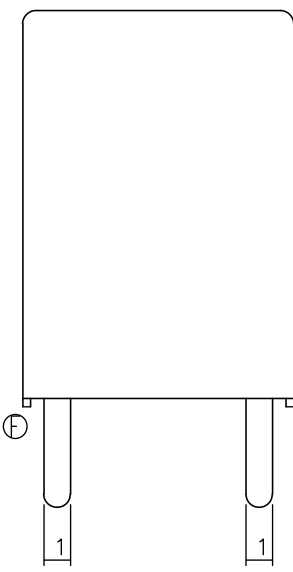
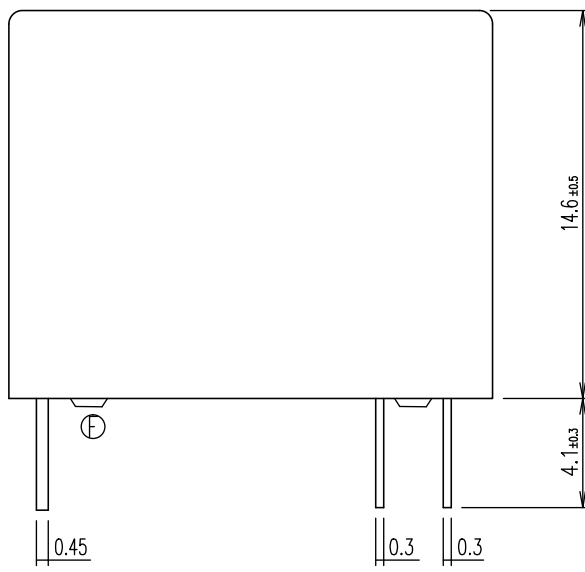
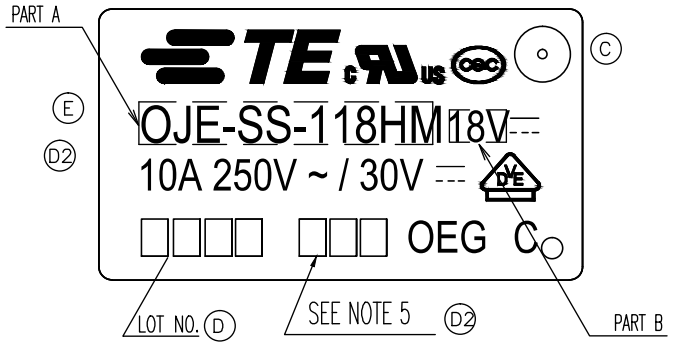


THIS DRAWING IS UNPUBLISHED. RELEASED FOR PUBLICATION

© COPYRIGHT By TE CONNECTIVITY ALL RIGHTS RESERVED.

| LOC | DIST | REVISIONS | | | |
|-----|------|---|-----------|------|------|
| P | LTR | DESCRIPTION | DATE | DWN | APVD |
| HB | - | | | | |
| | F | REMOVED THE RIB ON THE BASE TO CASE ECO-15-011310 | 03Nov2015 | YS.H | CHL |



CONNECTION FIGURE

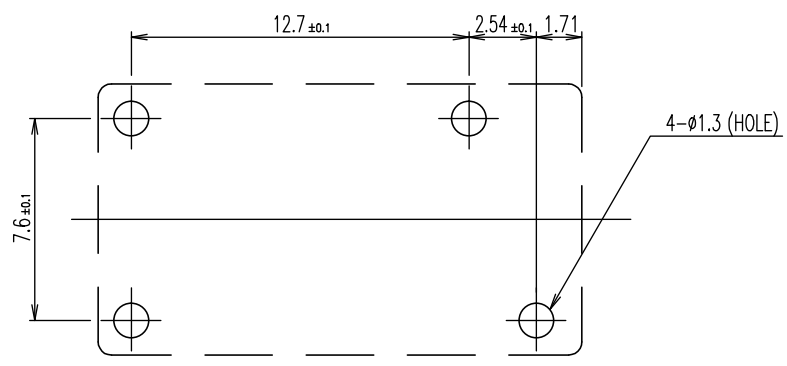


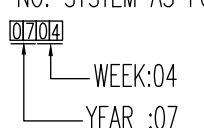
FIGURE FOR PRINTED CIRCUIT BOARD PROCESSING (BOTTOM VIEW)

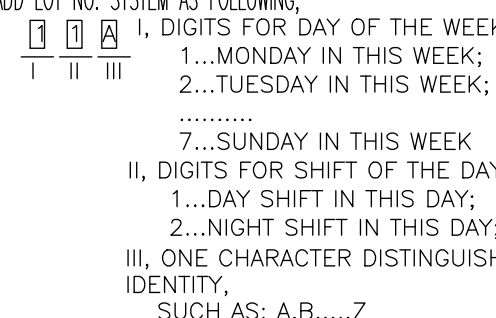
| | | | | | | |
|---|--|------------------|----------|-------------------------------------|------------|---------------|
| THIS DRAWING IS A CONTROLLED DOCUMENT. | | DWN | H.Sasaki | TE Connectivity | | |
| DIMENSIONS: mm | | CHK | Y.Oikawa | NAME | | |
| TOLERANCES UNLESS OTHERWISE SPECIFIED: | | APVD | A.Nagai | OJE-SS-HM SPEC,000 CUSTOMER DRAWING | | |
| 0 PLC ± - 1 PLC ± - 2 PLC ± - 3 PLC ± - 4 PLC ± - ANGLES ± - | | PRODUCT SPEC | - | SIZE | | |
| MATERIAL | | APPLICATION SPEC | - | CAGE CODE | DRAWING NO | RESTRICTED TO |
| FINISH | | WEIGHT | - | A3 | 00779 | 1461103 |
| CUSTOMER DRAWING | | | | SCALE | 5:1 | SHEET 1 OF 2 |
| | | | | REV | F | |

THIS DRAWING IS UNPUBLISHED. RELEASED FOR PUBLICATION
 © COPYRIGHT By- TE CONNECTIVITY ALL RIGHTS RESERVED.

| LOC | DIST | REVISIONS | | | | | |
|-----|------|-----------|-----|-------------|------|-----|------|
| HB | - | P | LTR | DESCRIPTION | DATE | DWN | APVD |
| | | - | - | SEE SHEET 1 | - | - | - |

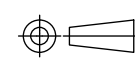
| 1461103-3 | OJE-SS-148HM, 000 | 48V | OJE-SS-148HM | h |
|-------------|-------------------|--------|--------------|------|
| 6-1419128-4 | OJE-SS-124HM, 000 | 24V | OJE-SS-124HM | g |
| 1461103-2 | OJE-SS-118HM, 000 | 18V | OJE-SS-118HM | f |
| 4-1419128-3 | OJE-SS-112HM, 000 | 12V | OJE-SS-112HM | e |
| 3-1419128-5 | OJE-SS-109HM, 000 | 9V | OJE-SS-109HM | d |
| 3-1419128-2 | OJE-SS-106HM, 000 | 6V | OJE-SS-106HM | c |
| 2-1419128-9 | OJE-SS-105HM, 000 | 5V | OJE-SS-105HM | b |
| 1461103-1 | OJE-SS-103HM, 000 | 3V | OJE-SS-103HM | a |
| PART NO | DESCRIPTION | PART B | PART A | TYPE |

ⓓ Ⓞ NOTES:
 1.LOT NO. SYSTEM AS FOLLOWING:


ⓓ 5.ADD LOT NO. SYSTEM AS FOLLOWING;


ⓓ 2.TERMINAL DIMENSION IS BEFORE SOLDER DIP;
 ⓓ 3.FOR THE TIN-PLATING OF THE PINS:
 +0.1mm FOR WIDTH,THICKENSS AND DIAMETER.
 +0.5mm FOR LENGTH.
 Ⓞ ⓓ 4.MARKING FROM INK TO LASER AND USING WELDED CONTACT

| | | EPOXY RESIN | SEAL (BASE & BOBBIN) | 15 |
|------------------|------------|-------------|----------------------|------|
| | | JUEW | MAGNETIC WIRE | 14 |
| 94V-0 | | P.B.T | CASE | 13 |
| 94V-0 | | P.B.T | BASE | 12 |
| 94V-0 | | P.B.T | BOBBIN | 11 |
| | SOLDER DIP | C.P WIRE | COIL TERMINAL | 10 |
| 94V-0 | | | CARD | 9 |
| | | Ag ALLOY | MOVABLE CONTACT | 8 |
| | | Ag | NO.CONTACT | 7 |
| | | STEEL | HINGE SPRING | 6 |
| | SOLDER DIP | PBP | NO.TERMINAL | 5 |
| | SOLDER DIP | Cu ALLOY | MOVABLE SPRING | 4 |
| | NIP | STEEL | CORE | 3 |
| | NIP | STEEL | ARMATURE | 2 |
| | NIP | STEEL | YOKE | 1 |
| INCOMBUSTIBILITY | TREATMENT | MATERIAL | DESCRIPTION | ITEM |

| | | | | |
|---|-------|--------|----------|---|
| THIS DRAWING IS A CONTROLLED DOCUMENT. | | DWN | H.Sasaki | - |
| DIMENSIONS: mm | | CHK | Y.Oikawa | - |
| TOLERANCES UNLESS OTHERWISE SPECIFIED: | | APVD | A.Nagai | - |
|  | 0 PLC | ± | - | PRODUCT SPEC - APPLICATION SPEC - WEIGHT - |
| | 1 PLC | ± | - | |
| | 2 PLC | ± | - | |
| | 3 PLC | ± | - | |
| MATERIAL | | FINISH | | |
| | | | | |

STE TE Connectivity

NAME: -
OJE-SS-HM SPEC,000 CUSTOMER DRAWING

SIZE: A3 CAGE CODE: 00779 DRAWING NO: 1461103 RESTRICTED TO: -

CUSTOMER DRAWING SCALE: 5:1 SHEET: 2 OF 2 REV: F