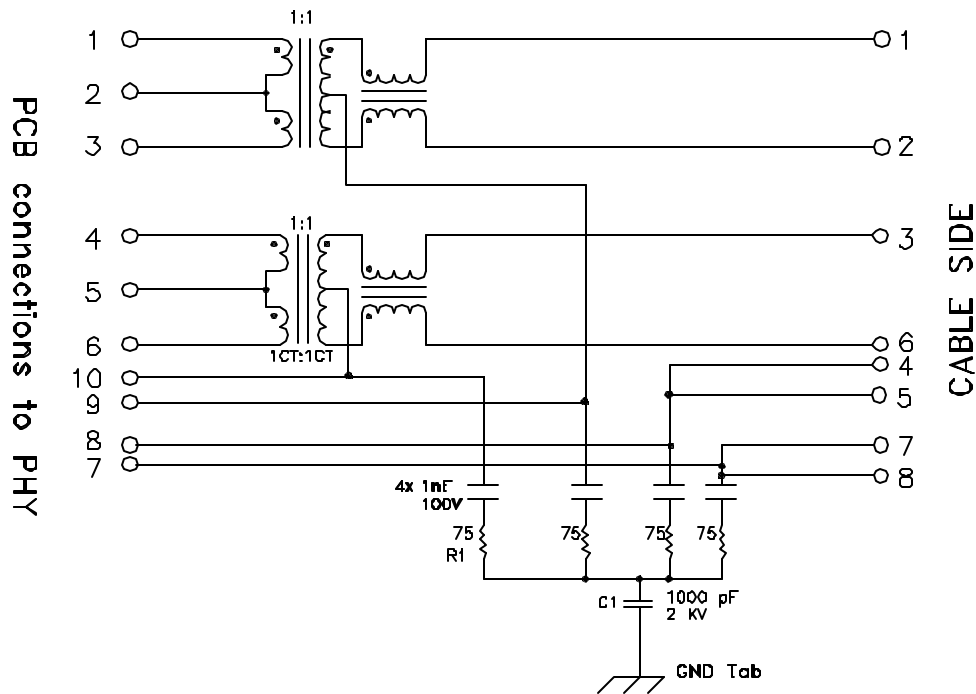


**Schematic:**



**Electrical Specifications: @25°C**

Isolation Voltage: 1500 VAc (Input to Output)

Turns Ratio: TX 1CT:1CT ±3% RX 1CT:1CT ±3%

Insertion Loss(TX/RX): -1.0dB Typ @1-100 MHz

Return Loss: 1-10MHz 30MHz 60-80MHz  
 -20dB -16dB -12dB (Typ)

Cross Talk: 1-10MHz 30MHz 60-80MHz  
 -40dB -35dB -30dB (Typ)

Common Mode Rejection: 1-50MHz 50-130MHz  
 -26dB -20dB(Typ)

DC Current: 350mA

**Notes:**

1. Solderability: Leads shall meet MIL-STD-202G, Method 208H for solderability.
2. Flammability: UL94V-0
3. ASTM oxygen index: > 28%
4. Insulation System: Class F 155°C. UL file E151556
5. Operating Temperature Range: All listed parameters are to be within tolerance from -40°C to +85°C
6. Storage Temperature Range: -55°C to +125°C
7. Aqueous wash compatible
8. Electrical and mechanical specifications 100% tested
9. RoHS Compliant Component

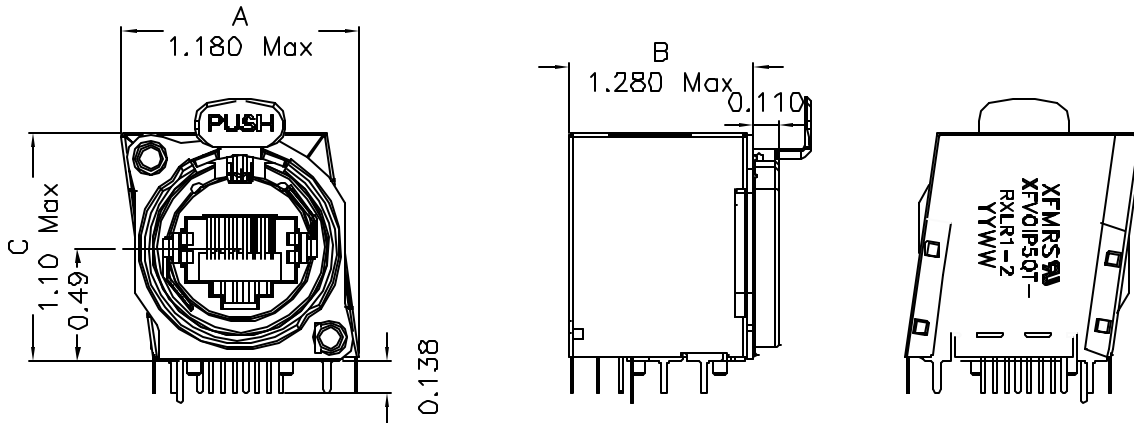
<b>XFMRs Inc.</b> www.XFMRS.com	Title: <b>SINGLE PORT XLR COMBO</b>		
	UNLESS OTHERWISE SPECIFIED		P/N: XFVOIP5QT-RXLR1-2
TOLERANCES: .xxx ±0.010	DWN.	Xiany	Sep-03-08
Dimensions in Inch	CHK.	YK Liao	Sep-03-08
SHEET 1 OF 2	APP.	BW	Sep-03-08

DOC. REV: A/2

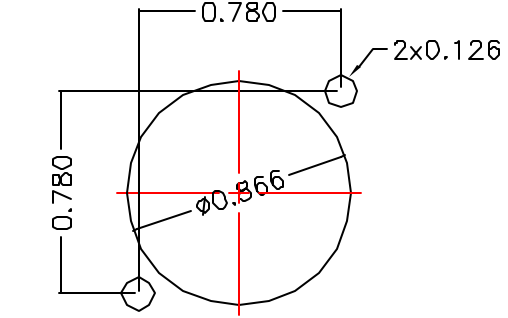
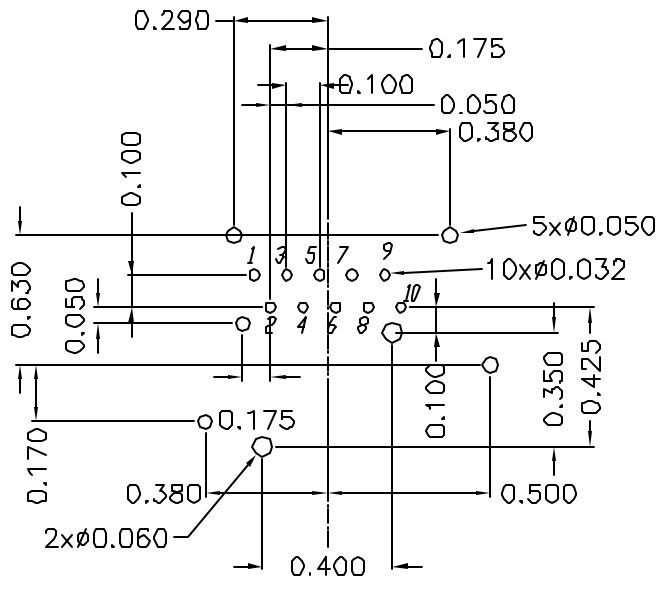
**PROPRIETARY:**

Document is the property of XFMRs Group & is not allowed to be duplicated without authorization.

**Mechanical Dimensions:**



**Mounting Pattern:**



Panel cut out(rear side)

SUGGESTED MOUNTING PATTERN (COMPONENT SIDE)

DOC. REV: A/2

<b>XFMRSA Inc.</b> www.XFMRS.com	Title: Mechanical Dimensions For RXLR1-2 Series		
	P/N: XFVDIP5QT-RXLR1-2		REV. A
UNLESS OTHERWISE SPECIFIED TOLERANCES: .xxx ±0.010 Dimensions in Inch	DWN.	Xiany	Sep-03-08
	CHK.	YK Liao	Sep-03-08
SHEET 2 OF 2	APP.	BW	Sep-03-08

**PROPRIETARY:**

Document is the property of XFMRSA Group & is not allowed to be duplicated without authorization.