



MC34018

LINEAR INTEGRATED CIRCUIT

VOICE SWITCHED SPEAKER-PHONE CIRCUIT

DESCRIPTION

The UTC MC34018 speaker-phone integrated circuit includes all the active circuitry and control functions to implement a high quality hands-free telephone system. The circuit includes a microphone amplifier, a speaker amplifier, level detectors, a background sound level monitoring system in both the transmit and receive channels and an attenuation system which can control the transmit and receive levels as well as the background level.

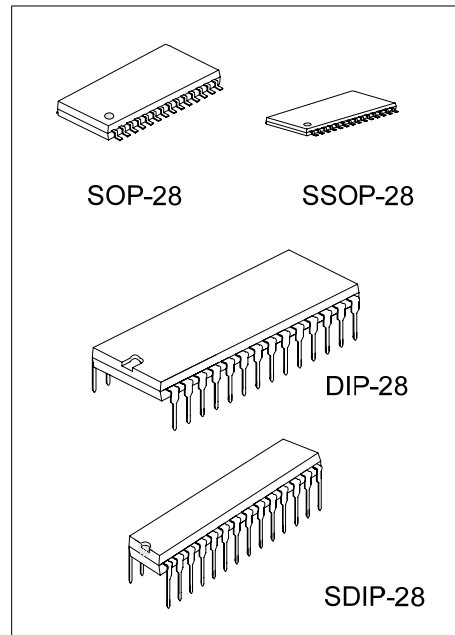
The applications include household and office speaker-phones, intercom systems, hand free kit for mobile phones, and others.

FEATURES

- * Chip Select pin for Power conservation (active/standby mode).
- * Integrated all necessary active circuitry for a hand-free telephone into one single chip.
- * Operating under wide dynamic range through signal compression technology.
- * Build-In voltage regulators illuminate external regulators for lining operation.
- * Monitoring system for background noise level.
- * Background sound level compensation for transmit and receive levels as well as the background level.
- * Power audio amplifier for typical 100mW output (into 25Ω) with peak limiting for speaker to minimize distortion.
- * Volume control function for external volume control circuit.

ORDERING INFORMATION

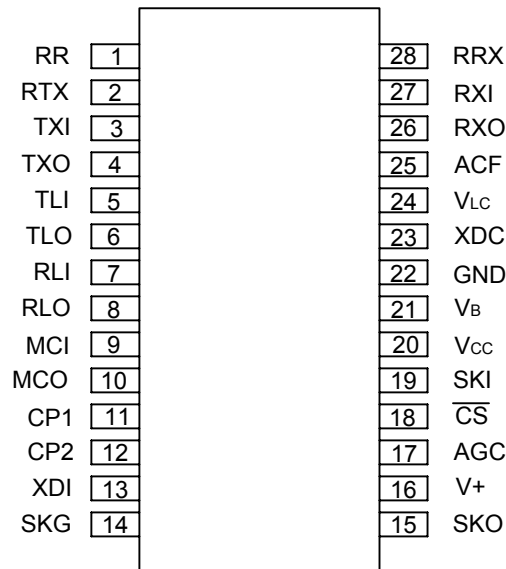
Order Number		Package	Packing
Normal	Lead Free Plating		
MC34018-D28-T	MC34018L-D28-T	DIP-28	Tube
MC34018-E28-T	MC34018L-E28-T	SDIP-28	Tube
MC34018-R28-R	MC34018L-R28-R	SSOP-28	Tape Reel
MC34018-R28-T	MC34018L-R28-T	SSOP-28	Tube
MC34018-S28-R	MC34018L-S28-R	SOP-28	Tape Reel
MC34018-S28-T	MC34018L-S28-T	SOP-28	Tube



*Pb-free plating product number:MC34018L

<p>MC34018L-D28-T</p>	<p>(1) Packing Type (2) Package Type (3) Lead Plating</p> <p>(1) R: Tape Reel, T: Tube (2) D28: DIP-28, E28: SDIP-28, S28: SOP-28, R28: SSOP-28 (3) L: Lead Free Plating, Blank: Pb/Sn</p>
-----------------------	--

■ PIN CONFIGURATION



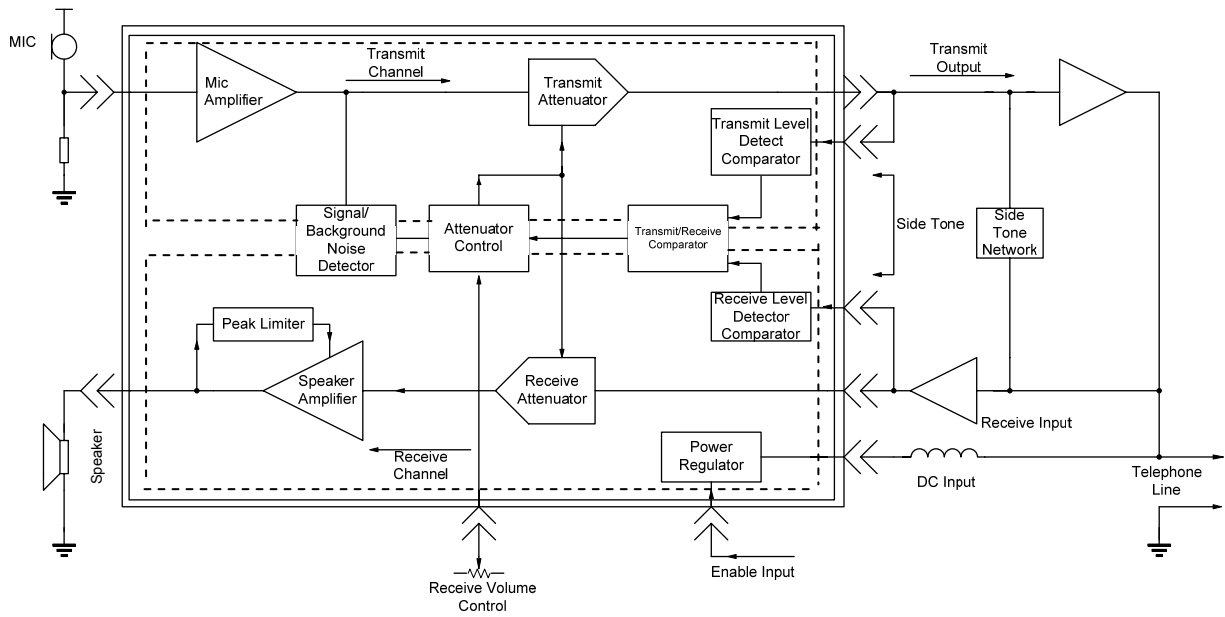
■ PIN DESCRIPTION

PIN NO.	PIN NAME	DESCRIPTION
1	RR	A resistor to ground provides a reference current for the transmit and receive attenuators
2	RTX	A resistor to ground determines the nominal gain of the transmit attenuator, the transmit channel gain is inversely proportional to RTX resistance.
3	TXI	Transmit Attenuator Input, Input resistance is nominally 5.0kΩ.
4	TXO	Transmit Attenuator Output, The TXO output signal drives the input of transmit level detector, as well as the external circuit which drives the telephone line.
5	TLI	Transmit Level detector Input. An external resistor ac coupled to The TLI pin sets the detection level. Decreasing this resistor increases the sensitivity to transmit channel signals.
6	TLO	Transmit Level detector Output. The external resistor and capacitor set the time the comparator will hold the system in the transmit mode after speech ceases.
7	RLI	Receive Level detector Input. An external resistor ac coupled to The RLI pin sets the detection level. Decreasing this resistor increases the sensitivity to receive channel signals.
8	RLO	Receive Level detector Output. The external resistor and capacitor set the time the comparator will hold the system in the receive mode after speech ceases.
9	MCI	Microphone amplifier input. Input impedance is nominally 10kΩ and the dc bias voltage is approximately equal to V _B
10	MCO	Microphone amplifier output. The MIC amp gain is internally set at 34dB (50V/V).
11	CP1	A parallel resistor and capacitor connected between this pin and V _{CC} holds a voltage corresponding to the background noise level. The transmit detector compares the CP1 voltage with the speech signal from CP2.
12	CP2	A capacitor at this pin peak detects the speech signals for comparison with the background noise level held at CP1.
13	XDI	Input to the transmit detector system. The microphone amplifier output is ac coupled to the XDI pin through an external resistor.
14	SKG	High current ground pin for the speaker amplifier output stage. The SKG voltage should be within 10mV of the ground voltage at pin 22.

■ PIN DESCRIPTION(Cont.)

PIN NO.	PIN NAME	DESCRIPTION
15	SKO	Speaker amplifier output. The SKO pin will source and sink up to 100mA when ac coupled to the speaker. The speaker amplifier gain is internally set at 34dB (50V/V).
16	V+	Input DC supply voltage. V+ can be powered from Tip and Ring if an ac decoupling inductor is used to prevent loading ac line signals. The required V+ voltage is 6.0V to 11V (7.5V nominal) at 7.0mA.
17	AGC	A capacitor from this pin to V _B stabilizes the speaker amplifier gain control loop, and additionally controls the attack and decay time of this circuit. The gain control loop limits the speaker amplifier input to prevent clipping at SKO. The internal resistance at AGC pin is nominally 110kΩ.
18	CS	Digital chip select input. When at a logic "0" (<0.7V) the V _{CC} regulator is enabled. When at a logic "1" (>1.6V), the chip is in the standby mode drawing 0.5mA. An open CS pin is a logic "0". Input impedance is nominally 140k ohms. The input voltage should not exceed 11V.
19	SKI	Input to the speaker amplifier. Input impedance is nominally 20kΩ.
20	V _{CC}	A 5.4V regulated output which powers all circuits except the speaker amplifier output stage. V _{CC} can be used to power external circuitry such as a microprocessor(3.0mA max.) A filter capacitor is required. The UTC MC34018 can be powered by a separate regulated supply by connecting V+ and V _{CC} to a voltage between 4.5V and 6.5V while maintaining CS at a logic "1".
21	V _B	An output voltage equal to approximately V _{CC} /2 which series as an analog ground for the speakerphone system. Up to 1.5mA of external load current may be sourced from V _B . Output impedance is 250 ohms. A filter capacitor is required.
22	GND	Ground pin for the IC(except the speaker amplifier)
23	XDC	Transmit detector output. A resistor and capacitor at his pin hold the system in the transmit mode during pauses between words or phrases. When the XDC pin voltage decays to ground, the attenuators switch from the transmit mode to idle mode. The internal resistor at XDC is nominally 2.6k ohms(see Fig.1).
24	V _{LC}	Volume control input>connecting this pin to the slider of a variable resistor provides receive mode volume control. The V _{LC} pin voltage should be less than or equal to V _B .
25	ACF	Attenuator control filter. A capacitor connected to this pin reduces noise transient as the attenuator control switches level of attenuation.
26	RXO	Receive attenuator Output. Normally this pin is ac coupled to the input of the speaker amplifier.
27	RXI	Receive attenuator Input. Input impedance is nominally is 5.0kΩ.
28	RRX	A resistor to ground determines the nominal gain of the receive attenuator. The receive channel gain is directly proportional to the RRX resistance.

■ BLOCK DIAGRAM



■ ABSOLUTE MAXIMUM RATINGS (Ta=25°C, Voltage referred to pin 22.)

PARAMETER	SYMBOL	RATINGS	UNIT
V+ terminal Voltage (pin 16)		+12, -1.0	V
CS (pin 18)		+12, -1.0	V
Speaker amplifier Ground(pin 14)		+3.0, -1.0	V
V _{LC} (pin 24)		+V _{CC} , -1.0	V
Storage temperature	T _{STG}	-65 ~ +150	°C

Note: Absolute maximum ratings are those values beyond which the device could be permanently damaged.

Absolute maximum ratings are stress ratings only and functional device operation is not implied.

■ RECOMMENDED OPERATION CONDITIONS

PARAMETER	SYMBOL	RATINGS	UNIT
V+ Terminal Voltage (pin 16)		+6.0 ~ +11	V
CS (pin 18)		0 ~ +11	V
V _{LC} (pin 24)		0.55V _B ~ V _B	V
Receive Signal(pin 27)		0 ~ 250	mVrms
Microphone Signal(pin 9)		0 ~ 5.0	mVrms
Speaker Amplifier Ground (pin 14)		-10 ~ +10	mVdc
I _{CC} (pin 20)		0 ~ 3.0	mA
Ambient Temperature	T _A	-20 ~ +60	°C

■ TEMPERATURE CHARACTERISTICS (-20 ~ +60°C)

PARAMETER	PIN	TYP CHANGE	UNIT
V+ Supply Current (V+ 11V, Pin 18 = 0.7V)	16	-0.2	%/°C
V+ Supply Current(V+ 11V, Pin 18 = 1.6V)	16	-0.4	%/°C
V _{CC} Voltage(V+ = 7.5V)	20	+0.1	%/°C
Attenuator Gain (Max and Min Setting)		±0.003	dB/°C
Delta RXO, TXO Voltage	4,26	±0.24	%/°C
Speaker AMP Gain	15,19	±0.001	dB/°C
Microphone AMP Gain	9,10	±0.4	dB/°C
Microphone Amp Input Resistance	9	+0.4	%/°C
Tx-Rx Switching Threshold (20μA)	5,7	±0.2	nA/°C

■ ELECTRICAL CHARACTERISTICS (Referred to Fig.1)

PARAMETER	SYMBOL	TEST CONDITIONS	MIN	TYP	MAX	UNIT
SUPPLY VOLTAGES						
V _{CC} Voltage	V _{CC}	V+=7.5V	4.9	5.4	5.9	Vdc
Line Regulation	ΔV _{CCLN}	6.5V<V+<11V		65	150	mV
Dropout Voltage	V _D	V+=5.0V		80	300	mV
V _B Voltage	V _B	V+=7.5V	2.5	2.9	3.3	Vdc
V+ Supply Current	I _{V+}	V+=11V, Pin 18=0.7V			9.0	mA
		V+=11V, Pin 18=1.6V			800	μA
Output Resistance	R _{OUT}	I _{CC} =3mA		6.0	20	Ω
Output Resistance	R _{OUT}	I _B =1.7mA		250		Ω
ATTENUATORS						
Receive Attenuator Gain (1.0kHz)	G _{RX}		2.0	6.0	10	dB
Rx Mode, Pin 24= V _B Pin 27 = 250mVrms	ΔG _{RX}		40	44	48	dB
Range (Rx to Tx Modes) Idle Mode, Pin 27= 250mVrms	G _{RI}		-20	-16	-12	dB

■ ELECTRICAL CHARACTERISTICS (Cont.)

PARAMETER	SYMBOL	TEST CONDITIONS	MIN	TYP	MAX	UNIT
RXO Voltage (Rx Mode)	V_{RXO}		1.8	2.3	3.2	mV
Delta RXO Voltage (Switch from Rx to Tx Mode)	ΔV_{RXO}				100	mV
RXO Sink Current (Rx mode)	I_{RXOL}		75			μA
RXO Source Current (Rx mode)	I_{ROXH}		1.0		3.0	mA
RXI Input Resistance	R_{RXI}		3.5	5.0	8.0	k Ω
Volume Control Range	V_{CR}	Rx Attenuator Gain, Rx Mode, $0.6V_B < Pin\ 24 < V_B$	24.5		32.5	dB
ATTENUATORS						
TXO Voltage (Tx mode)	V_{TXO}		1.8	2.3	3.2	Vdc
Delta TXO Voltage (switch from Tc to Rx Mode)	ΔV_{TXO}				100	mV
ACF Voltage (V_{CC} -Pin 25 Voltage)	ΔV_{ACF}	Rx Mode		150		mV
		Tx Mode		6.0		mV
		Idle Mode		75		mV
Transmit Attenuator Gain(1.0kHz)	G_{TX}		4.0	6.0	8.0	dB
Tx Mode, Pin 3 = 250mVrms	ΔG_{TX}		40	44	48	dB
Range, (Tx to Rx Mode) Idle Mode, Pin 3 = 250Mvrms	G_{TXI}		-16.5	-13	-8.5	dB
TXO Sink Current (Tx mode)	I_{SINK}		75			μA
TXO Source Current (Tx mode)	I_{SOURCE}		1.0		3.0	mA
TXO Input Resistance	R_{IN}		3.5	5.0	8.0	k Ω
SPEAKER AMPLIFIER						
Speaker Amp Gain	G_{SPK}	Pin 19 = 20mVrms	33	34	35	dB
SKI Input Resistance	R_{IN}		15	22	37	k Ω
SKO Voltage	$V_{O(SKO)}$	Pin 19 =Cap couple to GND	2.4	3.0	3.6	Vdc
SKO Voltage	High	V_{SKOH}	Pin 19 = 0.1V, -100mA Load at Pin 15	5.5		Vdc
	Low	V_{SKOL}	Pin 19=0.1V +100mA Load at Pin 15		600	mV
MICROPHONE AMPLIFIER						
Microphone Amp Gain	G_{MCI}	Pin 9 = 10mVrms,1KHz	32.5	34	35	dB
Microphone Amp Input Resistance	R_{MCI}		6.5	10	16	k Ω
LOGAMPS						
Leakage Current	RLO	I_{LEAK}	Pin 8 = $V_B+1.0V$		2.0	μA
	TLO		Pin 6 = $V_B+1.0V$		2.0	μA
Transmit-Receive Switching Threshold	I_{TH}	Ratio of ITLI to IRLI - at 20 μA -to Switch Tx-Rx Comparator)	0.8		1.2	
TRANSMIT DETECTOR						
XDC Voltage	Idle Mode	V_{XDC}		0		Vdc
	Tx Mode			4.0		Vdc
CP2 Current Source	I_{CP2}		5.0	10	13	μA
Distortion						
Rx Mode, RXI to SKO	R_{XD}	Pin 27 = 10mVrms,1KHz		1.5		%
Tx Mode, MCI to TXO	T_{XD}	Pin 9 = 5mVrms,1KHz		2.0		%

Note 1: $V_+ = 7.5V$, $V_- = 0.7V$ except where noted.

Note 2: Rx mode: Pin7=-100 μA , Pin5=+100 μA , except where noted.

Tx mode: Pin 5,13=-100 μA , pin 7=+100 μA , Pin 11=0V.

Idle mode: Pin 5=-100 μA , pin 7, 13=+100 μA .

Note 3: Current into a pin designed as +, current out of a pin designed

Note 4: Voltage referred to pin 22, $T_a = 25^\circ C$.

TEST CIRCUIT

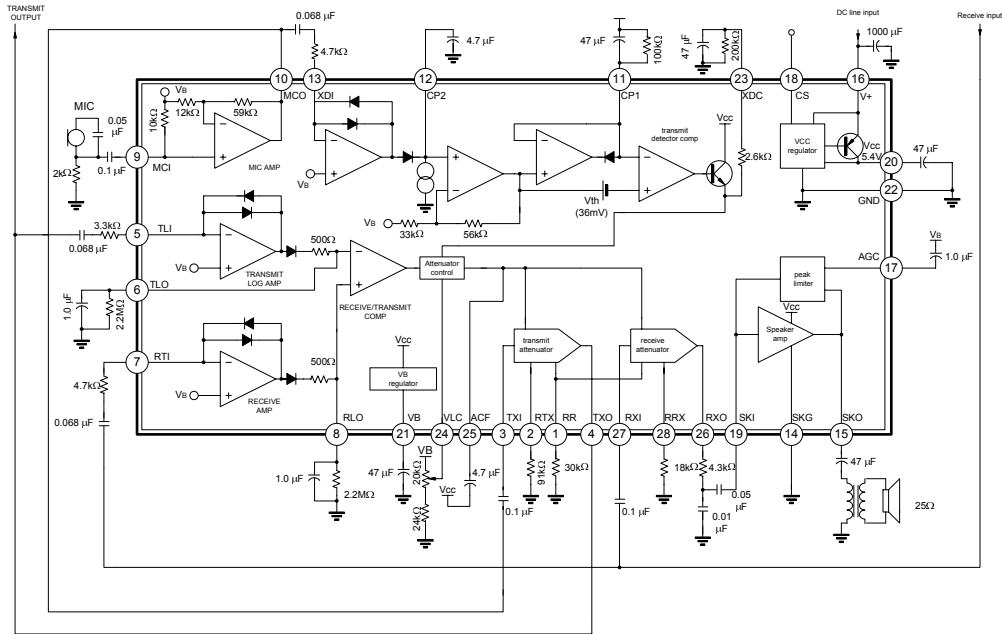


Fig 1 Test circuit

BASIC LINE POWERED SPEAKERPHONE

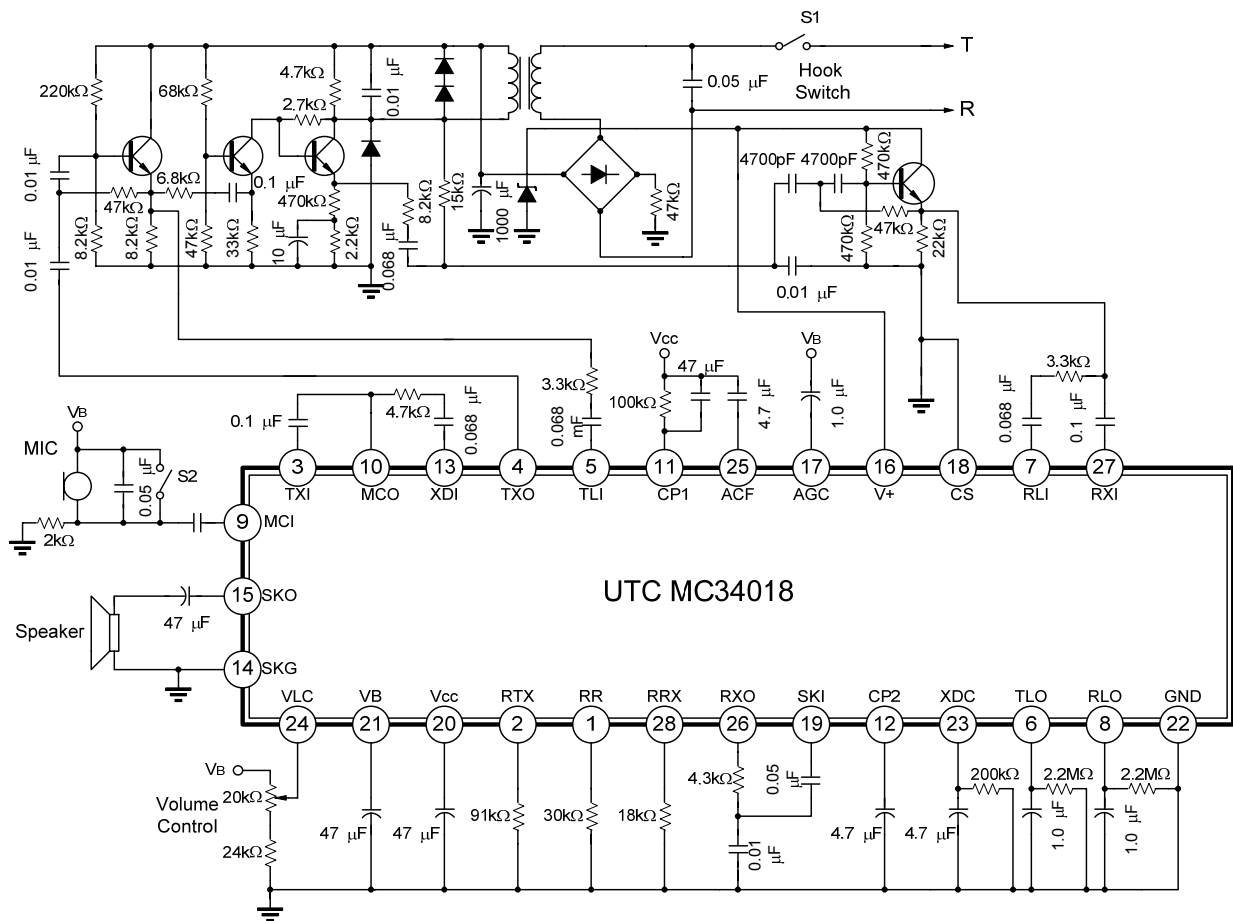


Fig 2

UTC assumes no responsibility for equipment failures that result from using products at values that exceed, even momentarily, rated values (such as maximum ratings, operating condition ranges, or other parameters) listed in products specifications of any and all UTC products described or contained herein. UTC products are not designed for use in life support appliances, devices or systems where malfunction of these products can be reasonably expected to result in personal injury. Reproduction in whole or in part is prohibited without the prior written consent of the copyright owner. The information presented in this document does not form part of any quotation or contract, is believed to be accurate and reliable and may be changed without notice.