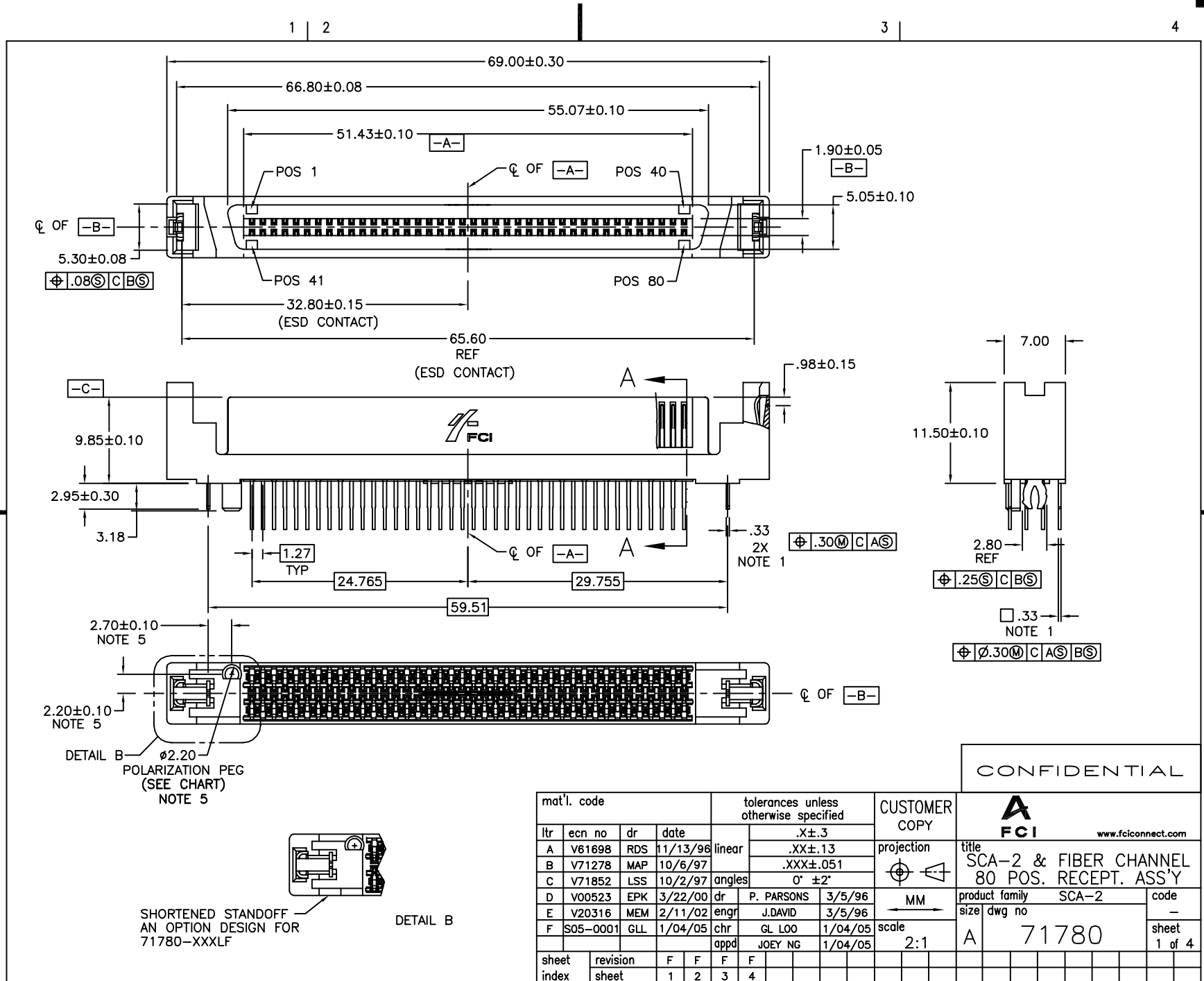


Tous droits strictement reserves. Reproduction ou communication a des tiers interdite sous quelque forme que ce soit sans autorisation ecrite du proprietaire. Propriete de c FCI. Droits de reproduction FCI.

All rights strictly reserved. Reproduction or issue to third parties in any form whatever is not permitted without written authority from the proprietor. Property of FCI. Copyright FCI.



CONFIDENTIAL

mat'l. code				tolerances unless otherwise specified		CUSTOMER COPY	FCI www.fciconnect.com	
ltr	ecn no	dr	date	linear	angles		projection	title
A	V61698	RDS	11/13/98	.XX±.3	0° ±2°	MM	SCA-2 & FIBER CHANNEL	
B	V71278	MAP	10/6/97	.XX±.13			product family	SCA-2
C	V71852	LSS	10/2/97	.XXX±.051		size	dwg no	
D	V00523	EPK	3/22/00	0' ±2'		scale		
E	V20316	MEM	2/11/02			2:1	A 71780	
F	S05-0001	GLL	1/04/05				code	
							1 of 4	
sheet index	revision sheet	F 1	F 2	F 3	F 4			

cage code 22526

ACAD

PDM: Rev:F

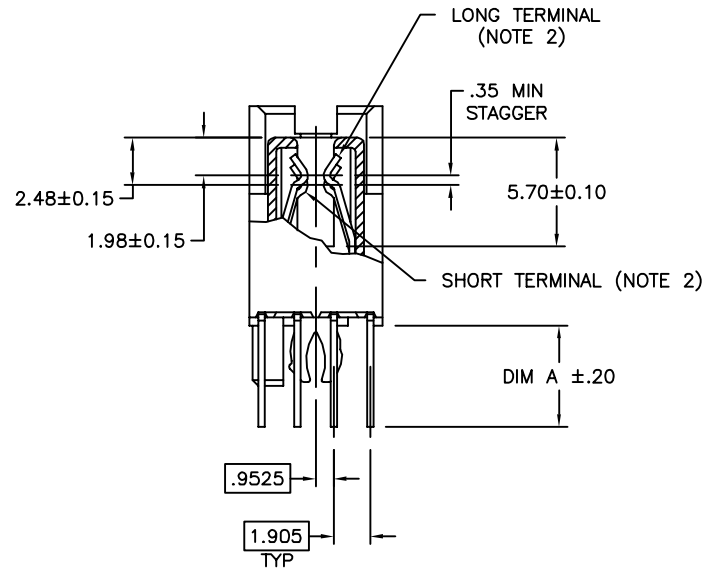
STATUS: Released

Printed: May 26, 2010

Tous droits strictement reserves. Reproduction ou communication a des tiers interdite sous quelque forme que ce soit sans autorisation ecrite du proprietaire. Propriete de c FCI. Droits de reproduction FCI.



All rights strictly reserved. Reproduction or issue to third parties in any form whatever is not permitted without written authority from the proprietor. Property of FCI. Copyright FCI.



SECTION A-A

CONFIDENTIAL

mat'l. code		tolerances unless otherwise specified		CUSTOMER COPY		www.fciconnect.com					
ltr	ecn no	dr	date	linear	.X±.3	projection					
F					.XX±.13						
					.XXX±.051						
				angles	0° ±2°		title SCA-2 & FIBER CHANNEL 80 POS. RECEPT. ASS'Y				
		dr	P. PARSONS	3/5/96	MM			product family	SCA-2	code	-
		enfr	J. DAVID	3/5/96	scale 3:1			size	dwg no		
		chr	GL L00	1/04/05				A	71780	sheet 2 of	
		appd	JOEY NG	1/04/05							
sheet index	revision sheet										

cage code 22526

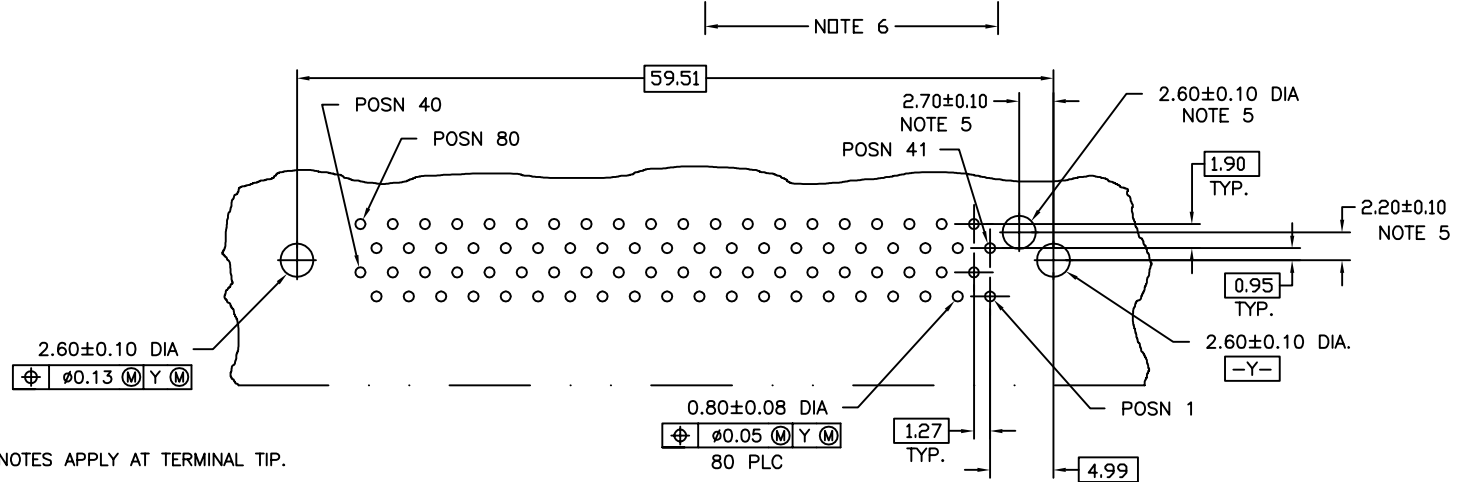
ACAD

Tous droits strictement reserves. Reproduction ou communication a des tiers interdite sous quelque forme que ce soit sans autorisation ecrite du proprietaire. Propriete de c FCI. Droits de reproduction FCI.

FCI

All rights strictly reserved. Reproduction or issue to third parties in any form whatever is not permitted without written authority from the proprietor. Property of FCI. Copyright FCI.

PRODUCT NO.	"A" DIM	POLARIZATION PEG	PLATING	RECOMMENDED P.C. BOARD THICKNESS	PRODUCT NO.	PLATING
71780-001	2.79	YES		1.57mm (0.062")	71780-101	NOTE ⑥
-002	2.79	NO			-102	
-003	3.18	YES	NOTE ④	2.36mm (0.093")	-103	
-004	3.18	NO			-104	
-005	4.06	YES		3.18mm (0.125")	-105	
71780-006	4.06	NO			71780-106	



NOTES :

- ① TRUE POSITION NOTES APPLY AT TERMINAL TIP.
- ② CONTACTS IN POSITIONS 2 THRU 35, 44 AND 47 THRU 74 ARE SHORT TERMINALS. CONTACTS IN POSITIONS 1, 36 THRU 43, 45, 46, AND 75 THRU 80 ARE LONG TERMINALS.
- ③ RAW MATERIALS:
HOUSING: HTN, UL94V-0, COLOR: BLACK
CONTACTS: PHOSPHOR-BRONZE
- ④ CONTACT PLATING: 30u" (0.76um) MIN. GXT PLATING OVER 50u" (1.27um) NICKLE MIN. UNDERPLATE IN CONTACT AREA. 100u" (2.54um) MIN. TIN-LEAD PLATING OVER 50u" (1.27um) MIN. NICKLE UNDERPLATE IN P.C. BOARD LEG AREA. 50u" (1.27um) MIN. NICKLE UNDERPLATE OVER REMAINING AREA.
- ⑤ DIMENSIONS DO NOT APPLY TO CONNECTOR STYLES WITHOUT POLARIZATION PEG. (SEE CHART)
- ⑥ CONTACT PLATING: 30u" (0.76um) MIN. GOLD PLATING OVER 50u" (1.27um) NICKLE MIN. UNDERPLATE IN CONTACT AREA. 100u" (2.54um) MIN. TIN-LEAD PLATING OVER 50u" (1.27um) MIN. NICKLE UNDERPLATE IN P.C. BOARD LEG AREA. 50u" (1.27um) MIN. NICKLE UNDERPLATE OVER REMAINING AREA.

RECOMMENDED PC BOARD MOUNTING DIMENSIONS COMPONENT SIDE

CONFIDENTIAL

mat'l. code				tolerances unless otherwise specified		CUSTOMER COPY		 www.fciconnect.com			
ltr	ecn no	dr	date	linear	.X±.3	projection		title			
F					.XX±.13			SCA-2 & FIBER CHANNEL		80 POS. RECEPT. ASS'Y	
					.XXX±.051			product family		SCA-2	
				angles	0° ±2°	MM	scale	size	dwg no		
				dr	P. PARSONS	3/5/96	2:1	A	71780		
				engr	J. DAVID	3/5/96					
				chr	GL LOO	1/04/05					
				appd	JOEY NG	1/04/05					
sheet index	revision sheet										

cage code 22526

ACAD

PDM: Rev:F

STATUS: Released

Printed: May 26, 2010

Tous droits strictement reserves. Reproduction ou communication a des tiers interdite sous quelque forme que ce soit sans autorisation ecrite du proprietaire. Propriete de c FCI. Droits de reproduction FCI.



All rights strictly reserved. Reproduction or issue to third parties in any form whatever is not permitted without written authority from the proprietor. Property of FCI. Copyright FCI.

PRODUCT NO.	"A" DIM	POLARIZATION PEG	PLATING	RECOMMEDED P.C. BOARD THICKNESS	PRODUCT NO.	PLATING
71780-001LF	2.79	YES	NOTE ⑧	1.57mm (0.062")	71780-101LF	NOTE ⑦
-002LF	2.79	NO			-102LF	
-003LF	3.18	YES		2.36mm (0.093")	-103LF	
-004LF	3.18	NO			-104LF	
-005LF	4.06	YES		3.18mm (0.125")	-105LF	
71780-006LF	4.06	NO			71780-106LF	

NOTE 7

NOTES :

- ⑦ CONTACT PLATING: 30u" (0.76um) GOLD PLATING OVER 50u" (1.27um) NICKLE UNDERPLATE IN CONTACT AREA. 100u" (2.54um) - 200u"(5.08um) TIN PLATING OVER 50u" (1.27um) -100u" (2.54um) NICKEL UNDERPLATE IN P.C. BOARD LEG AREA. 50u" (1.27um) NICKEL UNDERPLATE OVER REMAINING AREA.
- ⑧ CONTACT PLATING: 30u" (0.76um) GXT PLATING OVER 50u" (1.27um) NICKLE UNDERPLATE IN CONTACT AREA. 100u" (2.54um) - 200u"(5.08um) TIN PLATING OVER 50u" (1.27um) -100u" (2.54um) NICKEL UNDERPLATE IN P.C. BOARD LEG AREA. 50u" (1.27um) NICKEL UNDERPLATE OVER REMAINING AREA.
- ⑨ THE HOUSING WILL WITHSTAND EXPOSURE TO 260° C PEAK TEMPERATURE FOR 10 SECONDS IN A WAVE SOLDER APPLICATION WITH A 1.57MM THICK CIRCUIT BOARD.
- ⑩ THIS PRODUCT MEETS EUROPEAN UNION DIRECTIVES AND OTHER COUNTRY REGULATIONS AS DESCRIBED IN GS-22-008.

CONFIDENTIAL

mat'l. code				tolerances unless otherwise specified			CUSTOMER COPY		www.fciconnect.com		
ltr	ecn no	dr	date	linear	.XX±.13			projection	title		
F					.XXX±.051				SCA-2 & FIBER CHANNEL		
					angles	0° ±2°			80 POS. RECEPT. ASS'Y		
				dr	P. PARSONS	3/5/96	MM		product family	SCA-2	code
				enfr	J. DAVID	3/5/96			size	dwg no	-
				chr	GL L00	1/04/05			scale	71780	sheet
				appd	JOEY NG	1/04/05	2:1	A			
sheet index	revision sheet										

cage code 22526

ACAD