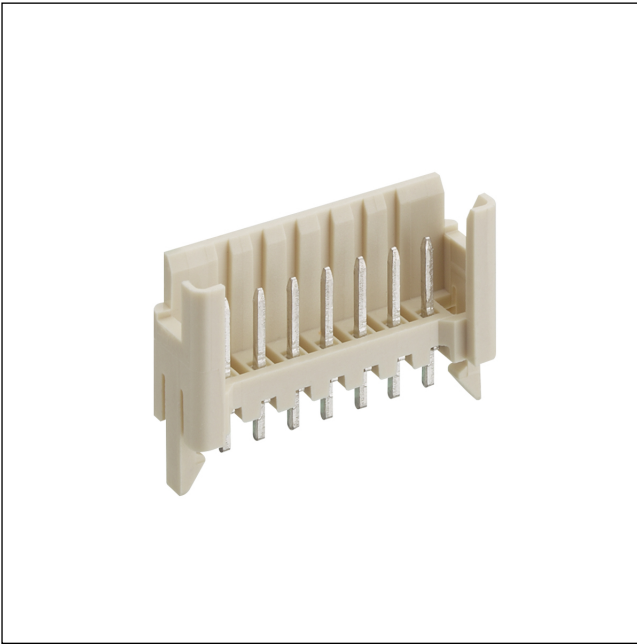


38


3851

Multimodul™ connectors, pitch 2.5 mm



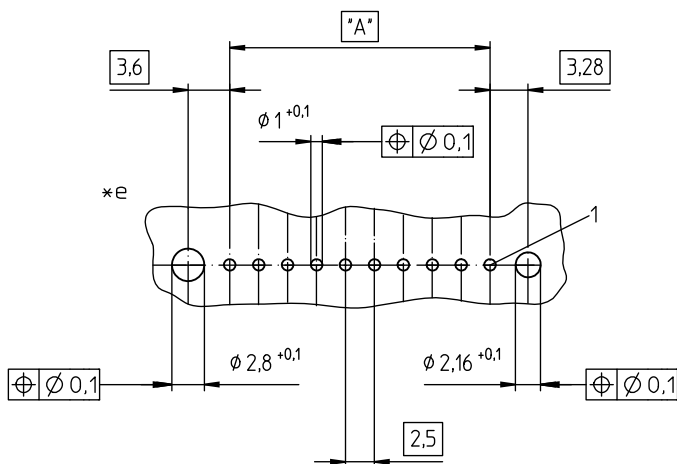
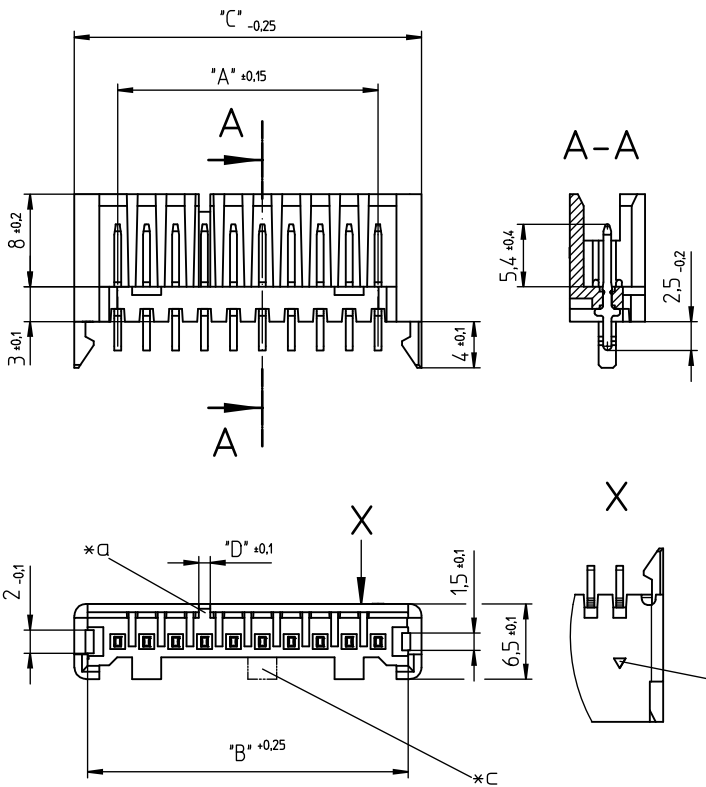
Multimodul™ pin header, upright, with retaining hooks

State: Phasing out

Approvals: 

38

3851



Environmental conditions

Temperature range -40 °C/+120 °C¹

¹ upper limit temperature (insulating body) RTI (electrical) of the UL Yellow Card

Materials

Insulating body PA GF, V-0 according to UL94¹

Contact pin CuZn, pre-nickel and tin-plated

¹ component glow wire resistant (GWT 750 °C), testing acc. to IEC 60695-2-11, assessment acc. to IEC 60335-1 (flame < 2 s)

Mechanical data

Further data proposed keyings on request

Electrical data (at T_{amb} 20 °C)

Rated current 3 A (T_u 60 °C)
 Rated voltage 160 V AC
 Material group IIIa (IEC)/2 (UL) (CTI ≥ 250)
 Creepage distance 1,9 mm
 Clearance 1,9 mm
 Insulation resistance > 1 GΩ

Associated products

Counterparts
 ☞ 2,54 MKB ☞ 2,54 MKBL ☞ 3800
 ☞ 3820 ☞ 3821 ☞ 3823
 ☞ 4143 01

38

3851

-
- *a marking contact 1
 - *b 2 supports (10 pole version only), 3 supports (11 or more poles)
 - *c printed circuit board layout, solder side view

| Designation | Pole Number | PU (Pieces) | MDQ (Pieces) | Dimensions | | | |
|-------------|-------------|-------------|--------------|------------|--------|--------|------------|
| | | | | A (mm) | B (mm) | C (mm) | D (mm) |
| 3851 02 | 2 | 1000 | 5000 | 2.5 | 7.7 | 10.0 | 1.5/1.0 *d |
| 3851 03 | 3 | 1000 | 5000 | 5.0 | 10.2 | 12.5 | 1.5/1.0 *d |
| 3851 04 | 4 | 1000 | 5000 | 7.5 | 12.7 | 15.0 | 1.0 |
| 3851 05 | 5 | 1000 | 5000 | 10.0 | 15.2 | 17.5 | 1.0 |
| 3851 06 | 6 | 500 | 5000 | 12.5 | 17.7 | 20.0 | 1.0 |
| 3851 07 | 7 | 500 | 5000 | 15.0 | 20.2 | 22.5 | 1.0 |
| 3851 08 | 8 | 500 | 5000 | 17.5 | 22.7 | 25.0 | 1.0 |
| 3851 09 | 9 | 500 | 5000 | 20.0 | 25.2 | 27.5 | 1.0 |
| 3851 10 | 10 | 500 | 5000 | 22.5 | 27.7 | 30.0 | 1.0 |
| 3851 11 | 11 | 500 | 5000 | 25.0 | 30.2 | 32.5 | 1.0 |
| 3851 12 | 12 | 500 | 5000 | 27.5 | 32.7 | 35.0 | 1.0 |
| 3851 13 | 13 | 500 | 5000 | 30.0 | 35.2 | 37.5 | 1.0 |
| 3851 14 | 14 | 500 | 5000 | 32.5 | 37.7 | 40.0 | 1.0 |
| 3851 15 | 15 | 500 | 5000 | 35.0 | 40.2 | 42.5 | 1.0 |
| 3851 16 | 16 | 500 | 5000 | 37.5 | 42.7 | 45.0 | 1.0 |
| 3851 17 | 17 | 500 | 5000 | 40.0 | 45.2 | 47.5 | 1.0 |
| 3851 18 | 18 | 500 | 5000 | 42.5 | 47.7 | 50.0 | 1.0 |
| 3851 19 | 19 | 500 | 5000 | 45.0 | 50.2 | 52.5 | 1.0 |
| 3851 20 | 20 | 500 | 5000 | 47.5 | 52.7 | 55.0 | 1.0 |

Designation to be completed by further details (e.g. for keying, color or material options).

Packaging:

in bulk, in a cardboard box