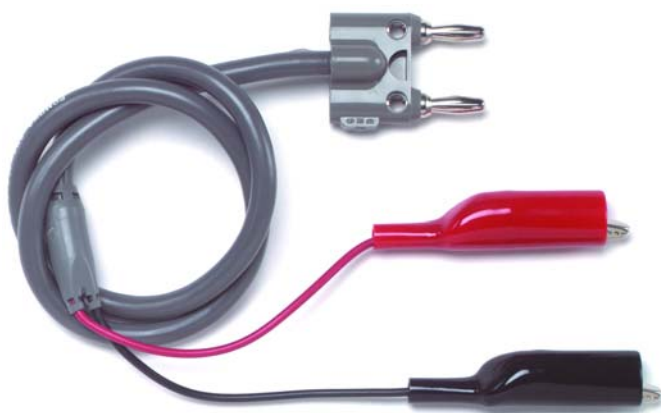
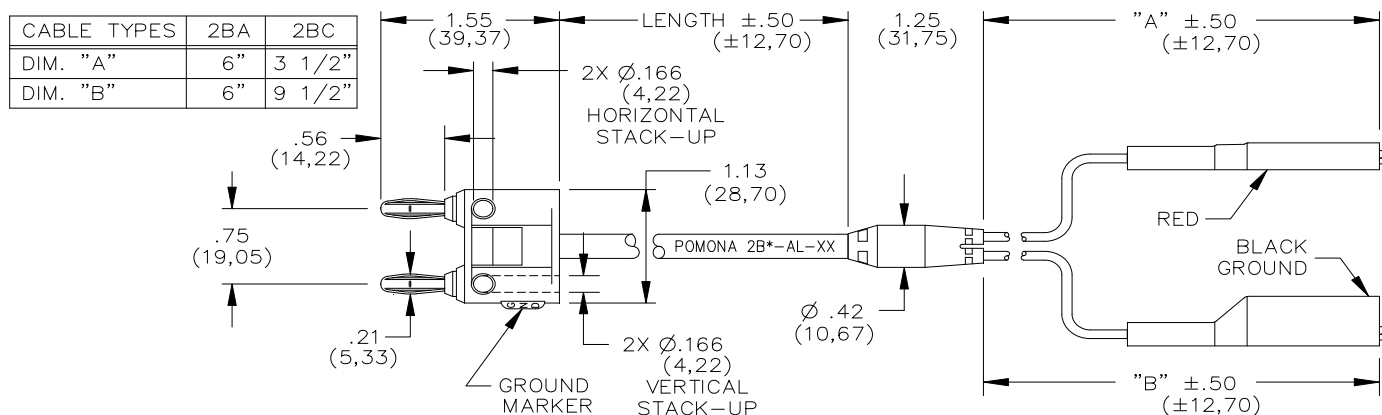


Model 2BA-AL & 2BC-AL Double Banana Plug to Alligator Clip Breakouts Cable Assembly



Model 2BA-AL
Double Banana Plug to Alligator Clip
Breakouts Cable Assembly

(Model 2BC-AL: Double Banana Plug, Cable, and
Molded Breakout is in Black)

Materials

Double Banana Plug:

Plug Bodies: Brass, Nickel Plated

Springs: Beryllium Copper, Nickel Plated

Insulation: Polypropylene molded to the plug bodies and cable. Color matches color of cable.

Marking: POMONA ELECTRONICS CO., INC.
POMONA CALIFORNIA

Cable:

2BA: 2 Cond. Twisted Pair, 18 AWG, 65 x 36 t.c., .250 (6.4) O.D., Marking: POMONA 2BA-AL-XX, Color: Gray.

2BC: RG-58C/U, .195 (5.0) O.D., Marking: POMONA 2BC-AL-XX, Color: Black.

Molded Breakout: PVC Insulated molded to breakout leads and cable. Color matches color of cable.

Breakout Leads: 20 AWG, 41 x 36 t.c., PVC Insulated, .087 (2.21) O.D., Color matches color of insulator.

Insulated Alligator Clips:

Body: Steel, Nickel Plated

Insulator: Vinyl. Color: One Black and One Red.

Ratings

Operating Voltage:

Maximum voltage for *hands free use:* 150 Vrms

For *CE Compliance* and for personal safety, do not hold in hand when voltages exceed 33 Vrms/70 Vdc.

Do no use on circuits where transient stresses can exceed the rated voltage.

Operating Temperature: +122°F (+50°C) Max.

Current: 5 Amperes

Ordering Information

Model 2B*-AL-XX

* = Cable Type: 2BA: 2 Cond. Twisted Pair
2BC: RG58C/U

XX = Cable Lengths

2BA: Std. Lengths: 36" (91.44cm), 48" (121.92cm)

2BC: Std. Lengths: 36" (91.44cm), 60" (152.4cm)

Ordering Example: 2BA-AL-48, cable is 2 Cond. Twisted Pair in 48" length.

Additional lengths can be quoted upon request.

USA: Sales: 800-490-2361
Technical Support: technicalsupport@pomonatest.com
Fax: 425-446-5844

Europe: 31-(0) 40 2675 150 **International:** 425-446-5500

Where to Buy: www.pomonaelectronics.com

All dimensions are in inches. Tolerances (except noted): .xx = ±.02" (.51 mm), .xxx = ±.005" (.127 mm). All specifications are to the latest revisions. Specifications are subject to change without notice. Registered trademarks are the property of their respective companies.