



EASY500/700/800 Intelligent Relays



### Contents

Description	Page
EASY500/700/800 Intelligent Relays	
Product Selection	V7-T40-21
Technical Data and Specifications	V7-T40-22
Dimensions	V7-T40-23
EASY/MFD Expansion Modules	V7-T40-25
MFD Intelligent Relays	V7-T40-28
EASY/MFD Communication Modules	V7-T40-33
EASY/MFD Power Supplies, Accessories and Software	V7-T40-36

### EASY500/700/800 Intelligent Relays

#### Product Description

Three families make up the EASY Intelligent Relay product line.

**EASY500 Series**—for controlling small applications with up to 12 input/output signals. Models are available with and without displays. DIN rail mounted.

**EASY700 Series**—for controlling medium-sized applications with 20 I/O points (expandable to 40 I/O points). DIN rail mounted.

**EASY800 Series**—for controlling large-scale applications with 20 points, expandable to 40 points locally, and expandable using the **EASY-NET** network up to 320 I/O points. Models are available with and without displays. DIN rail mounted.

The **EASY-NET** integrated network provides easy and inexpensive linking of up to eight EASY800 devices over a distance of up to 1000 meters. Each EASY800 device can run its own program, or be used as a distributed input/output module. Connect up to eight controllers with up to 40 I/O to obtain 320 I/O.

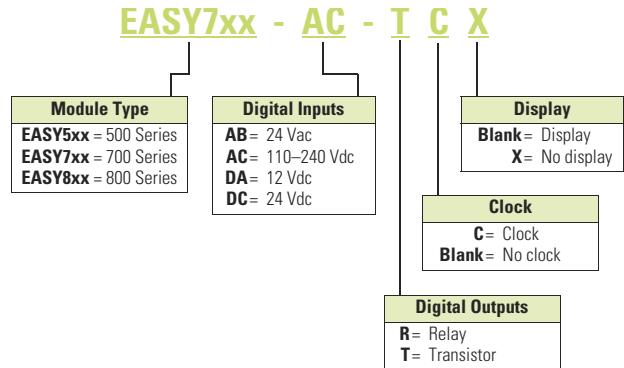
#### Standards and Certifications

- EN 50178
- IEC/EN 60947
- UL
- CSA
- CSA Class I, Div. 2, Groups A, B, C, D; Temp. Code T3C



#### Catalog Number Selection

##### EASY500/700/800



**Note:** Not all combinations are possible. See selection tables.

## Product Selection

## EASY500 Intelligent Relays

Description	Inputs					Outputs		Catalog Number	
	24 Vac	110–240 Vac	12 Vdc	24 Vdc	Analog <sup>①</sup>	Relay	Transistor		
<b>EASY500 with Display</b>									
<b>Display</b>									
12 I/O, no clock	—	8	—	—	—	4	—	EASY512-AC-R	
	—	—	—	8	2	4	—	EASY512-DC-R	
	12 I/O, clock	8	—	—	—	2	4	—	EASY512-AB-RC
		—	8	—	—	—	4	—	EASY512-AC-RC
		—	—	8	—	2	4	—	EASY512-DA-RC
		—	—	—	8	2	4	—	EASY512-DC-RC
—	—	—	8	2	—	4	EASY512-DC-TC		
<b>EASY500 without Display</b>									
<b>No Display</b>									
12 I/O, clock	8	—	—	—	2	4	—	EASY512-AB-RCX	
	—	8	—	—	—	4	—	EASY512-AC-RCX	
	—	—	8	—	2	4	—	EASY512-DA-RCX	
	—	—	—	8	2	4	—	EASY512-DC-RCX	
	—	—	—	8	2	—	4	EASY512-DC-TCX	

## EASY700 Intelligent Relays

Description	Inputs					Outputs		Catalog Number
	24 Vac	110–240 Vac	12 Vdc	24 Vdc	Analog <sup>①</sup>	Relay	Transistor	
<b>EASY700 with Display</b>								
<b>Display</b>								
18 I/O, clock	12	—	—	—	4	6	—	EASY719-AB-RC
	—	12	—	—	—	6	—	EASY719-AC-RC
	—	—	12	—	4	6	—	EASY719-DA-RC
	—	—	—	12	4	6	—	EASY719-DC-RC
20 I/O, clock	—	—	—	12	4	—	8	EASY721-DC-TC
<b>EASY700 without Display</b>								
<b>No Display</b>								
18 I/O, clock	12	—	—	—	4	6	—	EASY719-AB-RCX
	—	12	—	—	—	6	—	EASY719-AC-RCX
	—	—	12	—	4	6	—	EASY719-DA-RCX
	—	—	—	12	4	6	—	EASY719-DC-RCX
	20 I/O, clock	—	—	—	12	4	—	8

## EASY800 Intelligent Relays

Description	Inputs			Outputs			Catalog Number
	110–240 Vac	24 Vdc	Analog <sup>①</sup>	Relay	Transistor	Analog	
<b>EASY800 with Display</b>							
<b>Display</b>							
18 I/O, clock	12	—	—	6	—	—	EASY819-AC-RC
	—	12	4	6	—	—	EASY819-DC-RC
19 I/O, clock	—	12	4	6	—	1	EASY820-DC-RC
20 I/O, clock	—	12	4	—	8	—	EASY821-DC-TC
21 I/O, clock	—	12	4	—	8	1	EASY822-DC-TC
<b>EASY800 without Display</b>							
<b>No Display</b>							
18 I/O, clock	12	—	—	6	—	—	EASY819-AC-RCX
	—	12	4	6	—	—	EASY819-DC-RCX
19 I/O, clock	—	12	4	6	—	1	EASY820-DC-RCX
20 I/O, clock	—	12	4	—	8	—	EASY821-DC-TCX
21 I/O, clock	—	12	4	—	8	1	EASY822-DC-TCX

**Note**

① Analog inputs optional. Use of analog inputs will result in a decrease in the same number of available digital inputs.

## Technical Data and Specifications

## EASY500 Series

Type	EASY512-AB...	EASY512-AC...	EASY512-DA...	EASY512-DC-R...	EASY512-DC-TC.
Supply voltage	24 Vac	100–240 Vac	12 Vdc	24 Vdc	24 Vdc
Heat dissipation	5 VA	5 VA	2W	2W	2W
Continuous current outputs <sup>①</sup>	8A	8A	8A	8A	0.5A
Short-circuit proof with power factor 1	Line protection B16, 600 A				—
Short-circuit proof with power factor 0.7...0.7	Line protection B16, 900 A				—
Mounting	On top-hat rail to DIN 50022, 35 mm or screw mounting with ZB4-101-GF1 fixing brackets				
Connection cables					
Solid	0.2–4.0 mm <sup>2</sup> (AWG 22-12)	0.2–4.0 mm <sup>2</sup> (AWG 22-12)	0.2–4.0 mm <sup>2</sup> (AWG 22-12)	0.2–4.0 mm <sup>2</sup> (AWG 22-12)	0.2–4.0 mm <sup>2</sup> (AWG 22-12)
Flexible	0.2–2.5 mm <sup>2</sup> (AWG 22-12)	0.2–2.5 mm <sup>2</sup> (AWG 22-12)	0.2–2.5 mm <sup>2</sup> (AWG 22-12)	0.2–2.5 mm <sup>2</sup> (AWG 22-12)	0.2–2.5 mm <sup>2</sup> (AWG 22-12)
Degree of protection	IP 20	IP 20	IP 20	IP 20	IP 20
RFI suppression	EN 55011, EN 55022 Class B, IEC 61000-6-1, 2, 3, 4				
Ambient operating temperature	–25 to 55°C	–25 to 55°C	–25 to 55°C	–25 to 55°C	–25 to 55°C
Transport and storage temperature	–40 to 70°C	–40 to 70°C	–40 to 70°C	–40 to 70°C	–40 to 70°C
Hazardous location	CSA Class I, Div. 2, Groups A, B, C, D; Temp. Code T3C				

## EASY700 Series

Type	EASY719-AB...	EASY719-AC...	EASY719-DA...	EASY719-DC-RC...	EASY721-DC-TC.
Supply voltage	24 Vac	100–240 Vac	12 Vdc	24 Vdc	24 Vdc
Heat dissipation	7 VA	10 VA	3.5W	3.5W	3.5W
Continuous current outputs <sup>①</sup>	8A	8A	8A	8A	0.5A
Short-circuit proof with power factor 1	Line protection B16, 600A	Line protection B16, 600A	Line protection B16, 600A	Line protection B16, 600A	—
Short-circuit proof with power factor 0.7...0.7	Line protection B16, 900A	Line protection B16, 900A	Line protection B16, 900A	Line protection B16, 900A	—
Mounting	On top-hat rail to DIN 50022, 35 mm or screw mounting with ZB4-101-GF1 fixing brackets				
Connection cables					
Solid	0.2–4.0 mm <sup>2</sup> (AWG 22-12)	0.2–4.0 mm <sup>2</sup> (AWG 22-12)	0.2–4.0 mm <sup>2</sup> (AWG 22-12)	0.2–4.0 mm <sup>2</sup> (AWG 22-12)	0.2–4.0 mm <sup>2</sup> (AWG 22-12)
Flexible	0.2–2.5 mm <sup>2</sup> (AWG 22-12)	0.2–2.5 mm <sup>2</sup> (AWG 22-12)	0.2–2.5 mm <sup>2</sup> (AWG 22-12)	0.2–2.5 mm <sup>2</sup> (AWG 22-12)	0.2–2.5 mm <sup>2</sup> (AWG 22-12)
Degree of protection	IP 20	IP 20	IP 20	IP 20	IP 20
RFI suppression	EN 55011, EN 55022 Class B, IEC 61000-6-1, 2, 3, 4				
Ambient operating temperature	–25 to 55°C	–25 to 55°C	–25 to 55°C	–25 to 55°C	–25 to 55°C
Transport and storage temperature	–40 to 70°C	–40 to 70°C	–40 to 70°C	–40 to 70°C	–40 to 70°C
Hazardous location	CSA Class I, Div. 2, Groups A, B, C, D; Temp. Code T3C				

## EASY800 Series

Type	EASY819-AC...	EASY819-DC-RC...	EASY820-DC-RC...	EASY821-DC-TC...	EASY822-DC-TC.
Supply voltage	100–240 Vac	24 Vdc	24 Vdc	24 Vdc	24 Vdc
Heat dissipation	10 VA	3.4W	3.4W	3.4W	3.4W
Continuous current outputs <sup>①</sup>	8A	8A	8A	8A	0.5A
Short-circuit proof with power factor 1	Line protection B16, 600A	Line protection B16, 600A	Line protection B16, 600A	Line protection B16, 600A	—
Short-circuit proof with power factor 0.7...0.7	Line protection B16, 900A	Line protection B16, 900A	Line protection B16, 900A	Line protection B16, 900A	—
Mounting	On top-hat rail to DIN 50022, 35 mm or screw mounting with ZB4-101-GF1 fixing brackets				
Connection cables					
Solid	0.2–4.0 mm <sup>2</sup> (AWG 22-12)	0.2–4.0 mm <sup>2</sup> (AWG 22-12)	0.2–4.0 mm <sup>2</sup> (AWG 22-12)	0.2–4.0 mm <sup>2</sup> (AWG 22-12)	0.2–4.0 mm <sup>2</sup> (AWG 22-12)
Flexible	0.2–2.5 mm <sup>2</sup> (AWG 22-12)	0.2–2.5 mm <sup>2</sup> (AWG 22-12)	0.2–2.5 mm <sup>2</sup> (AWG 22-12)	0.2–2.5 mm <sup>2</sup> (AWG 22-12)	0.2–2.5 mm <sup>2</sup> (AWG 22-12)
Degree of protection	IP 20	IP 20	IP 20	IP 20	IP 20
RFI suppression	EN 55011, EN 55022 Class B, IEC 61000-6-1, 2, 3, 4				
Ambient operating temperature	–25 to 55°C	–25 to 55°C	–25 to 55°C	–25 to 55°C	–25 to 55°C
Transport and storage temperature	–40 to 70°C	–40 to 70°C	–40 to 70°C	–40 to 70°C	–40 to 70°C
Hazardous location	CSA Class I, Div. 2, Groups A, B, C, D; Temp. Code T3C				

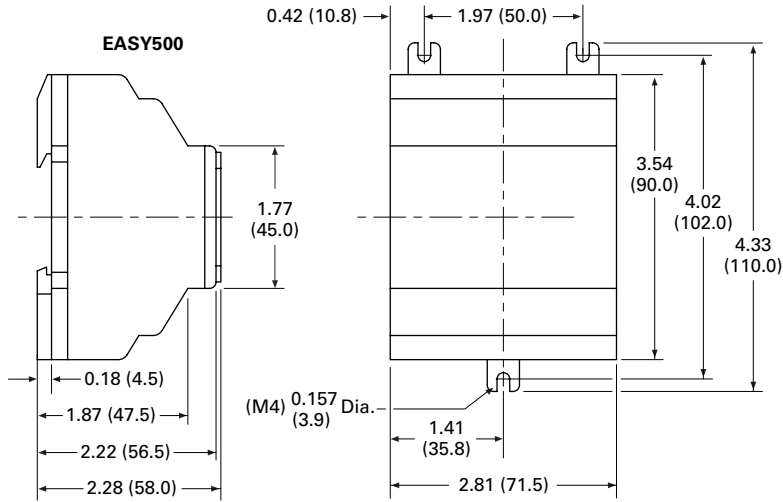
**Note**

<sup>①</sup> Relay = 8A (10A to UL) with resistive load, 3A with inductive load. Transistor outputs = 0.5A/24 Vdc, maximum four outputs switchable in parallel.

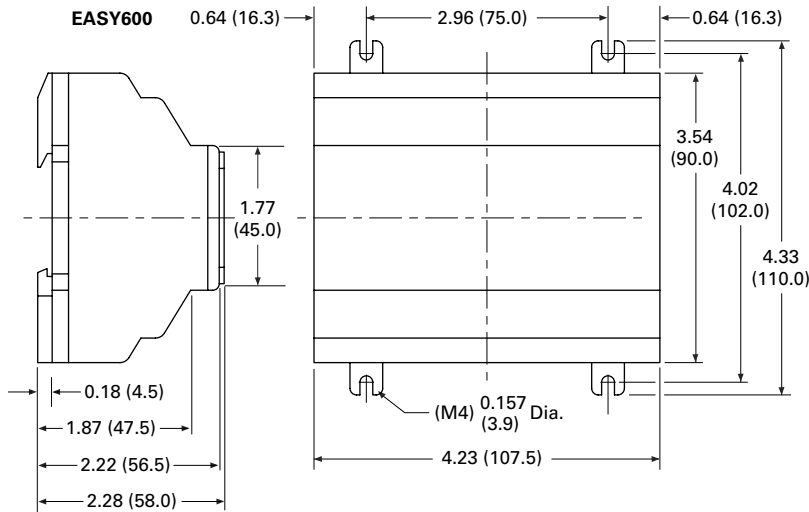
**Dimensions**

Approximate Dimensions in Inches (mm)

**EASY500 Series, Drawing Number MD05013001E**



**EASY700 Series, Drawing Number MD05013002E**



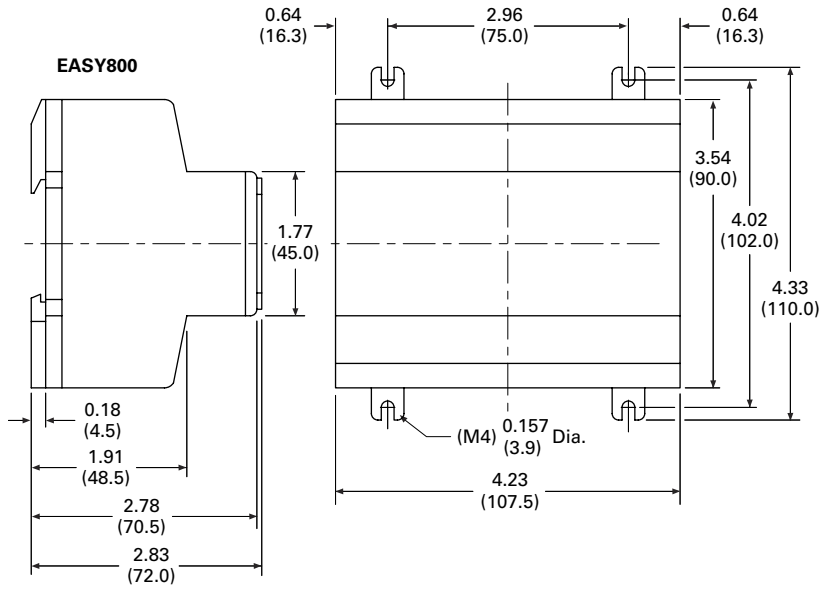
# 40.3

## Control Relays and Timers

### EASY Intelligent Relays

Approximate Dimensions in Inches (mm)

EASY800 Series, Drawing Number MD05013003E



## EASY/MFD Expansion Modules



## EASY/MFD Expansion Modules

## Product Description

Expansion modules are available for increasing the input/output of the EASY700/800 and MFD intelligent relays to 24 inputs and up to 16 outputs. Expansion modules can be mounted directly to the EASY/MFD unit or up to 98 ft. (30 m) away using coupling module EASY200-EASY.

## Product Selection

## EASY202-RE

EASY700/800/MFD I/O Expansion Modules <sup>①</sup>

Description	Inputs		Outputs		Catalog Number
	110–240 Vac	24 Vdc	Relay	Transistor	
2 I/O expansion	—	—	2	—	EASY202-RE
18 I/O expansion	12	—	6	—	EASY618-AC-RE
		12	6	—	EASY618-DC-RE
20 I/O expansion	—	12	—	8	EASY620-DC-TE
Coupling module for remote mounting of expansion modules					EASY200-EASY

**Note**

<sup>①</sup> All expansion modules include one EASY-LINK-DS.

## Contents

**Description****Page**

EASY500/700/800 Intelligent Relays	V7-T40-20
EASY/MFD Expansion Modules	
Technical Data and Specifications	V7-T40-26
Dimensions	V7-T40-27
MFD Intelligent Relays	V7-T40-28
EASY/MFD Communication Modules	V7-T40-33
EASY/MFD Power Supplies, Accessories and Software	V7-T40-36

## Technical Data and Specifications

## EASY700/800/MFD I/O Expansion Modules

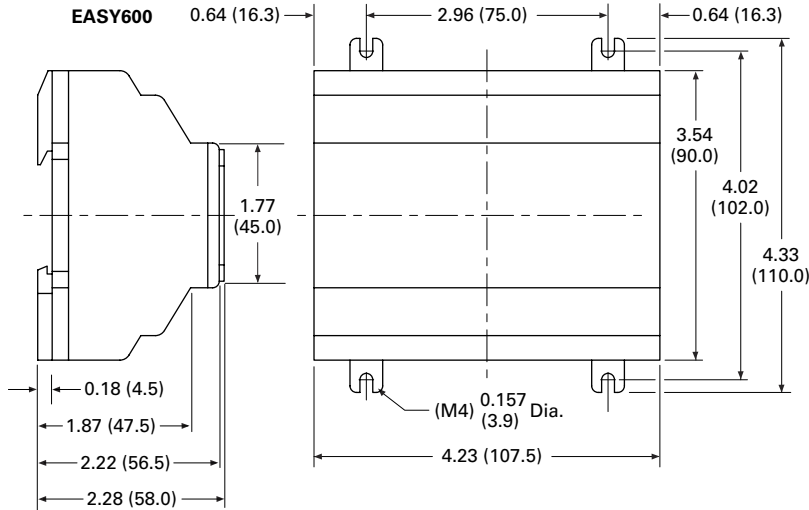
Type	EASY202-RE	EASY618-AC-RE	EASY618-DC-RE	EASY620-DC-TE	EASY200-EASY
Supply voltage	—	100 – 240 Vac	24 Vac	24 Vac	—
Heat dissipation	1W	10 VA	4W	4W	1W
Continuous current outputs <sup>①</sup>	8A	8A	8A	0.5A	—
Short-circuit proof with power factor 1	Line protection B16, 600A	Line protection B16, 600A	Line protection B16, 600A	Line protection B16, 600A	—
Short-circuit proof with power factor 0.7...0.7	Line protection B16, 900A	Line protection B16, 900A	Line protection B16, 900A	Line protection B16, 900A	—
Connection cables					
Solid	0.2–4.0 mm <sup>2</sup> (AWG 22-12)	0.2–4.0 mm <sup>2</sup> (AWG 22-12)	0.2–4.0 mm <sup>2</sup> (AWG 22-12)	0.2–4.0 mm <sup>2</sup> (AWG 22-12)	0.2–4.0 mm <sup>2</sup> (AWG 22-12)
Flexible	0.2–2.5 mm <sup>2</sup> (AWG 22-12)	0.2–2.5 mm <sup>2</sup> (AWG 22-12)	0.2–2.5 mm <sup>2</sup> (AWG 22-12)	0.2–2.5 mm <sup>2</sup> (AWG 22-12)	0.2–2.5 mm <sup>2</sup> (AWG 22-12)
Degree of protection	IP20	IP20	IP20	IP20	IP20
RFI suppression	EN 55011, EN 55022 Class B, IEC 61000-6-1,2,3,4				
Ambient operating temperature	–25° to 55°C	–25° to 55°C	–25° to 55°C	–25° to 55°C	–25° to 55°C
Transport and storage temperature	–40° to 70°C	–40° to 70°C	–40° to 70°C	–40° to 70°C	–40° to 70°C
Certification, standards	EN 50178, IEC/EN 60947, UL, CSA				
Mounting	On top-hat rail to DIN 50022, 35 mm or screw mounting with ZB4-101-GF1 fixing brackets				



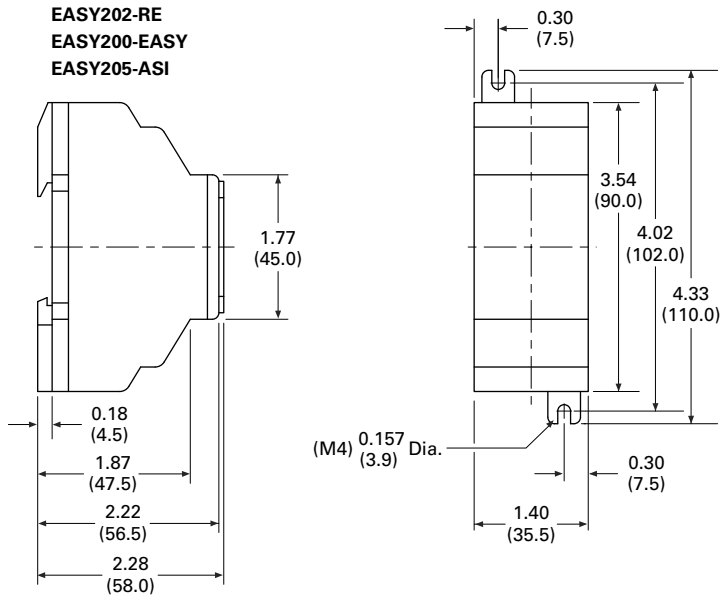
**Dimensions**

Approximate Dimensions in Inches (mm)

**EASY600 Series, Drawing Number MD05013002E**



**EASY202-RE/EASY200-EASY/EASY205-ASI Series, Drawing Number MD05013012E**



MFD Intelligent Relays



### MFD Intelligent Relays

#### Product Description

MFD Intelligent Relays are comprised of three parts, a display, a controller, and an I/O module. Match each piece to the needs of your application. If you need to both monitor and modify parameters within your application, choose the MFD-80-B. The preprogrammed and user programmable buttons give you the capability to make small changes to the way your application is running, start or stop a process, or change your program completely. Select a controller with or without **EASY-NET** support, and with AC or DC power. Finally, add the MFD I/O module that best suits your application.

**MFD Series**—for controlling small applications that require graphic visualization and for large-scale applications with 20 points, expandable to 40 points locally, and expandable using the **EASY-NET** network up to 320 I/O points. The MFD display can be linked to the EASY500/700/800 models to provide an enhanced text based operator interface. Panel mounted.

The **EASY-NET** integrated network provides easy and inexpensive linking of up to eight MFD devices over a distance of up to 1000 meters. Each MFD device can run its program, or be used as a distributed input/output module. Connect up to eight controllers with up to 40 I/O to obtain 320 I/O.

### Contents

<i>Description</i>	<i>Page</i>
EASY500/700/800 Intelligent Relays . . . . .	<b>V7-T40-20</b>
EASY/MFD Expansion Modules . . . . .	<b>V7-T40-25</b>
MFD Intelligent Relays	
Product Selection . . . . .	<b>V7-T40-29</b>
Technical Data and Specifications . . . . .	<b>V7-T40-30</b>
Dimensions . . . . .	<b>V7-T40-31</b>
EASY/MFD Communication Modules . . . . .	<b>V7-T40-33</b>
EASY/MFD Power Supplies, Accessories and Software . . . . .	<b>V7-T40-36</b>

### Standards and Certifications

- EN 50178
- IEC/EN 60947
- UL
- CSA
- CSA Class I, Div. 2, Groups A, B, C, D; Temp. Code T3C



## Product Selection

## MFD-80-B



## MFD Displays (MFD-80)

Description	Catalog Number
MFD, no buttons	<b>MFD-80</b>
MFD, buttons (shown)	<b>MFD-80-B</b>

## MFD-CP8



## MFD Controllers (MFD-CP8)

Description	Catalog Number
MFD CPU with 24 Vdc, power supply, clock	<b>MFD-CP8-ME</b>
MFD CPU with 24 Vdc, power supply, clock, EASY-NET	<b>MFD-CP8-NT</b>
MFD CPU with 100–240 Vac, power supply, clock	<b>MFD-AC-CP8-ME</b>
MFD CPU with 100–240 Vac, power supply, clock, EASY-NET	<b>MFD-AC-CP8-NT</b>

## MFD-R16



## MFD I/O Modules

Description	Inputs <sup>①</sup>			Outputs			Catalog Number
	110–240 Vac	24 Vdc	Analog	Relay	Transistor	Analog	
16 I/O	12	—	—	4	—	—	<b>MFD-AC-R16</b>
	—	12	4	4	—	—	<b>MFD-R16</b>
	—	12	4	—	4	—	<b>MFD-T16</b>
17 I/O	—	12	4	4	—	1	<b>MFD-RA17</b>
	—	12	4	—	4	1	<b>MFD-TA17</b>

## MFD-CP4-800 Attached to EASY-80 Display and EASY800 Unit

MFD Display to EASY Communication Modules (MFD-CP4) <sup>②</sup>

Description	Catalog Number
MFD display to EASY500/700 DC communication module with EASY500/700 communication cable (MFD-CP4-500-CAB5)	<b>MFD-CP4-500</b>
MFD display to EASY500/700 AC communication module with EASY500/700 communication cable (MFD-CP4-500-CAB5)	<b>MFD-AC-CP4-500</b>
MFD display to EASY800 DC communication module with EASY800 communication cable (MFD-CP4-800-CAB5)	<b>MFD-CP4-800</b>
MFD display to EASY800 AC communication module with EASY800 communication cable (MFD-CP4-800-CAB5)	<b>MFD-AC-CP4-800</b>
Replacement communication module (all controllers—no cable)	<b>MFD-CP4</b>



MFD-80



MFD-CP8



MFD-I/O



MFD Assembly

## Notes

For additional expansion, see EASY/MFD Expansion Modules on [Page V7-T40-26](#).

<sup>①</sup> Analog inputs optional.

<sup>②</sup> Link MFD displays to EASY 500/700 or 800 intelligent relays for text only cabinet door installations.

## Technical Data and Specifications

### MFD-80, MFD-CP4, MFD-CP8

Type	MFD-80...	MFD-CP4/CP8
Connection cables		
Solid	—	0.2–4.0 mm <sup>2</sup> (AWG 22-12)
Flexible	—	0.2–2.5 mm <sup>2</sup> (AWG 22-12)
Degree of protection	IP 65	IP 20
RFI suppression	EN 55011, EN 55022 Class B, IEC 61000-6-1, 2, 3, 4	EN 55011, EN 55022 Class B, IEC 61000-6-1, 2, 3, 4
Ambient operating temperature	Clearly legible at –5 to 50°C	–25 to 55°C
Transport and storage temperature	–40 to 70°C	–40 to 70°C
Hazardous location	CSA Class I, Div. 2, Groups A, B, C, D; Temp. Code T3C	CSA Class I, Div. 2, Groups A, B, C, D; Temp. Code T3C

### MFD I/O Modules

Type	MFD-AC-R16	MFD-R16	MFD-RA17	MFD-T16	MFD-TA17
Supply voltage	Supply via MFD-CP8 module	Supply via MFD-CP8 module	Supply via MFD-CP8 module	Supply via MFD-CP8 module	Supply via MFD-CP8 module
Heat dissipation	0.5W	0.5W	0.5W	0.5W	0.5W
Continuous current outputs <sup>①</sup>	8A	8A	8A	0.5A	0.5A
Short-circuit proof with power factor 1	Line protection B16, 600A	Line protection B16, 600A	Line protection B16, 600A	—	—
Short-circuit proof with power factor 0.7...0.7	Line protection B16, 600A	Line protection B16, 600A	Line protection B16, 600A	—	—
Connection cables					
Solid	0.2–4.0 mm <sup>2</sup> (AWG 22-12)	0.2–4.0 mm <sup>2</sup> (AWG 22-12)	0.2–4.0 mm <sup>2</sup> (AWG 22-12)	0.2–4.0 mm <sup>2</sup> (AWG 22-12)	0.2–4.0 mm <sup>2</sup> (AWG 22-12)
Flexible	0.2–2.5 mm <sup>2</sup> (AWG 22-12)	0.2–2.5 mm <sup>2</sup> (AWG 22-12)	0.2–2.5 mm <sup>2</sup> (AWG 22-12)	0.2–2.5 mm <sup>2</sup> (AWG 22-12)	0.2–2.5 mm <sup>2</sup> (AWG 22-12)
Degree of protection	IP20	IP20	IP20	IP20	IP20
RFI suppression	EN 55011, EN 55022 Class B, IEC 61000-6-1,2,3,4				
Ambient operating temperature	–25 to 55°C	–25 to 55°C	–25 to 55°C	–25 to 55°C	–25 to 55°C
Transport and storage temperature	–40 to 70°C	–40 to 70°C	–40 to 70°C	–40 to 70°C	–40 to 70°C
Mounting	Snap fitted to MFD-CP8 module	Snap fitted to MFD-CP8 module	Snap fitted to MFD-CP8 module	Snap fitted to MFD-CP8 module	Snap fitted to MFD-CP8 module

### MFD-CP4 and CP8 Communication Modules

Type	MFD-80...	MFD-CP4...	MFD-CP8...	MFD-AC-CP8...
Supply voltage	Supply from -CP	24 Vdc	24 Vdc	100–240 Vac
Heat dissipation	3W	1.5W	3W	8 VA
Mounting	Front mounting in 2 x 22.5 mm Standard drill holes	Snap fitted to MFD-80	Snap fitted to MFD-80 or on top-hat rail to DIN 50022, 35 mm or screw Mounting with ZB4-101-GF1 fixing brackets	

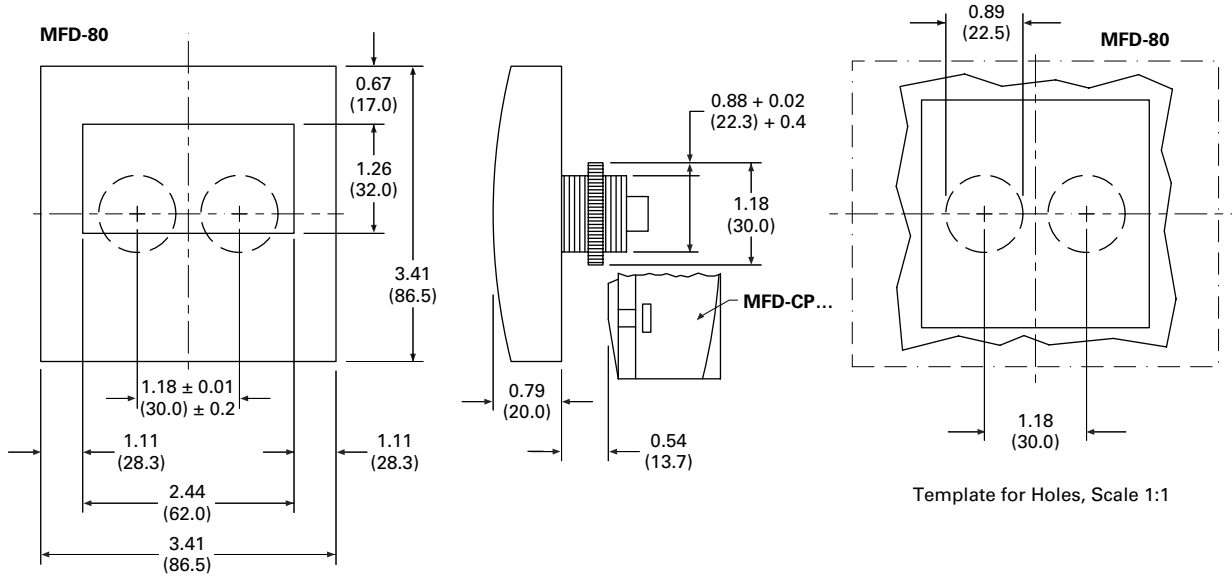
#### Note

- <sup>①</sup> Relay = 8A with resistive load, 3A with inductive load.  
Transistor outputs = 0.5A/24 Vdc, maximum four outputs switchable in parallel.

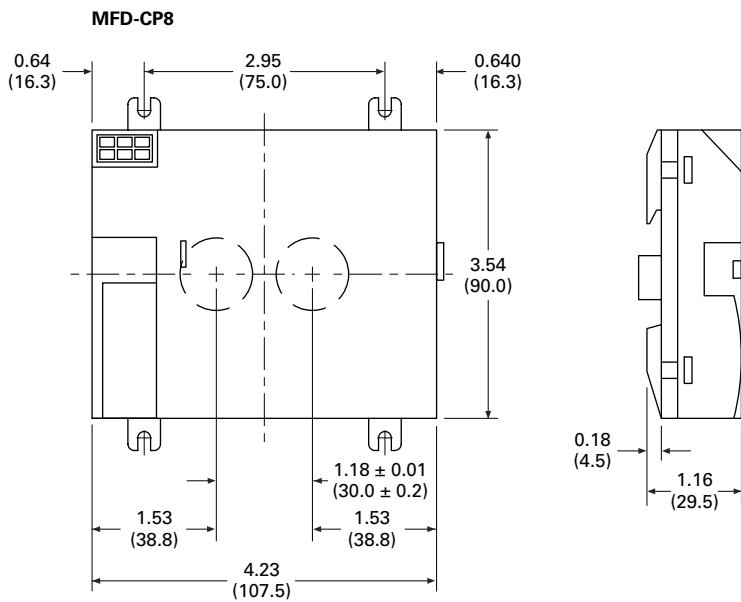
**Dimensions**

Approximate Dimensions in Inches (mm)

**MFD-80 Series, Drawing Number MD05013005E**



**MFD-CP8 Series, Drawing Number MD05013006E**



# 40.3

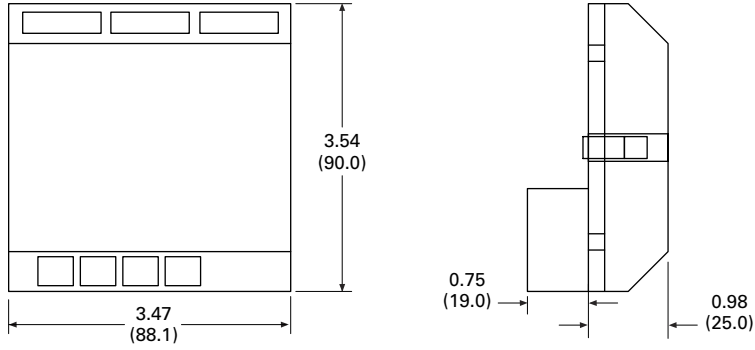
## Control Relays and Timers

### EASY Intelligent Relays

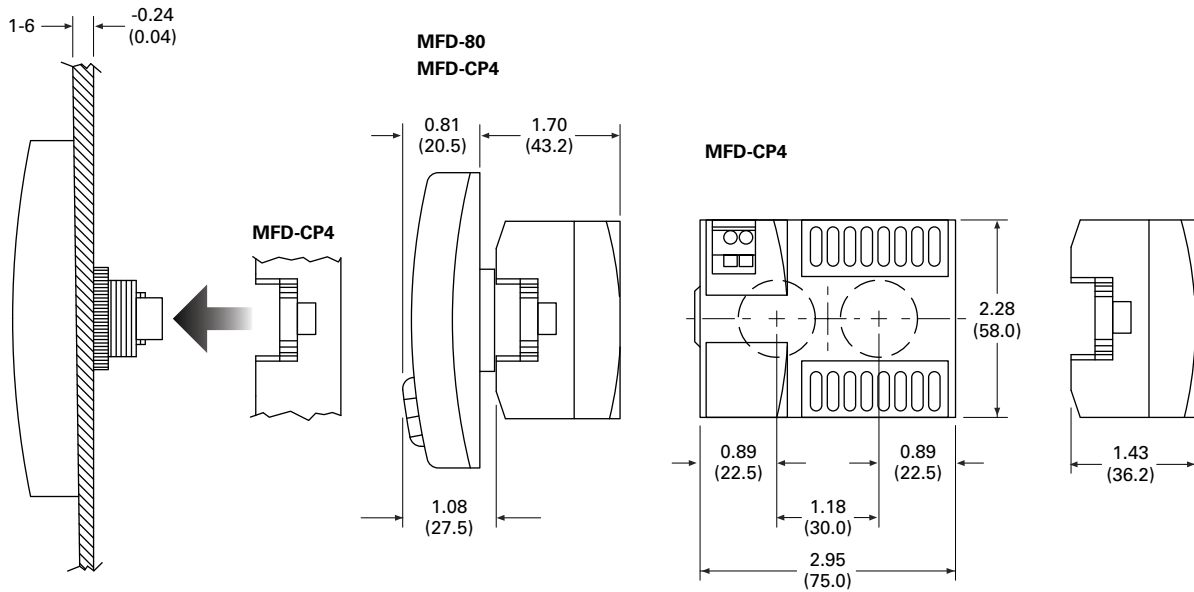
Approximate Dimensions in Inches (mm)

#### MFD-R/MFD-T I/O Module, Drawing Number MD05013007E

##### MFD-R and MFD-T I/O



#### MFD-CP4, MFD-80 and MFD-CP4 Series Combined, Drawing Number MD013013E



**EASY/MFD Communication Modules**



**Contents**

<i><b>Description</b></i>	<i><b>Page</b></i>
EASY500/700/800 Intelligent Relays . . . . .	<b>V7-T40-20</b>
EASY/MFD Expansion Modules . . . . .	<b>V7-T40-25</b>
MFD Intelligent Relays . . . . .	<b>V7-T40-28</b>
EASY/MFD Communication Modules	
Technical Data and Specifications . . . . .	<b>V7-T40-34</b>
Dimensions . . . . .	<b>V7-T40-35</b>
EASY/MFD Power Supplies, Accessories and Software . . . . .	<b>V7-T40-36</b>

**EASY/MFD Communication Modules**

**Product Description**

Five modules are available for easily connecting to world-standard networks. The communication modules can be used with the EASY700/800 and MFD intelligent relays.

Available communication modules support:

- PROFIBUS-DP
- AS-I (Actuator Sensor Interface) networks
- CANopen
- DeviceNet
- Ethernet (also compatible with EASY500)

All modules act as a gateway and operate exclusively as a slave station on the network.

**Product Selection**

**EASY204-DP Communication Module**



**EASY Communication Interface Modules**

<b>Description</b>	<b>Catalog Number</b>
PROFIBUS-DP slave interface module	<b>EASY204-DP</b>
AS-Interface slave with 4 in and 4 out interface module	<b>EASY205-ASI</b>
CANopen interface module	<b>EASY221-CO</b>
DeviceNet slave interface module	<b>EASY222-DN</b>
Ethernet Gateway	<b>EASY209-SE</b>

## Technical Data and Specifications

### EASY700/800/MFD Communication Interface Modules EASY204-DP, EASY205-ASI, EASY221-CO, EASY222-DN, EASY209-SE <sup>①</sup>

Description	Specification
Supply voltage	24 Vdc
Heat dissipation <sup>②</sup>	1W
Connection cables	
Solid	0.2 – 4.0 mm <sup>2</sup> (AWG 22-12)
Flexible	0.2 – 2.5 mm <sup>2</sup> (AWG 22-12)
Degree of protection	IP20
RFI suppression	EN 55011, EN 55022 Class B, IEC 61000-6-1,2,3,4
Ambient operating temperature	–25° to 55°C
Transport and storage temperature	–40° to 70°C
Certification, standards	EN 50178, IEC/EN 60947, UL, CSA
Mounting	On top-hat rail to DIN 50022, 35 mm or screw mounting with ZB4-101-GF1 fixing brackets

#### Notes

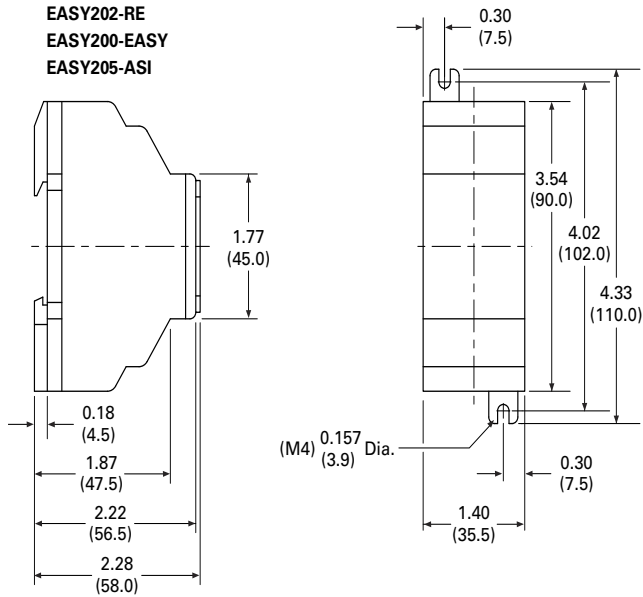
- <sup>①</sup> EASY209-SE is also compatible with EASY500 Intelligent Relays.
- <sup>②</sup> EASY204-DP dissipates 2W.



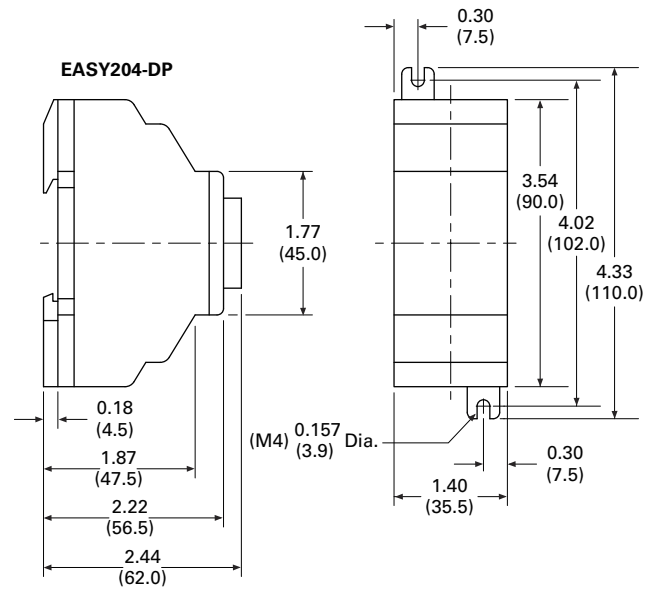
**Dimensions**

Approximate Dimensions in Inches (mm)

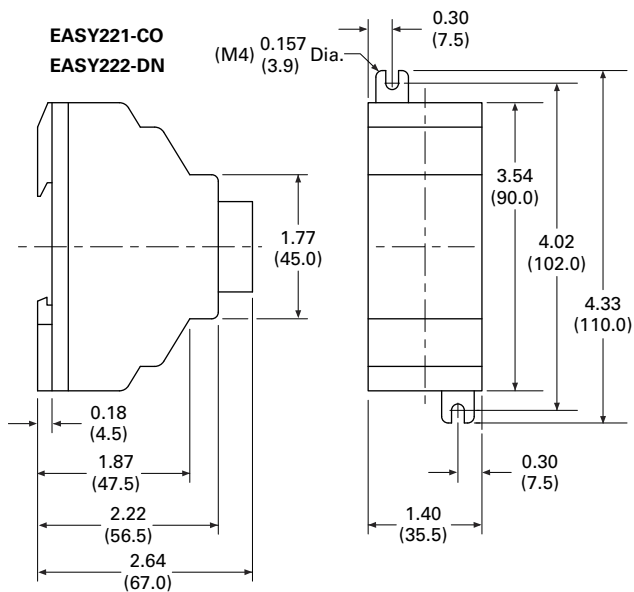
**EASY202-RE/EASY200-EASY/EASY205-ASI/  
EASY209-SE Series, Drawing Number MD05013012E**



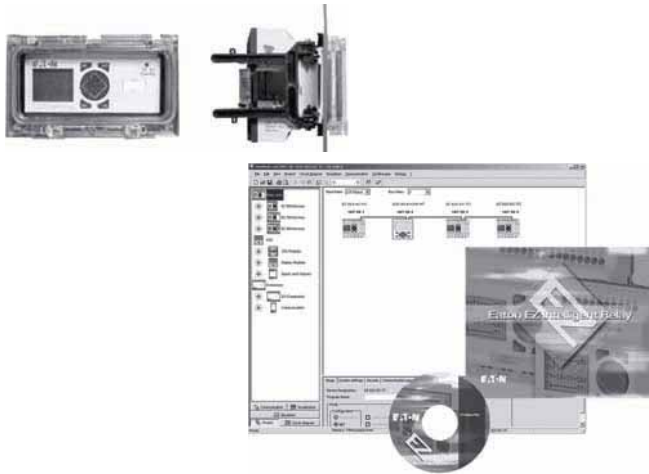
**EASY204-DP Series,  
Drawing Number MD05013011E**



**EASY221-CO/EASY222-DN Series,  
Drawing Number MD05013010E**



**EASY/MFD Power Supplies, Accessories and Software**



**EASY/MFD Power Supplies, Accessories and Software**

**Product Description**

**EASY/MFD Power Supplies**

12 Vdc and 24 Vdc power supplies for applications where only 100–240 Vac is available.

**EASY/MFD Accessories**

Memory modules, cables and other components to complete your automation solutions.

**EASYSoft Software**

The EASYSoft software is used to program all of the EASY and MFD controllers and displays. The Windows®-based software provides straightforward circuit diagram input and editing and the diagrams can be displayed in the format desired. When EASY800 and MFD controllers are connected using EASY-NET, all connected devices can be accessed and their programs loaded from a single controller.

EASYSoft includes an integrated offline simulation tool that allows users to test a circuit diagram before commissioning.

**Contents**

<i><b>Description</b></i>	<i><b>Page</b></i>
EASY500/700/800 Intelligent Relays . . . . .	<b>V7-T40-20</b>
EASY/MFD Expansion Modules . . . . .	<b>V7-T40-25</b>
MFD Intelligent Relays . . . . .	<b>V7-T40-28</b>
EASY/MFD Communication Modules . . . . .	<b>V7-T40-33</b>
EASY/MFD Power Supplies, Accessories and Software	
Accessories . . . . .	<b>V7-T40-37</b>
Technical Data and Specifications . . . . .	<b>V7-T40-38</b>
Wiring Diagram . . . . .	<b>V7-T40-38</b>
Dimensions . . . . .	<b>V7-T40-39</b>

**Product Selection**

**EASY Power Supplies** ①

<b>Description</b>	<b>Catalog Number</b>
100–240 Vac input to 12 Vdc at 20 mA/24 Vdc at 250 mA	<b>EASY200-POW</b>
100–240 Vac input to 24 Vdc at 1.25A	<b>EASY400-POW</b>

**Note**

① See Technical Data and Specifications on **Page V7-T40-38** for more information.

## Accessories

## EASY/MFD Memory Storage Modules

Description	Catalog Number
EASY500/700 32K memory storage module	EASY-M-32K
EASY800/MFD 256K memory storage module	EASY-M-256K

## EASY/MFD Cables and Connectors

Description	Catalog Number
EASY500/700 to PC programming cable RS-232 from PC	EASY-PC-CAB
EASY800/MFD to PC programming cable RS-232 from PC	EASY800-PC-CAB
EASY500/700 to MFD-CP4 communication cable, 5m	MFD-CP4-500-CAB5
EASY800 to MFD-CP8 communication cable, 2m	MFD-800-CAB
EASY800 to MFD-CP8 communication cable, 5m	MFD-800-CAB5
EASY800 to MFD-CP4 communication cable, 5m	MFD-CP4-800-CAB5
EASY800/MFD EASY-NET cable, 0.3m networking cable	EASY-NT-30
EASY800/MFD EASY-NET cable, 0.8m networking cable	EASY-NT-80
EASY800/MFD EASY-NET cable, 1.5m networking cable	EASY-NT-150
EASY800/MFD network termination resistor, 2/pack	EASY-NT-R
EASY800/MFD EASY-NET cable (cable only, no connectors, see EASY-NT-RJ45), 100m	EASY-NT-CAB
RJ45 network connectors for EASY-NET cable (EASY-NT-CAB), 10/pack	EASY-NT-RJ45

EASY700/500  
Panel Window  
and Mounting Kit

## EASY/MFD Miscellaneous Parts

Description	Catalog Number
EASY500 relay simulator	EASY412-DC-SIM-NA
EASY500 panel window	SKF-FF4
EASY700/800 panel window	SKF-FF6
EASY500/700/800 panel window mounting kit to front mount units	SKF-HA
EASY/MFD panel mount brackets, 9/pack	ZB4-101-GF1
EASY/MFD grounding kit	ZB4-102-KS1
MFD display DIN rail mount kit	MFD-TS144
MFD display protective membrane cover	MFD-XM-80
MFD display protective plastic cover	MFD-XS-80
EASY/MFD six-channel high current input adapter ①	EASY256-HCI
EASY/MFD spare interface connector, base to expander	EASY-LINK-DS
EASY starter kit (includes EASY512-DC-RC, EASY-PC-CAB, EASY412-DC-SIM-NA, EASYSoft)	EASYSTARTKIT1

## EASY Software

## EASY Software



## EASY/MFD Software

Description	Catalog Number
Programming software for EASY500/700/800 and MFD	EASYSOFT

**Note**

① See Technical Data and Specifications on [Page V7-T40-38](#) for more information.

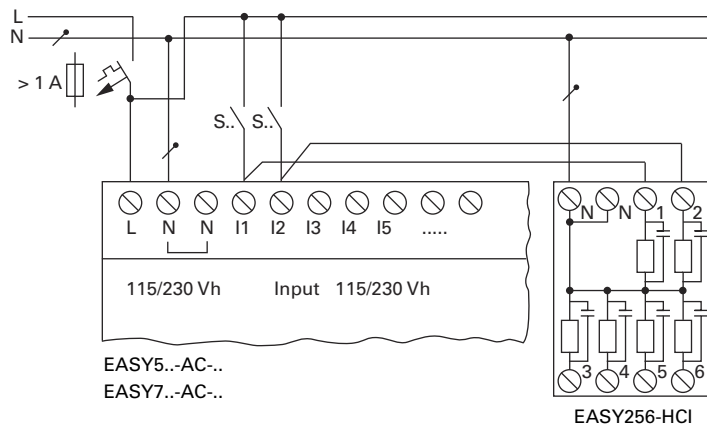
#### Technical Data and Specifications

##### EASY Power Supplies

Type	EASY200-POW	EASY400-POW
Supply voltage	100–240 Vac	100–240 Vac
Maximum range	85–264 Vac	85–264 Vac
Output voltage	24 Vdc (±3%)	24 Vdc (±3%)
Output current (rated value)	0.25A	1.25A
Overcurrent limitation form	0.3A	1.4A
Short-circuit proof (secondary)	Yes	Yes
Overload proof	Yes	Yes
Potential isolation (prim/sec.)	Yes, SELV, (to EN 600950, VDE 805)	Yes, SELV, (to EN 600950, VDE 805)
Others	Additional output voltage 12 DC, 20 mA	Additional output voltage 12 DC, 20 mA
Connection cables		
Solid	0.2–4.0 mm <sup>2</sup> (AWG 22-12)	0.2–4.0 mm <sup>2</sup> (AWG 22-12)
Flexible	0.2–2.5 mm <sup>2</sup> (AWG 22-12)	0.2–2.5 mm <sup>2</sup> (AWG 22-12)
Degree of protection	IP20	IP 20
RFI suppression	EN 55011, EN 55022 Class B, IEC 61000-6-1, 2, 3, 4	EN 55011, EN 55022 Class B, IEC 61000-6-1, 2, 3, 4
Ambient operating temperature	–25 to 55°C	–25 to 55°C
Transport and storage temperature	–40 to 70°C	–40 to 70°C
Mounting	On top-hat rail to DIN 50022, 35 mm or screw mounting with ZB4-101-GF1 fixing brackets	

#### Wiring Diagram

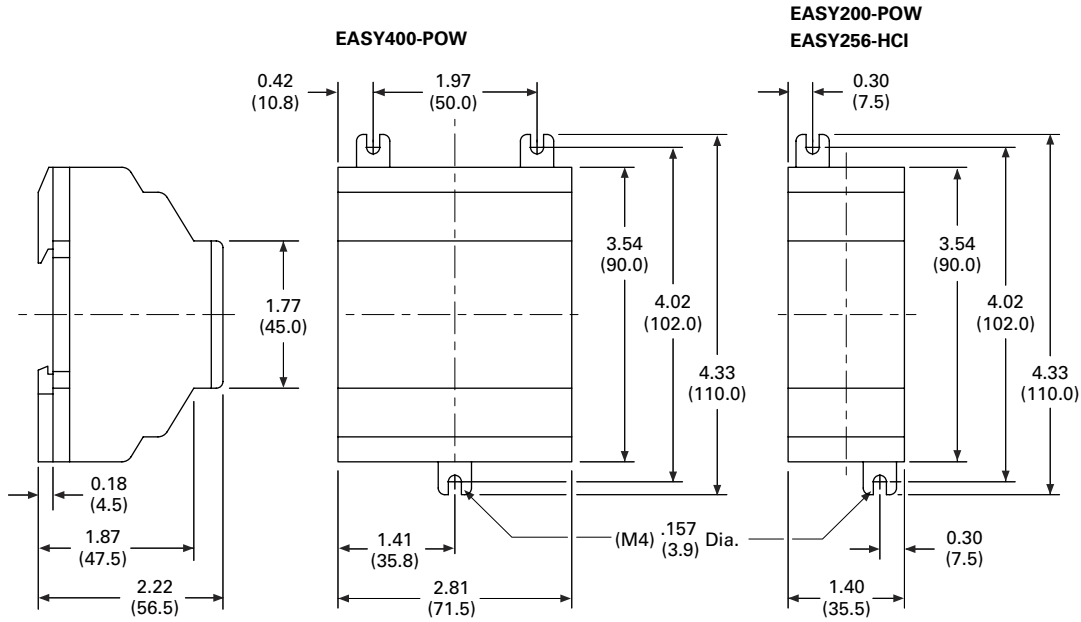
##### EASY256-HCI



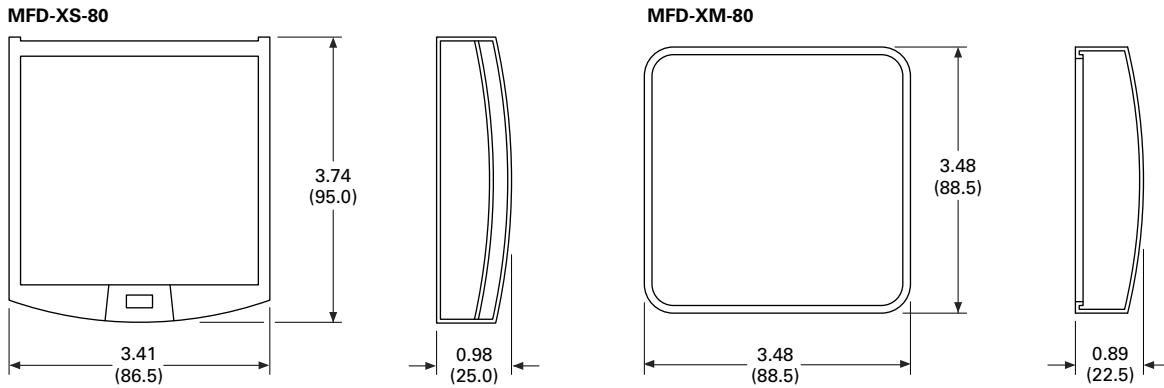
**Dimensions**

Approximate Dimensions in Inches (mm)

**EASY200-POW/EASY256-HCI and EASY400-POW Series, Drawing Number MD05013004E**



**MFD-XS-80 and MFD-XM-80 Series, Drawing Number MD05013009E**



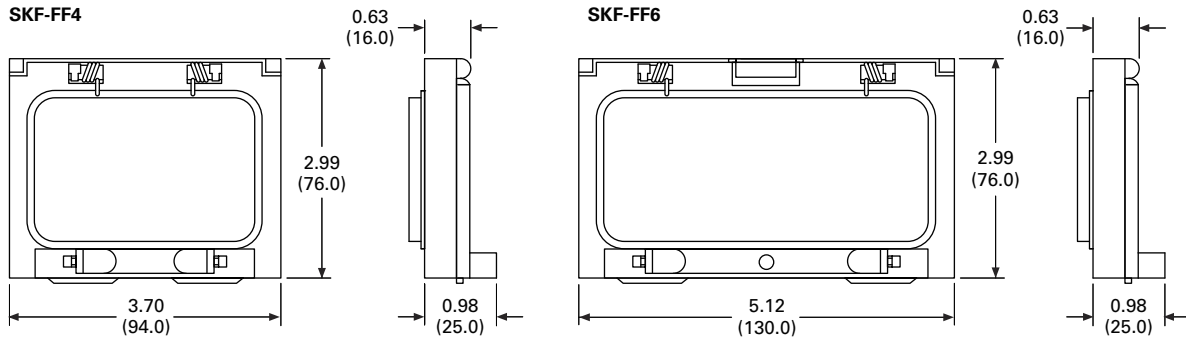
# 40.3

## Control Relays and Timers

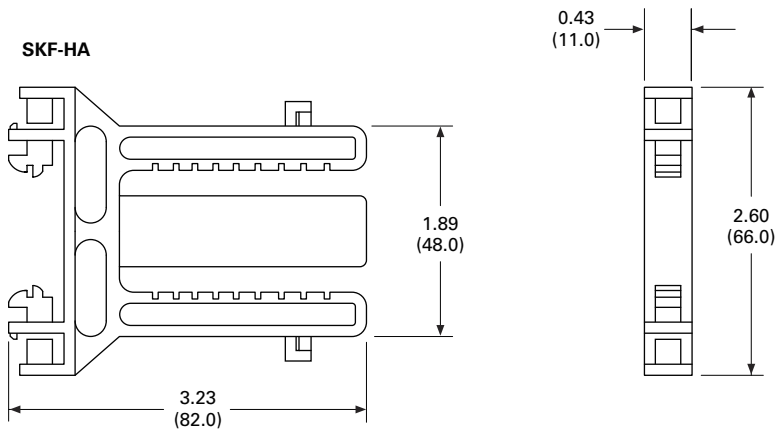
### EASY Intelligent Relays

Approximate Dimensions in Inches (mm)

#### SKF-FF4 and SKF-FF6 Series, Drawing Number MD05013014E

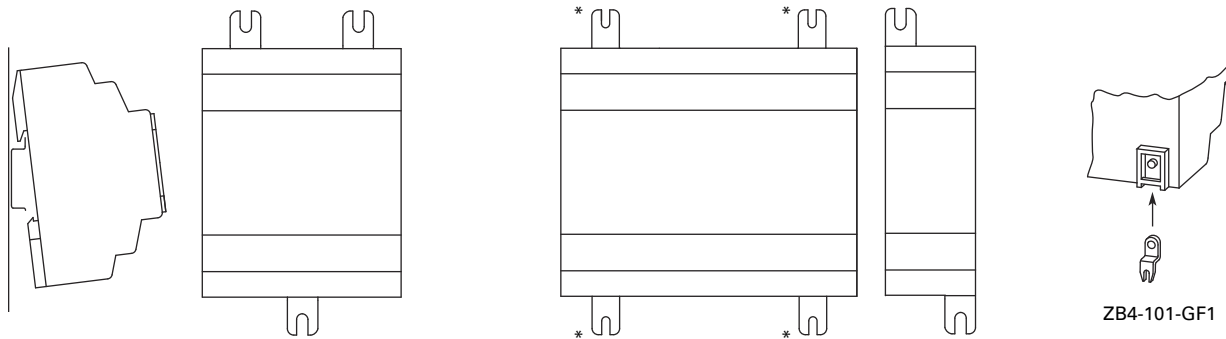


#### SKF-HA Series, Drawing Number MD05013015E



#### ZB4-101-GF1 Series

\* 3 fixing feet sufficient



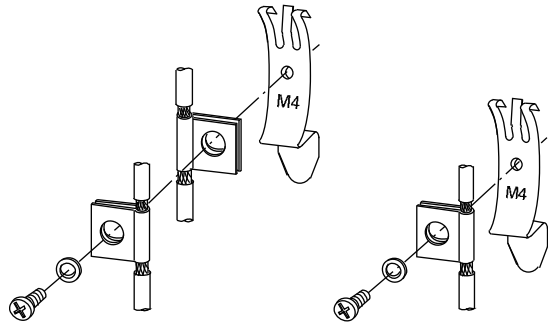
Fitting on 35 mm Top-Hat Rail

Fitting on Mounting Plate (Horizontal)

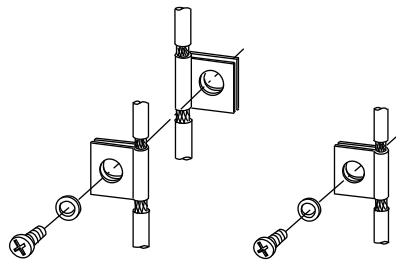
ZB4-101-GF1

Approximate Dimensions in Inches (mm)

**ZB4-102-KS1 Series—  
Grounding the Screen for Top-Hat Rail**



**ZB4-102-KS1 Series—  
Grounding the Screen for Mounting Plate**



**EASY412-DC-SIM-NA Series**

