

# BSFH77G06

## Satellite Tuner

### FEATURES

- Digital AFT out
- Standup Package
- AGC sample out
- Compact, lightweight design (22 cc)
- Electronic tuning for frequency synthesizer

### DESCRIPTION

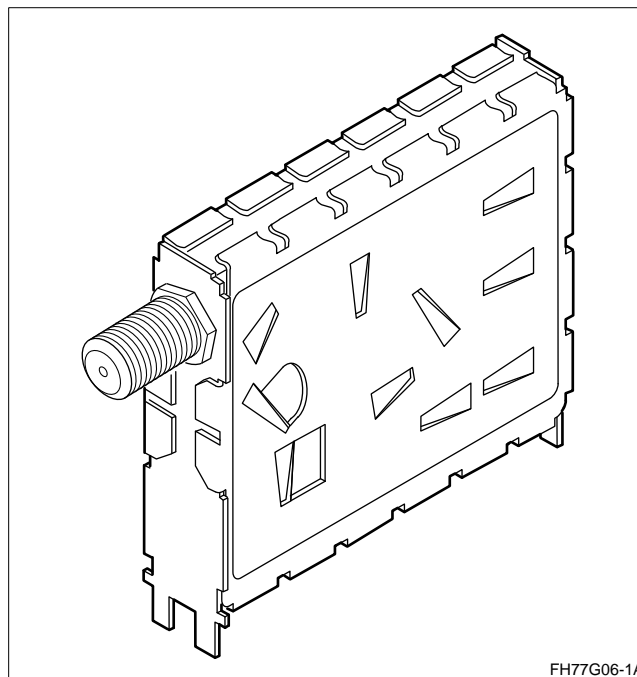
The BSFH77G06 is an integrated single conversion tuner and FM demodulator. It was designed for the reception of analog signals. It has a single input and a combined video and audio output. The input frequency range is 920 to 2,050 MHz. A 27/18 MHz switchable bandpass filter is positioned at the first IF. A digital AFT output is provided for evaluation of receiver system accuracy.

This tuner can be controlled by external three wire PLL interface. A 1/128 prescaler is internal to this tuner and provides the ability to interface with a PLL.

For more information on this product, please contact your local Sharp representative.

### APPLICATIONS:

- Satellite receiver
- Data receiver
- Wide-band front end



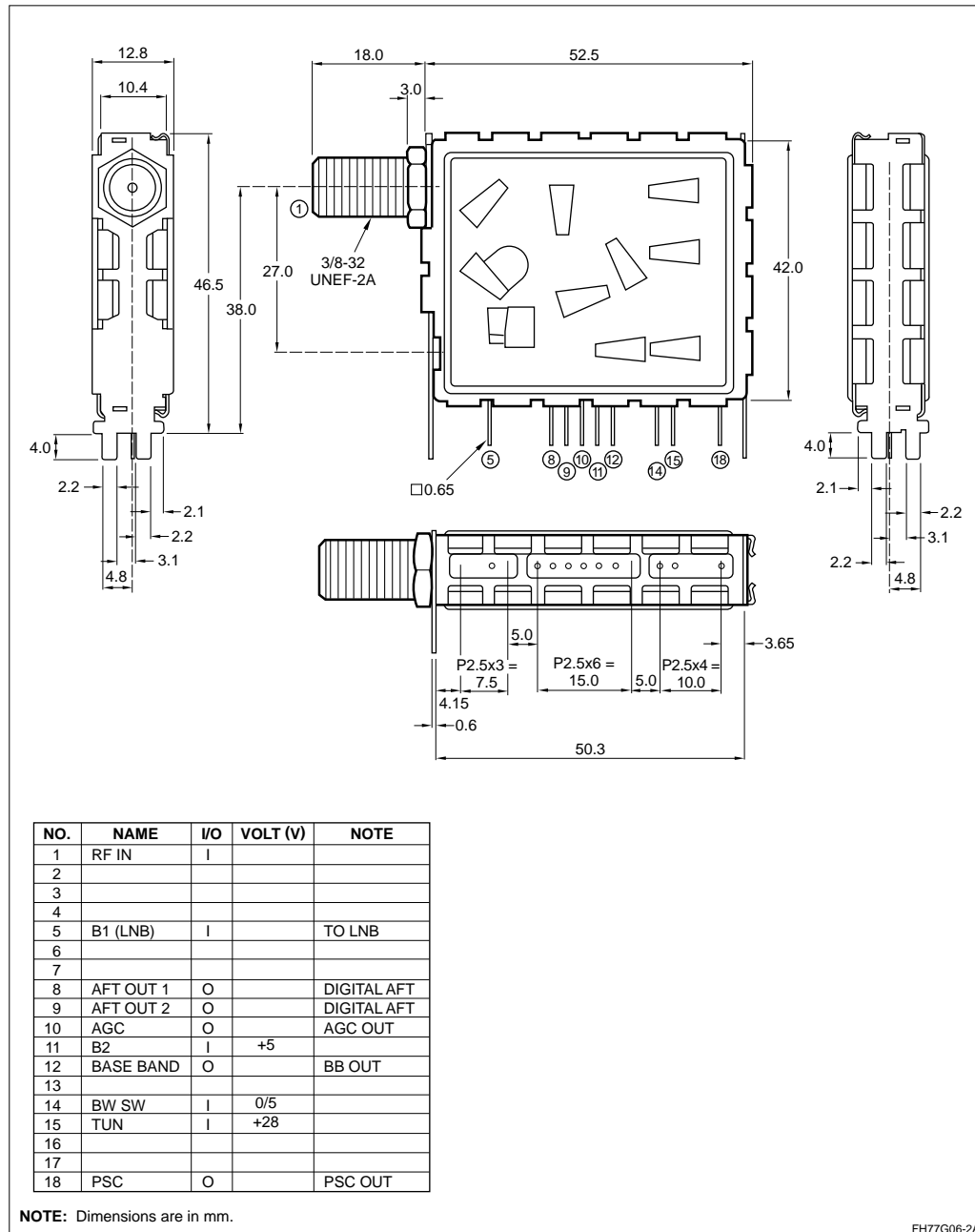
### SPECIFICATIONS

Receiving Frequency Range	920 to 2,050 MHz
Input Level	-60 to -30 dBm
Input Impedance	75 $\Omega$
Intermediate Frequency	479.5 MHz
Channel Selection System	Electronic tuning for frequency synthesizer
Operating Supply Voltage	5 $\pm$ 0.3 V
Operating ODU Voltage	25 V
Operating Tuning Voltage	0.6 to 28 V
IF Bandwidth	27/18 MHz
Demodulation System	PLL
Input Structure	F type female
Prescaler Division Ratio	1/128

# PRODUCT INFORMATION

# SHARP

## BSFH77G06 MECHANICAL DIMENSIONS



### Sharp Electronics Corporation Regional Sales Offices

#### North American Headquarters

Camas, WA  
Ph (360) 834-2500  
Fax (360) 834-8903

#### West

Irvine, CA  
Ph (714) 250-0225  
Fax (714) 250-0438

San Jose, CA  
Ph (408) 436-4900  
Fax (408) 436-0924

#### Central

Romeoville, IL  
Ph (708) 226-2400  
Fax (708) 759-8572

Auburn Hills, MI  
Ph (810) 377-9220  
Fax (810) 377-9222

Austin, TX  
Ph (512) 349-7262  
Fax (512) 349-7002

DFW Airport, TX  
Ph (214) 574-5205  
Fax (214) 456-0360

Houston, TX  
Ph (713) 955-9909  
Fax (713) 955-9910

#### East

Burlington, MA  
Ph (617) 270-7979  
Fax (617) 229-9117

Annandale, NJ  
Ph (908) 713-0505  
Fax (908) 713-0566

Durham, NC  
Ph (919) 941-0065  
Fax (919) 941-0066

### Distributors

#### Future Electronics

Canada  
Ph (514) 694-7710  
Fax (514) 695-3707

#### Marshall Industries

El Monte, CA  
Ph (800) 522-0084  
Fax (818) 307-6173  
URL <http://www.marshall.com>

#### Milgray

Farmingdale, NY  
Ph (800) MILGRAY (645-4729)  
Fax (516) 293-6465

#### Reptron

Tampa, FL  
Ph (800) 659-1361  
Fax (813) 854-2351

#### Sterling Electronics Corp.

Houston, TX  
Ph (800) 745-5500  
Fax (713) 629-3939

**SHARP**  
FROM SHARP MINDS  
COME SHARP PRODUCTS™

FastFax Service: 1-800-833-9437

Product Information: 1-800-642-0261

World Wide Web Site: <http://www.sharpmeg.com>