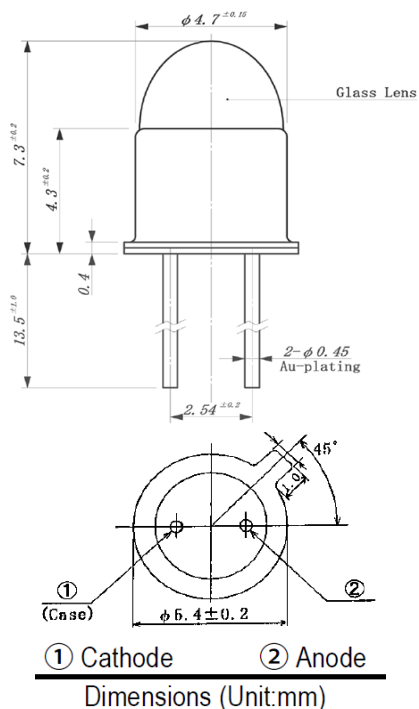


Peak Emission Wavelength: 1200nm



**Description**

- TO-46 with glass lens cap
- Type: InGaAs/InP, MQW
- High power
- High speed
- Narrow beam angle
- High reliability

**Application**

- Optical switches
- Optical communication
- Safety equipment
- Automation

Absolute Maximum Ratings (Ta=25°C)



| ITEMS                        | TEST CONDITIONS         | SYMBOL | RATINGS     | UNIT |
|------------------------------|-------------------------|--------|-------------|------|
| Forward DC Current           |                         | If     | 100         | mA   |
| Peak Forward Current (pulse) | t ≤ 50us, T = 100us     | Ifp    | 200         | mA   |
| Reverse Voltage              | Ir=10uA                 | Vr     | 5           | V    |
| Power Dissipation            |                         | Po     | 115         | mW   |
| Operating Temperature Range  |                         | Top    | -20 to +85  | °C   |
| Storage Temperature Range    |                         | Tst    | -30 to +100 | °C   |
| Lead Soldering Temperature   | t < 5sec, 3mm from case | Tslg   | 260         | °C   |
| Junction Temperature         |                         | Tj     | 100         | °C   |

**Electrical & Optical Characteristics (Ta = 25°C)**

| ITEMS              | SYMBOL                | CONDITIONS | MIN  | TYP   | MAX  | UNIT |
|--------------------|-----------------------|------------|------|-------|------|------|
| Forward Voltage    | Vf                    | If=20mA    | --   | 0.9   | 1.0  | V    |
| Forward Voltage    | Vf                    | If=100mA   | --   | 1.0   | 1.2  | V    |
| Radiant Power      | $\Phi_e$              | If=20mA    | 1.1  | 1.5   | --   | mW   |
| Radiant Power      | $\Phi_e$              | If=100mA   | --   | 7     | --   | mW   |
| Peak Wavelength    | $\lambda_p$           | If=20mA    | 1170 | 1200  | 1230 | nm   |
| Spectral Bandwidth | $\Delta\lambda_{0.5}$ | If=20mA    | --   | 70    | --   | nm   |
| Viewing Angle      | $\varphi$             | If=20mA    | --   | 6     | --   | deg  |
| Switching Time     | tr, tf                | If=20mA    | --   | 25,40 | --   | ns   |