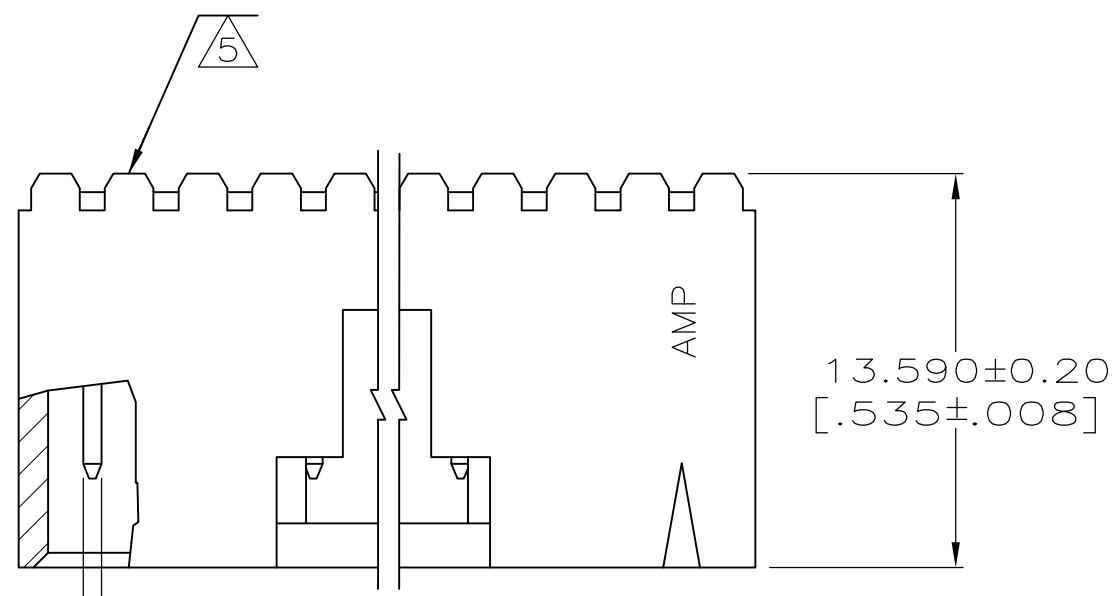
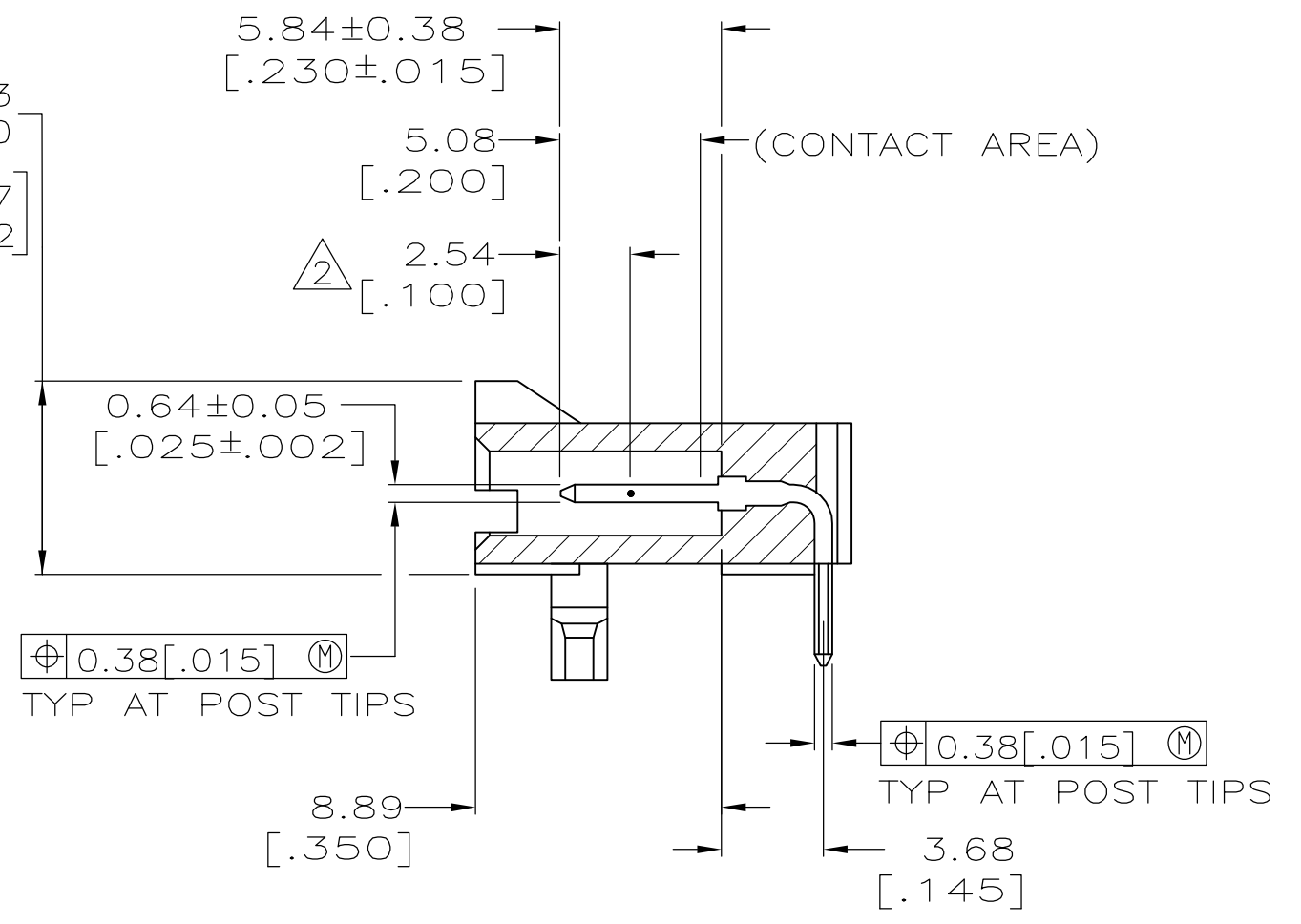
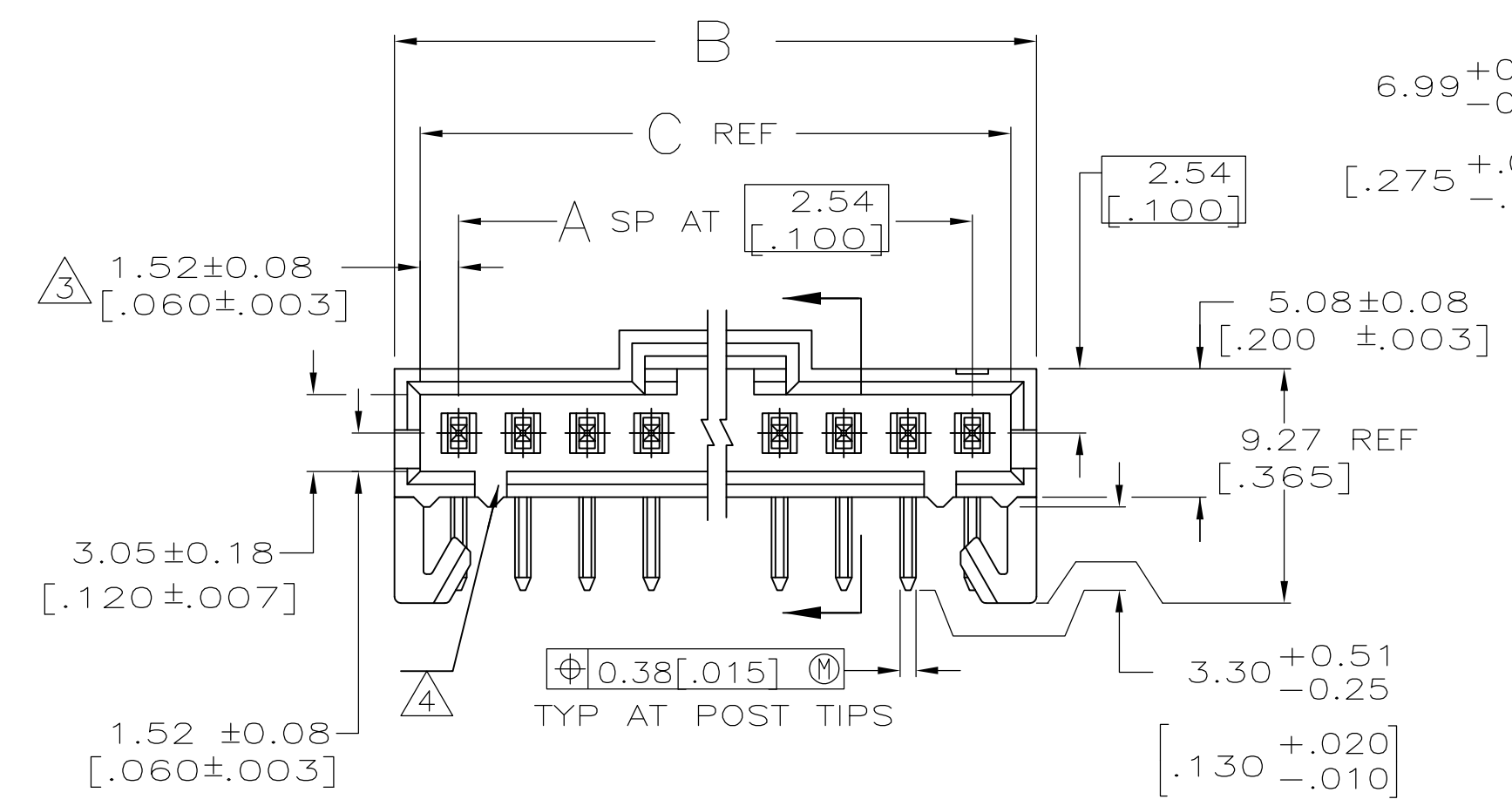


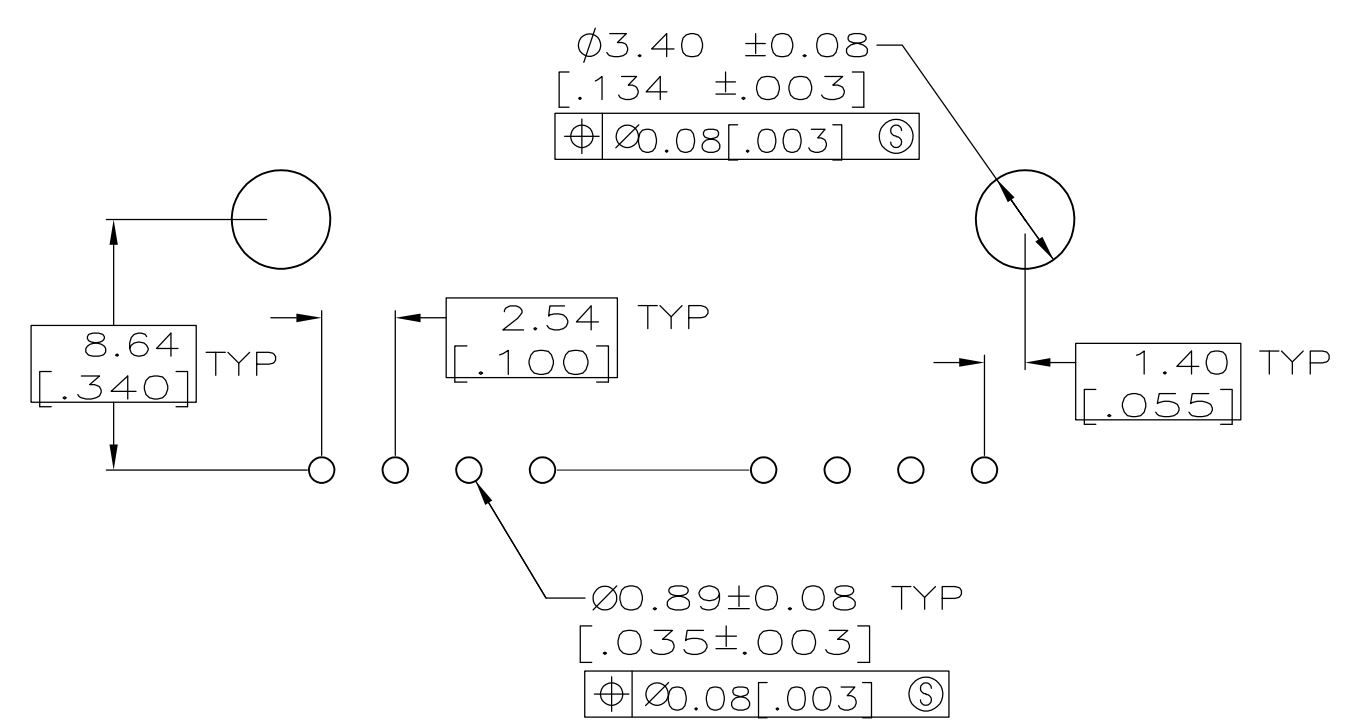
LOC		DIST		REVISIONS			
P	LR	DESCRIPTION	DATE	DWN	APPD		
T3		REVISED PER ECO-11-004587	11MAR11	RK	HMR		



0.64±0.02
[.025±.001] ϕ 0.38[.015] $\text{\textcircled{M}}$
TYP AT POST TIPS



- ① .00038[.000015] GOLD IN THE CONTACT AREA, .00254[.000100] MATTE TIN-LEAD ON REMAINDER OF CONTACT, ALL OVER .00127[.000050] NICKEL.
- ② POINT OF MEASUREMENT FOR PLATING THICKNESS.
- ③ THE NOTED DIMENSIONS APPLY AT THE INTERSECTION OF THE POST AND THE HOUSING.
- ④ ON ASSEMBLIES WITH FOUR OR MORE POSITIONS, TWO POLARIZATION SLOTS. ON ASSEMBLIES WITH TWO OR THREE POSITIONS, ONE POLARIZATION SLOT.
- ⑤ AMP TRADEMARK MOLDED ON THIS SURFACE.
- 6. FOR USE WITH 1.57±0.20[.062±.008] PRINTED CIRCUIT BOARD.
- ⑥ .00038[.000015] GOLD IN THE CONTACT AREA, .00254[.000100] MATTE TIN ON REMAINDER OF CONTACT, ALL OVER .00127[.000050] NICKEL.
- ⑦ PRELIMINARY PART - NOT RELEASED FOR PRODUCTION.
- ⑧ HIGH TEMPERATURE CONFIGURATION.
- ⑨ OBSOLETE PARTS: OBSOLETE CIS STREAMLINING PER D.RENAUD/D.SINISI



RECOMMENDED HOLE LAYOUT

SEE SHEET 2 FOR PART NUMBER TABLES

THIS DRAWING IS A CONTROLLED DOCUMENT.		DWN S. SHUEY 05MAR91	05MAR91		TE Connectivity	
DIMENSIONS: mm [INCHES]		CHK J. GESFORD 05MAR91	05MAR91		NAME HDR ASSY, RTANG, SINGLE ROW 2.54[.100] C/L 0.641[.025] SQ. POST, WITH PLZN & HOLD DOWNS, AMPMODU MTE	
TOLERANCES UNLESS OTHERWISE SPECIFIED:		APVD J. GESFORD 05MAR91	05MAR91	PRODUCT SPEC 108-25034		
0 PLC ± -		APPLIC. SPEC 114-25026		SIZE CAGE CODE DRAWING NO A1 00779 C=103673		
1 PLC ± -		WEIGHT		RESTRICTED TO		
2 PLC ± 0.13[.005]		CUSTOMER DRAWING		SCALE 4:1 SHEET 1 OF 2 REV T3		
3 PLC ± -		SCALE		REV		
4 PLC ± -		SHEET		REV		
ANGLES ± -		REV		REV		
FINISH SEE TABLE		REV		REV		

THIS DRAWING IS UNPUBLISHED. RELEASED FOR PUBLICATION
 © COPYRIGHT - By - ALL RIGHTS RESERVED.

LOC	DIST	REVISIONS					
AD	00	P	LTR	DESCRIPTION	DATE	DWN	APVD
		-	-	SEE SHEET 1	-	-	-

9	7	64.01	66.04	24	25	7-103673-4	OBSOLETE	10
		[2.520]	[2.600]					
9	7	61.47	63.50	23	24	7-103673-3		
		[2.420]	[2.500]					
9	7	58.93	60.96	22	23	7-103673-2	OBSOLETE	10
		[2.320]	[2.400]					
9	7	56.39	58.42	21	22	7-103673-1	OBSOLETE	10
		[2.220]	[2.300]					
9	7	53.85	55.88	20	21	7-103673-0	OBSOLETE	10
		[2.120]	[2.200]					
9	7	51.31	53.34	19	20	6-103673-9		
		[2.020]	[2.100]					
9	7	48.77	50.80	18	19	6-103673-8	OBSOLETE	10
		[1.920]	[2.000]					
9	7	46.23	48.26	17	18	6-103673-7	OBSOLETE	10
		[1.820]	[1.900]					
9	7	43.69	45.72	16	17	6-103673-6		
		[1.720]	[1.800]					
9	7	41.15	43.18	15	16	6-103673-5		
		[1.620]	[1.700]					
9	7	38.61	40.64	14	15	6-103673-4		
		[1.520]	[1.600]					
9	7	36.07	38.10	13	14	6-103673-3		
		[1.420]	[1.500]					
9	7	33.53	35.56	12	13	6-103673-2	OBSOLETE	10
		[1.320]	[1.400]					
9	7	30.99	33.02	11	12	6-103673-1		
		[1.220]	[1.300]					
9	7	28.45	30.48	10	11	6-103673-0		
		[1.120]	[1.200]					
9	7	25.91	27.94	9	10	5-103673-9		
		[1.020]	[1.100]					
9	7	23.37	25.40	8	9	5-103673-8		
		[.920]	[1.000]					
9	7	20.83	22.86	7	8	5-103673-7		
		[.820]	[.900]					
9	7	18.29	20.32	6	7	5-103673-6		
		[.720]	[.800]					
9	7	15.75	17.78	5	6	5-103673-5		
		[.620]	[.700]					
9	7	13.21	15.24	4	5	5-103673-4		
		[.520]	[.600]					
9	7	10.67	12.70	3	4	5-103673-3		
		[.420]	[.500]					
9	7	8.13	10.16	2	3	5-103673-2		
		[.320]	[.400]					
9	7	5.59	7.62	1	2	5-103673-1		
		[.220]	[.300]					
REMARKS	PLATING	C	B	A	NO. OF POSN	PART NO.		

8	7	41.15	43.18	15	16	2-103673-6		
		[1.620]	[1.700]					
8	7	18.29	20.32	6	7	2-103673-5		
		[.720]	[.800]					
1	1	64.01	66.04	24	25	2-103673-4		
		[2.520]	[2.600]					
1	1	61.47	63.50	23	24	2-103673-3		
		[2.420]	[2.500]					
1	1	58.93	60.96	22	23	2-103673-2	OBSOLETE	10
		[2.320]	[2.400]					
1	1	56.39	58.42	21	22	2-103673-1		
		[2.220]	[2.300]					
1	1	53.85	55.88	20	21	2-103673-0	OBSOLETE	10
		[2.120]	[2.200]					
1	1	51.31	53.34	19	20	1-103673-9		
		[2.020]	[2.100]					
1	1	48.77	50.80	18	19	1-103673-8	OBSOLETE	10
		[1.920]	[2.000]					
1	1	46.23	48.26	17	18	1-103673-7		
		[1.820]	[1.900]					
1	1	43.69	45.72	16	17	1-103673-6		
		[1.720]	[1.800]					
1	1	41.15	43.18	15	16	1-103673-5		
		[1.620]	[1.700]					
1	1	38.61	40.64	14	15	1-103673-4		
		[1.520]	[1.600]					
1	1	36.07	38.10	13	14	1-103673-3		
		[1.420]	[1.500]					
1	1	33.53	35.56	12	13	1-103673-2	OBSOLETE	10
		[1.320]	[1.400]					
1	1	30.99	33.02	11	12	1-103673-1		
		[1.220]	[1.300]					
1	1	28.45	30.48	10	11	1-103673-0		
		[1.120]	[1.200]					
1	1	25.91	27.94	9	10	103673-9		
		[1.020]	[1.100]					
1	1	23.37	25.40	8	9	103673-8		
		[.920]	[1.000]					
1	1	20.83	22.86	7	8	103673-7		
		[.820]	[.900]					
1	1	18.29	20.32	6	7	103673-6		
		[.720]	[.800]					
1	1	15.75	17.78	5	6	103673-5		
		[.620]	[.700]					
1	1	13.21	15.24	4	5	103673-4		
		[.520]	[.600]					
1	1	10.67	12.70	3	4	103673-3		
		[.420]	[.500]					
1	1	8.13	10.16	2	3	103673-2		
		[.320]	[.400]					
1	1	5.59	7.62	1	2	103673-1		
		[.220]	[.300]					
PLATING	C	B	A	NO. OF POSN	PART NO.			

THIS DRAWING IS A CONTROLLED DOCUMENT.

DIMENSIONS: mm [INCHES]	TOLERANCES UNLESS OTHERWISE SPECIFIED: 0 PLC ± - 1 PLC ± - 2 PLC ± 0.13[.005] 3 PLC ± - 4 PLC ± - ANGLES ± -	FINISH SEE TABLE	DWN S. SHUEY OSMAR91	CHK J. GESFORD OSMAR91	APVD J. GESFORD OSMAR91	NAME HDR ASSY, RTANG, SINGLE ROW 2.54[.100] C/L 0.641[.025] SQ. POST. WITH PLZN & HOLD DOWNS, AMPMODU MTE	SIZE A1	CAGE CODE 100779	DRAWING NO. 103673	RESTRICTED TO -
MATERIAL -			CUSTOMER DRAWING		SCALE 4:1	SHEET 2 OF 2	REV T3			

STE TE Connectivity