

**PLEASE CHECK WWW.MOLEX.COM FOR LATEST PART INFORMATION**

**Part Number:** [0039036030](#)  
**Status:** **Active**  
**Overview:** [standard\\_093](#)  
**Description:** 2.36mm (.093") Diameter Standard .093" Pin and Socket Plug Housing With Positive Latch, UL 94V-2, Panel Mount, 3 Circuits

**Documents:**

[3D Model](#) [Product Specification PS-3191-001 \(PDF\)](#)  
[Drawing \(PDF\)](#) [RoHS Certificate of Compliance \(PDF\)](#)

**Agency Certification**

CSA	LR19980
TUV	R72081037
UL	E29179

**General**

Product Family	Crimp Housings
Series	<a href="#">3191</a>
Comments	Polarized to Mating Part
Overview	<a href="#">standard_093</a>
Product Name	Standard .093"

**Physical**

Breakaway	No
Circuits (maximum)	3
Circuits Detail	1x3
Color - Resin	Natural
Flammability	94V-2
Gender	Dual
Glow-Wire Compliant	No
Keying to Mating Part	None
Lock to Mating Part	Yes
Material - Resin	Nylon
Number of Rows	1
Packaging Type	Bag
Panel Mount	Yes
Pitch - Mating Interface (in)	0.264 In
Pitch - Mating Interface (mm)	6.71 mm
Polarized to Mating Part	Yes
Stackable	No
Temperature Range - Operating	-40°C to +105°C

**Electrical**

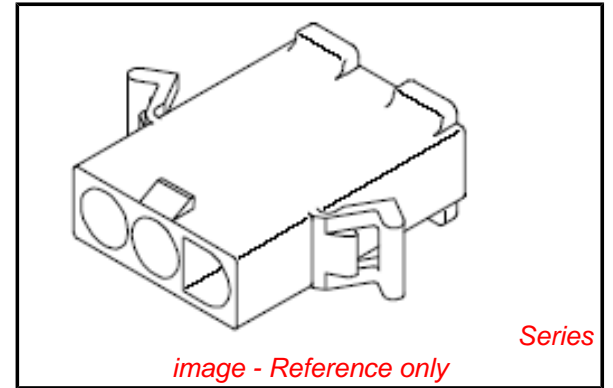
Current - Maximum per Contact	11A
-------------------------------	-----

**Material Info**

Old Part Number	3191-03P
-----------------	----------

**Reference - Drawing Numbers**

Packaging Specification	SPK-3191-001
Product Specification	PS-3191-001
Sales Drawing	SD-3191-03P-*



**EU RoHS**

**ELV and RoHS  
Compliant**

**REACH SVHC**

**Contains SVHC: No  
Halogen-Free**

**Status**

**Not Reviewed**

**Need more information on product  
environmental compliance?**

Email [productcompliance@molex.com](mailto:productcompliance@molex.com)  
 For a multiple part number RoHS Certificate of Compliance, [click here](#)

Please visit the [Contact Us](#) section for any non-product compliance questions.

**China RoHS**



**Search Parts in this Series**

[3191Series](#)

**Mates With**

[3191](#) Pin and Socket Rectacle, [5219](#) Vertical PCB Header

**Use With**

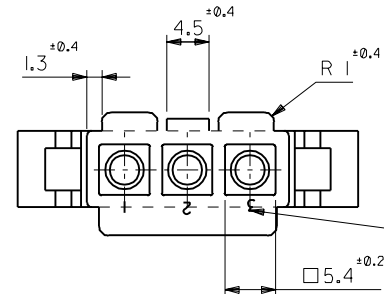
[1189](#) Crimp Terminals, [1190](#) Crimp Terminals, [1380](#) Male Crimp Terminals, [1381](#) Female Crimp Terminals, [1433](#) Crimp Terminals, [1434](#) Male Crimp Terminals, [2605](#) , [2606](#) , [1973](#) , [2151](#) , [2273](#) , [2870](#) , [2871](#) , [4272](#) , Lin

E

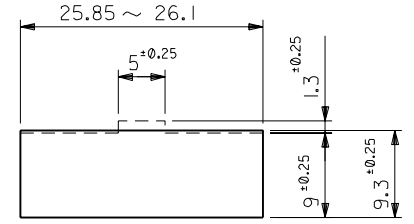
D

MM DIMENSIONS IN METRIC DO NOT SCALE DRAWING

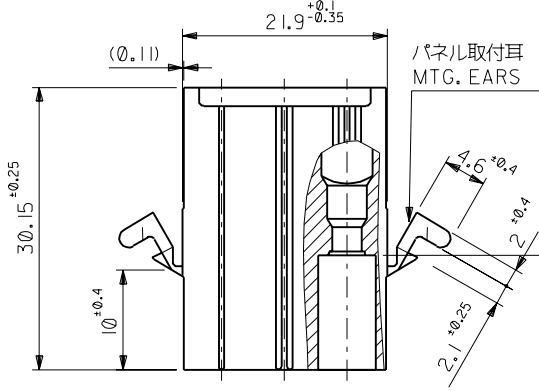
A



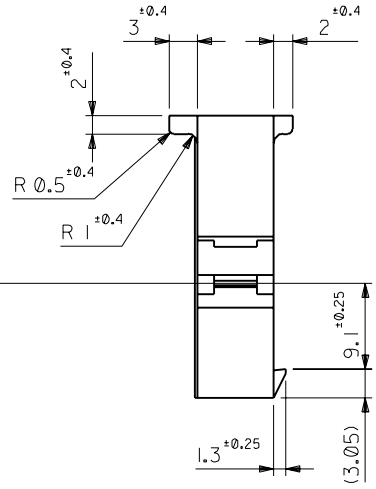
サーキット番号  
CIRCUIT NO.



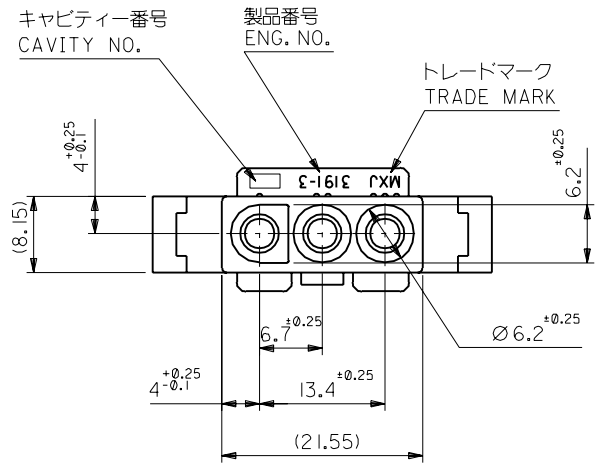
パネル取付穴推奨寸法 (厚さ2.0最大)  
ハウジングの装着はパネル穴打抜き方向より行うこと  
RECOMMENDED PANEL HOLE DIMENSION (THK. 2.0 MAX.)  
ATTACH THE HOUSING FROM THE DIRECTION OF  
PANEL HOLE PUNCHED OUT.



パネル取付耳  
MTG. EARS



注記  
NOTE  
( ) 内寸法は参考値  
DIMENSIONS IN ( ) ARE REFERENCE



キャビティー番号  
CAVITY NO.

製品番号  
ENG. NO.

トレードマーク  
TRADE MARK

39-03-6031	3191-03P-201	NYLON66	94V-0
39-03-6030	3191-03P	NYLON66	94V-2
EDP. NO.	ENG. NO.	MATERIAL	UL

角度 ANGLE	33°	再作図 REDRAWN	H.I.	%/06/24	CHK'D BY M.FUKUSHIMA
30°以上 OVER	+0.3	変更内容 REVISION RECORD	DR. M.F	DATE	尺度 SCALE 2:1
10°以上 30°未満 OVER	+0.25	記号 LTR	DR. CHK.	DATE	
10°未満 UNDER	+0.2	一般公差 GENERAL TOLERANCES			

材料 MATERIAL	表参照 SEE CHART	molex MOLEX-JAPAN CO.,LTD. 日本モレックス株式会社
仕上げ FINISH	—	
適用電線範囲 WIRE RANGE	—	REVISE ONLY ON CAD SYSTEM
被覆外径 INS. RANGE	—	TITLE 名称
DRAWN BY %/06/24 H.I.IJIMA		3 CKT. PLUG HS'G. (.093 DIA. TERMINAL)
APP'D BY %/06/24 M.ENOMOTO		DWG. NO. SD-3191-03P-*
		REV J