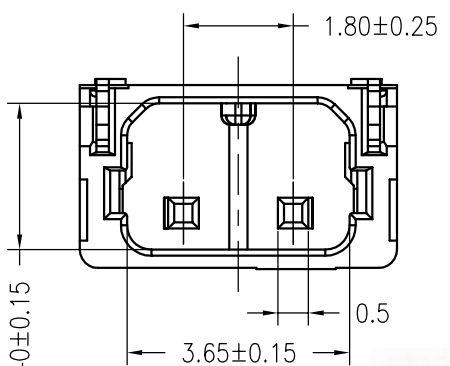


### Board Layout



- Specifications :**
- Voltage rating: 350V AC / DC
  - Current rating: 4 A AC / DC
  - Withstanding voltage: 1700V AC/minute
  - Temperature range: -25°C~+85°C
  - Insulation resistance: ≥1000MΩ
  - Contact resistance: ≤30mΩ
  - After environmental testing: ≤20mΩ

X1800 W R S-02 A -LP SW  
 ① ② ③ ④ ⑤ ⑥ ⑦ ⑧

- ① Series No.
- ② Category: W-WAFER
- ③ Welding Board Angle: R-Right Angle 90°
- ④ Welding Way: S-SMT
- ⑤ Row No.-Pin No.: 02-02P
- ⑥ Plug the Pin & Special No.: A- NO Lock
- ⑦ Material: LP -LCP 94V-0
- ⑧ Plating Category: SW-Matte Tin Plating

X1800WRS-02A-LPSW	LCP UL 94V-0	Brass	Matte Tin	X1800H-A
PART NO	Material	Material (Pin&Solder tab)	Finish(Pin)	Suitable XKB Terminal

△ X	For and on behalf of <b>XKB INDUSTRIAL PRECISION CO., LIMITED</b> 香港星坤工業精密有限公司	ANGULAR	±5°			
△ X		L ≤ 4	±0.2			
△ X		4 < L ≤ 16	±0.3			
△ X		16 < L ≤ 63	±0.4			
MARK	DESCRIPTION	DATE	REVISED	APPROVED	L > 63	±0.5
REVISIONS				UNSPECIFIED TOLERANCES		

DSND	DATE	SCALE: N/A	MODEL TYPE: 1800WRS-02A-LPSW
DWN	DATE	VIEW:	PART NO.:
CHKD	DATE	UNIT: mm	1.80mm Crimp Style Connectors
APPD	DATE	SIZE: A4	DWG NO.:
XKB INDUSTRIAL PRECISION CO., LIMITED			WEIGHT 1.0g
			SHEET 1/1
			REVISION A0

Authorized Signature(s)

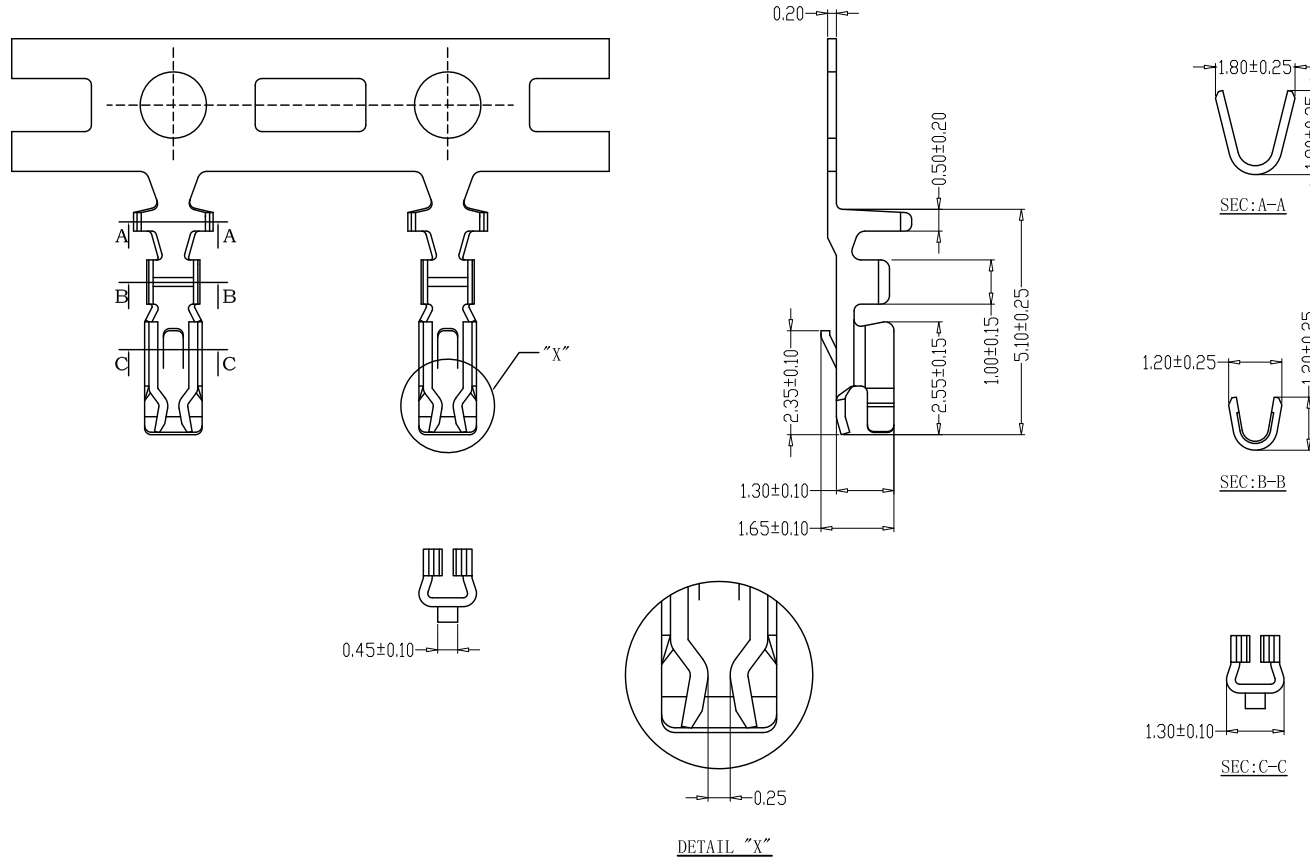
### Specifications :

- Voltage rating: 350V AC / DC
- Current rating: 4 A AC / DC
- Withstanding voltage: 1700V AC/minute
- Temperature range: -25°C~+85°C
- Insulation resistance: ≥1000MΩ
- Contact resistance: ≤30mΩ
- After environmental testing: ≤20mΩ

### X1800 T - P SN

① ② ③ ④

- ① Series Number
- ② Category: T-terminal
- ③ Material: P-Phosphor bronze
- ④ Plating Style: SN-Bright tin plating



X1800T-PSN	Phosphor Bronze	AWG#28-30	1.8 mm(Max)	Stamping Before plating:30u" MIN. Ni; 70u"Sn	X1800H
XPART NO	Material	Wire Range	Insulation O.D.	Finish	Suitable XKB Terminal

For and on behalf of  
**XKB INDUSTRIAL PRECISION CO., LIMITED**  
**香港星坤工業精密有限公司**

△ X					ANGULAR	± 5°
△ X					L ≤ 4	± 0.2
△ X					4 < L ≤ 16	± 0.3
△ X					16 < L ≤ 63	± 0.4
MARK	DESCRIPTION	DATE	REVISED	APPROVED	L > 63	± 0.5

UNSPECIFIED TOLERANCES

DSND	DATE	SCALE: N/A	MODEL TYPE:
DWN	DATE	VIEW:	PART NO.: 1.80mm Crimp Style Connectors
CHKD	DATE	UNIT: mm	DWG NO.: X1800T-PSN
APPD	DATE	SIZE: A4	
XKB INDUSTRIAL PRECISION CO., LIMITED			WEIGHT: 1.0g
			SHEET: 1/1
			REVISION: A0

Authorized Signature(s)