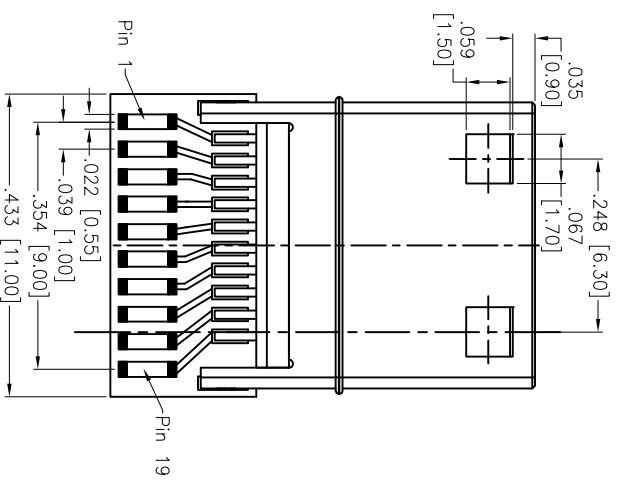
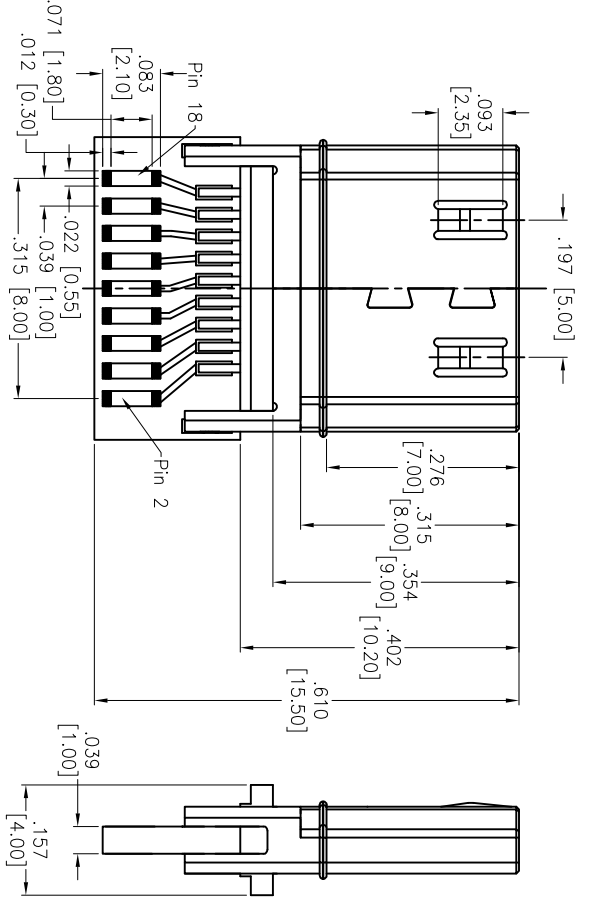
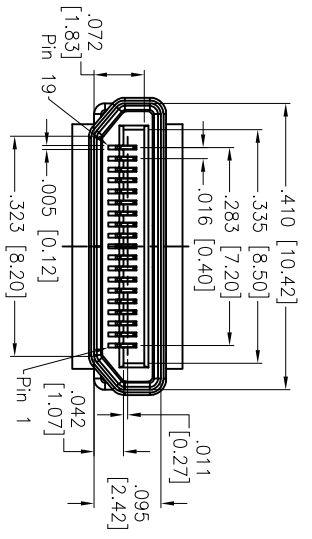


Rev	AWO #	Description	Date	Appr
-		RELEASED	08/05/12	

APPROVED: _____
 DATE: _____ TITLE: _____



SPECIFICATIONS:
 Insulator: Hi-Temp Thermoplastic, rated UL94V-0
 Insulator color: Black
 Contact: Phosphor Bronze
 Shell: Copper Alloy, Nickel plated
 Plating:
 Gold over Nickel underplate in contact area,
 Tin over Copper underplate on solder tails

Electrical:
 Operating voltage: 40 VAC max
 Current rating: 0.5 Amps max.
 Contact resistance: 30 mOhms max.
 Insulation Resistance:
 Unmated: 100 mOhms min @ 500 VDC
 Mated: 10 mOhms min @ 150 VDC

Environmental:
 Dielectric withstanding voltage: 500 VAC for 1 minute.
 Temperature Rating:
 Operating temperature: -25°C to +85°C
 Lead free, RoHS Compliant



ADAM TECH

909 Rahway Avenue, Union, NJ 07083
 Phone: 908-687-5000 Fax: 908-687-5710

MINI HDMI MALE CONNECTOR, SOLDER TYPE
 MALE, OVER MOLDING TYPE

UNLESS OTHERWISE SPECIFIED ALL DIMENSIONS ARE INCHES [MM] TOLERANCES EXCEPT AS NOTED INCHES		HOLE SIZE		DATE	
.X	± .10	ØXX	± .10	DATE	
.XX	± .020	ØXXX	± .015		
.XXX	± .015	ØXXX	± .010		
DRAWN TW		06/05/12		TITLE	
CHECKED AY		06/05/12		MINI HDMI MALE CONNECTOR, SOLDER TYPE	
APPROVED		06/05/12		MALE, OVER MOLDING TYPE	
SIZE X		PART NO. MHDML-PLUG-0M		REV.	
REF: S00167T		SCALE: NTS		SHEET 1 OF 1	