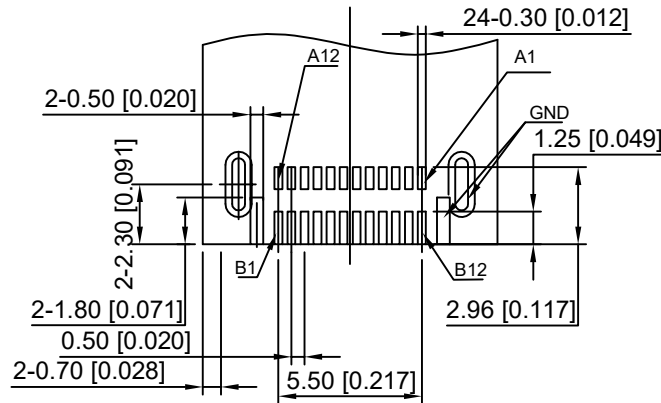
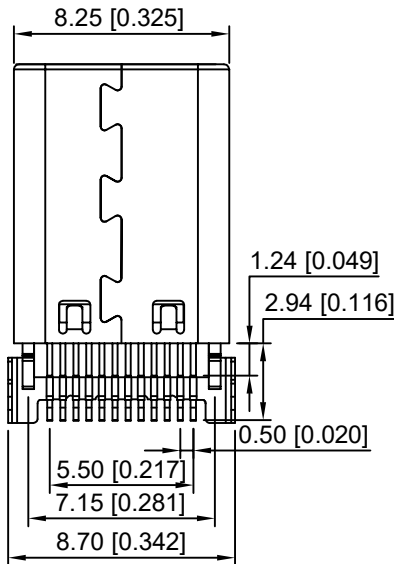
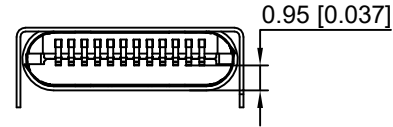
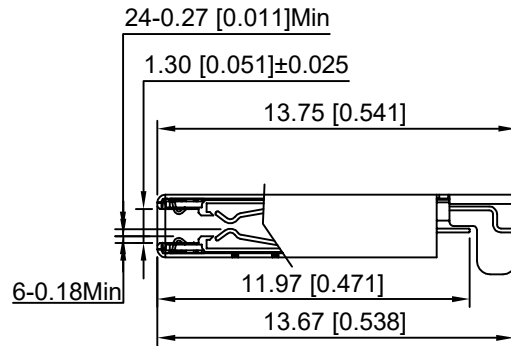
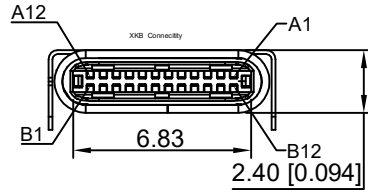
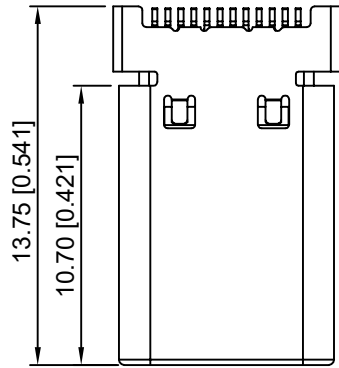


NOTE:

- 1.材料 MATERIAL:
  - 1.1 绝缘材料 INSULATOR: HIGH TEMPERATURE PLASTIC UL 94 V-0;
  - 1.2 接点 CONTACT: COPPER ALLOY(T=0.15mm)
  - 1.3 外壳 SHELL: STEEL(T=0.15mm)
- 2.电气特性 ELECTRICAL CHARACTERISTICS:
  - 2.1 接触电阻 CONTACT RESISTANCE: 40mΩ Max FOR INITIAL, 10mΩ CHANGE AFTER TEST. MEASURE AT 20mV, 100mA.
  - 2.2 接触电流额定值 CONTACT CURRENT RATING: 5A Max FOR VBUS/GND PIN; 0.9A Max FOR Other PIN.
  - 2.3 绝缘耐压 DIELECTRIC WITHSTANDING VOLTAGE: 100V AC R.M.S.
  - 2.4 INSULATION RESISTANCE 100MΩ Min
  - 2.5 工作温度 OPERATING TEMPERATURE: -40°C~85°C
- 3 机械特性 MECHANICAL CHARACTERISTICS:
  - 3.1 配合力 MATING FORCE: 5~20 N.
  - 3.2 未配对的力 UNMATED FORCE: 6~20N AFTER TEST
  - 3.3 耐久寿命 DURABILITY: 10,000 CYCLES, 500 CYCLES/H
- 4.电镀 PLATING
 

接点 CONTACT: CONTACT AREA PLATING Au 1~30u", SOLDER AREA PLATING 80~120U" MATTING Sn.

外壳/弹簧/扣 SHELL/SPRING/BUCKLE:20U" Min PLATING OVER ALL



Recommended P.C.B Layout  
Tolerance ± 0.05

XXB Connectivity

|     |      |      |                  |                   |    |    |    |                  |                  |      |      |     |
|-----|------|------|------------------|-------------------|----|----|----|------------------|------------------|------|------|-----|
| A12 | A11  | A10  | A9               | A8                | A7 | A6 | A5 | A4               | A3               | A2   | A1   |     |
| GND | RX2+ | RX2- | V <sub>BUS</sub> | SBU1              | D- | D+ | CC | V <sub>BUS</sub> | TX1-             | TX1+ | GND  |     |
| GND | TX2+ | TX2- | V <sub>BUS</sub> | V <sub>CONN</sub> |    |    |    | SBU2             | V <sub>BUS</sub> | RX1- | RX1+ | GND |
| B1  | B2   | B3   | B4               | B5                | B6 | B7 | B8 | B9               | B10              | B11  | B12  |     |

XXB Connectivity

U261-24XN-4BC2SS

- 1:AU 1U"
- 2:AU 3U"
- 5:AU 15U"
- 6:AU 30U"
- W:WHITE
- B:BLACK
- 1:PBT
- 2:PA6T
- 5:PA6T
- 6:LCP

|  |  |  |  |  |                                      |       |             |                           |
|--|--|--|--|--|--------------------------------------|-------|-------------|---------------------------|
|  |  |  |  |  | DSND                                 | DATE  | SCALE: N/A  | MODEL TYPE:<br>3.1 TYPE C |
|  |  |  |  |  | DWN                                  | DATE  | VIEW:       | PART NO.:                 |
|  |  |  |  |  | CHKD                                 | DATE  | UNIT: mm/in | DWG NO.:                  |
|  |  |  |  |  | APPD                                 | DATE  | SIZE: A4    | U261-24XN-4BC2SS          |
| REVISIONS                                      |  |  |  |  | UNSPECIFIED TOLERANCES               |       |             |                           |
| www.xk-dg.cn www.helloxkb.com www.helloxkb.com |  |  |  |  | XKB INDUSTRIAL PRECISION CO.,LIMITED |       |             |                           |
|  |  |  |  |  | WEIGHT                               | SHEET | REVISION    |                           |
|  |  |  |  |  | 1.0g                                 | 1/1   | A0          |                           |