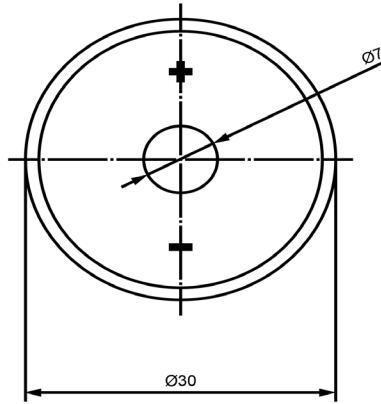
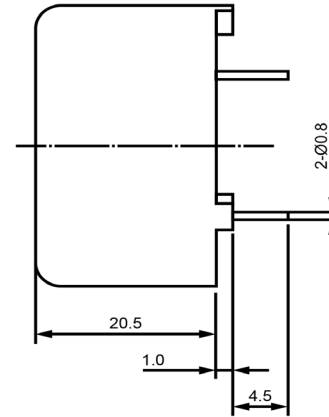

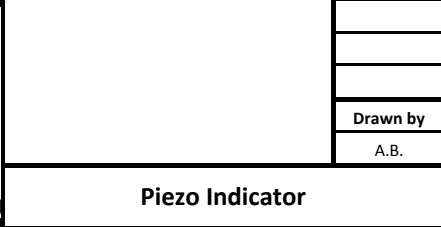


TOP VIEW



SIDE VIEW



Specifications			Notes	Revision History																	
Description	Value	Unit		Version	Description	Date	Approved														
Technology	Piezo		1) All dimensions are in mm unless otherwise noted 2) All parts meet RoHS	1	Released from Engineering	10/21/2013	J.S														
Resonant Frequency	3,500	(Hz)																			
Rated Voltage	9	(V)																			
SPL @ 10cm	100	(dBA)																			
Tone	Single																				
Mount Type	Thru Hole																				
Voltage Range	3 ~ 24	(V)																			
Max Rated Current	20	(mA)																			
Housing Material	PBT																				
Operating Temperature	-30 ~ +70	°C																			
Storage Temperature	-40 ~ 85	°C																			
Weight	8	(g)																			
						<table border="1"> <thead> <tr> <th>Drawn by</th> <th>Date</th> <th>Checked by</th> <th>Date</th> <th>Approved by</th> <th>Date</th> </tr> </thead> <tbody> <tr> <td>A.B.</td> <td>10/21/2013</td> <td>C.E.</td> <td>10/21/2013</td> <td>J.S</td> <td>10/21/2013</td> </tr> </tbody> </table>				Drawn by	Date	Checked by	Date	Approved by	Date	A.B.	10/21/2013	C.E.	10/21/2013	J.S	10/21/2013
						Drawn by	Date	Checked by	Date	Approved by	Date										
A.B.	10/21/2013	C.E.	10/21/2013	J.S	10/21/2013																
IP303509-1																					