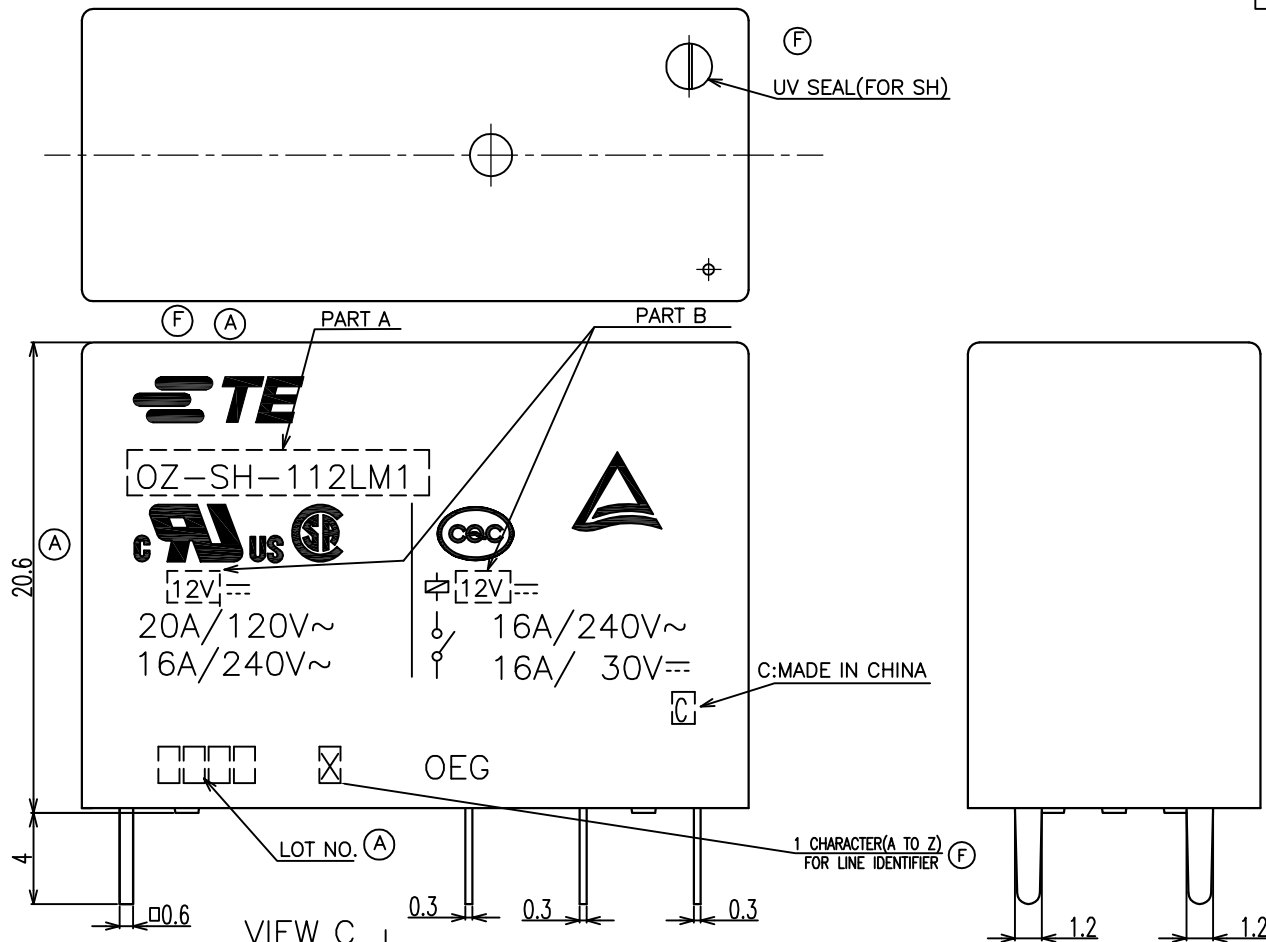
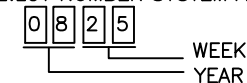


P	LTR	DESCRIPTION	DATE	DWN	APVD
F		1.UPDATE TE LOGO 2.ADD LINE IDENTIFICATION 3.TERMINALS TOLERANCE CLARIFICATION 4.VENT HOLE CHANGE	ECO-12-005726	6-APR-12	D.L BH.Y



- (A) NOTES:  
 1. TERMINAL DIMENSION IS NOT INCLUDING SOLDER TIP.  
 2. LOT NUMBER SYSTEM AS FOLLOWS:



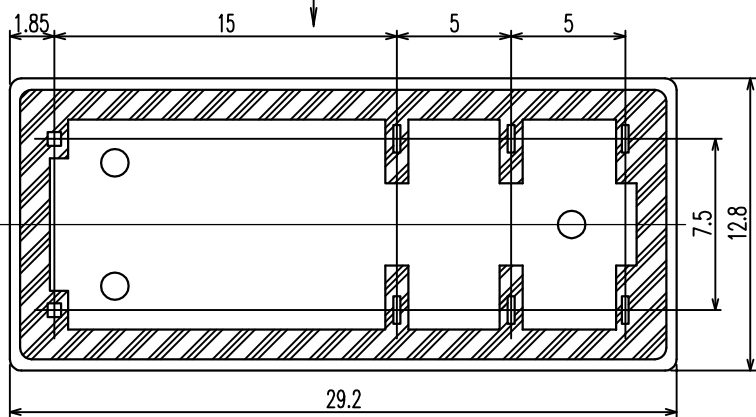
3. GENERAL TOLERANCE AS FOLLOWS:

TOLERANCE	
0~0.99mm	±0.1
1mm~2.99mm	±0.2
3mm MIN.	±0.3

- (F) 4. FOR THE TIN-PLATING OF THE PINS:  
 +0.1mm FOR WIDTH, THICKNESS AND DIAMETER.  
 +0.5mm FOR LENGTH.

VIEW C

"C"



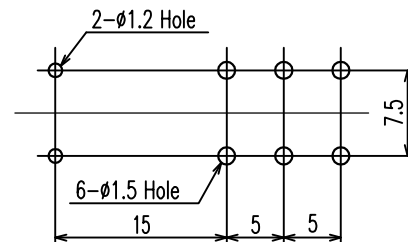
DIMENSIONS: mm 		TOLERANCES UNLESS OTHERWISE SPECIFIED: 0 PLC ± 1 PLC ± 2 PLC ± 3 PLC ± 4 PLC ± ANGLES ±		DWN SHIMING.CHEN CHK WAYNE.PENG APVD FUNAYAMA.NAOYA PRODUCT SPEC - APPLICATION SPEC - WEIGHT -			
MATERIAL -		FINISH -		NAME OZ-T CUSTOMER DRAWING		RESTRICTED TO -	
CUSTOMER DRAWING				SIZE A3 CAGE CODE 00779 DRAWING NO. 1440002-4		SCALE 4:1 SHEET 1 OF 2 REV F	

LOC	HH	DIST	REVISIONS						
			P	LTR	DESCRIPTION	ECN	DATE	DWN	APVD

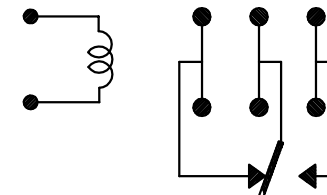
(A1)	1-1440002-1	OZ-SH-124L	24V	OZ-SH-124L
(A1)	1440002-9	OZ-SH-124D	24V	OZ-SH-124D
(A1)	1461252-1	OZ-SH-148L	48V	OZ-SH-148L
(A1)	1440002-6	OZ-SH-112D	12V	OZ-SH-112D
(A1)	1440002-4	OZ-SH-105D	5V	OZ-SH-105D
	1461354-1	OZ-SS-118D	18V	OZ-SS-118D
	3-1440002-1	OZ-SS-148L	48V	OZ-SS-148L
	2-1440002-8	OZ-SS-124L	24V	OZ-SS-124L
	2-1440002-5	OZ-SS-124D	24V	OZ-SS-124D
	2-1440002-3	OZ-SS-112L	12V	OZ-SS-112L
	2-1440002-1	OZ-SS-112D	12V	OZ-SS-112D
	1-1440002-9	OZ-SS-109L	9V	OZ-SS-109L
	1-1440002-8	OZ-SS-109D	9V	OZ-SS-109D
	1-1440002-6	OZ-SS-106L	6V	OZ-SS-106L
	1-1440002-4	OZ-SS-106D	6V	OZ-SS-106D
	1-1440002-3	OZ-SS-105L	5V	OZ-SS-105L
	1-1440002-2	OZ-SS-105D	5V	OZ-SS-105D
	1461717-1	OZ-SH-112L	12V	OZ-SH-112L
	1-1461250-8	OZ-SH-148L	48V	OZ-SH-148L
	1-1461250-6	OZ-SH-148D	48V	OZ-SH-148D
	1-1461250-2	OZ-SH-109L	9V	OZ-SH-109L
	1-1461250-0	OZ-SH-109D	9V	OZ-SH-109D
	0-1461250-8	OZ-SH-106L	6V	OZ-SH-106L
	0-1461250-6	OZ-SH-106D	6V	OZ-SH-106D
	0-1461250-5	OZ-SH-105L	5V	OZ-SH-105L
	0-1461250-3	OZ-SH-105D	5V	OZ-SH-105D
	0-1461250-2	OZ-SH-124L	24V	OZ-SH-124L
	0-1461250-1	OZ-SH-112D	12V	OZ-SH-112D
	0-1440002-7	OZ-SH-112L	12V	OZ-SH-112L
	PART NO	EC TYPE NAME	PART B	PART A

RELAY TYPE

CIRCUIT DIAGRAM(2/1)  
(BOTTOM VIEW)



DRILLING DIAGRAM  
(BOTTOM VIEW)



DWN SHIMING.CHEN			
CHK WAYNE.PENG			
APVD FUNAYAMA.NAOYA		NAME	
PRODUCT SPEC -		OZ-T CUSTOMER DRAWING	
APPLICATION SPEC -			
SIZE A3	CAGE CODE 00779	DRAWING NO 1440002-4	RESTRICTED TO -
MATERIAL -		SCALE 4:1	SHEET 2 OF 2
FINISH -		REV F	
TOLERANCES UNLESS OTHERWISE SPECIFIED:		CUSTOMER DRAWING	
DIMENSIONS: mm			
0 PLC ± 1 PLC ± 2 PLC ± 3 PLC ± 4 PLC ± ANGLES ±			