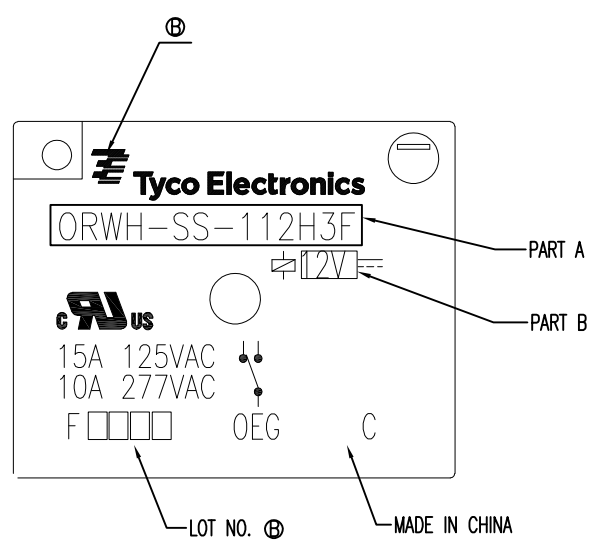
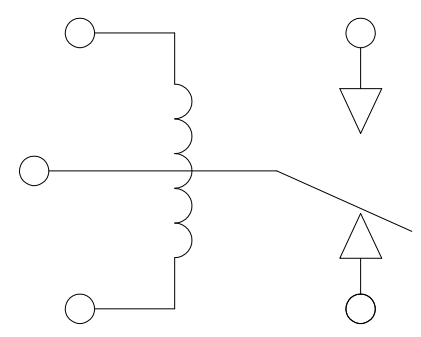


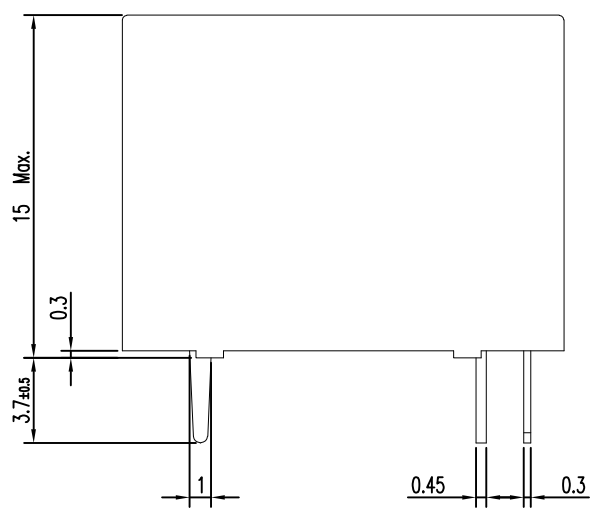
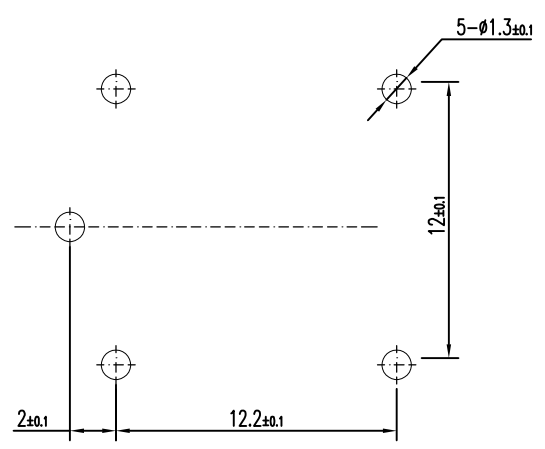
PART NO	EC TYPE NAME	PART B	PART A	ITEM
1721956-1	ORWH-SS-103H3F,000	3V	ORWH-SS-103H3F	A
1721956-2	ORWH-SS-105H3F,000	5V	ORWH-SS-105H3F	B
1721956-3	ORWH-SS-106H3F,000	6V	ORWH-SS-106H3F	C
1721956-4	ORWH-SS-109H3F,000	9V	ORWH-SS-109H3F	D
1721956-5	ORWH-SS-112H3F,000	12V	ORWH-SS-112H3F	E
1721956-6	ORWH-SS-118H3F,000	18V	ORWH-SS-118H3F	F
1721956-7	ORWH-SS-122H3F,000	22V	ORWH-SS-122H3F	G
1721956-8	ORWH-SS-124H3F,000	24V	ORWH-SS-124H3F	H
1721956-9	ORWH-SS-148H3F,000	48V	ORWH-SS-148H3F	I
1-1721956-0	ORWH-SH-103H3F,000	3V	ORWH-SH-103H3F	J
1-1721956-1	ORWH-SH-105H3F,000	5V	ORWH-SH-105H3F	K
1-1721956-2	ORWH-SH-106H3F,000	6V	ORWH-SH-106H3F	L
1-1721956-3	ORWH-SH-109H3F,000	9V	ORWH-SH-109H3F	M
1-1721956-4	ORWH-SH-112H3F,000	12V	ORWH-SH-112H3F	N
1-1721956-5	ORWH-SH-118H3F,000	18V	ORWH-SH-118H3F	O
1-1721956-6	ORWH-SH-122H3F,000	22V	ORWH-SH-122H3F	P
1-1721956-7	ORWH-SH-124H3F,000	24V	ORWH-SH-124H3F	Q
1-1721956-8	ORWH-SH-148H3F,000	48V	ORWH-SH-148H3F	R



CIRCUIT DIAGRAM (BOTTOM VIEW)



DRILLING DIAGRAM (BOTTOM VIEW)



NOTE  
 ①.LOT NO. SYSTEM AS FOLLOWING:

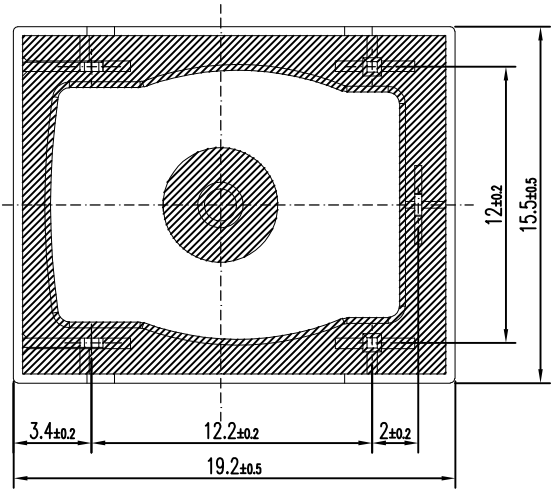
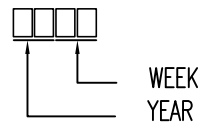


Diagram dimension	Tolerance
0.99mm max.	±0.1mm
1 - 2.99mm	±0.2mm
3mm min.	±0.3mm

INCOMBUSTIBILITY	TREATMENT	MATERIAL	DESCRIPTION	ITEM
		UV RESIN	UV SEAL	14
		EPOXY RESIN	SEAL	13
CLASS 155 F		MW79	MAGNETIC WIRE	12
		HCP	COIL TERMINAL	11
UL94 V-0		PET	BOBBIN	10
UL94 V-0		NYLON	CASE	9
		Ag ALLOY	STATIONARY CONTACT	8
		Ag ALLOY	MOVABLE CONTACT	7
		Cu ALLOY	MOVABLE SPRING	6
		Cu ALLOY	NC TERMINAL	5
		Cu ALLOY	NO TERMINAL	4
		Ni PLATED STEEL	CORE	3
		Cu PLATED STEEL	ARMATURE FORM C	2
		Ni PLATED STEEL	YOKE	1

DWN Fu Bo		TE Connectivity	
CHK XN.ZHANG			
APVD CH.HSU			
PRODUCT SPEC		ORWH-H3F,000 CUSTOMER DRAWING	
APPLICATION SPEC		RESTRICT TO	
MATERIAL SEE MATERIAL TABLE	FINISH	WEIGHT	SIZE A3
CUSTOMER DRAWING		GAGE CODE 00779	DRAWING NO. 1721956
SCALE 3:1		SHEET 1 OF 1	
REV B1			