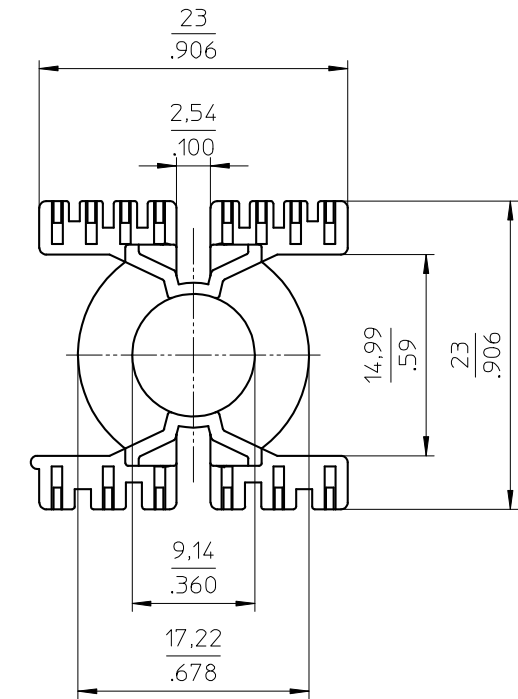
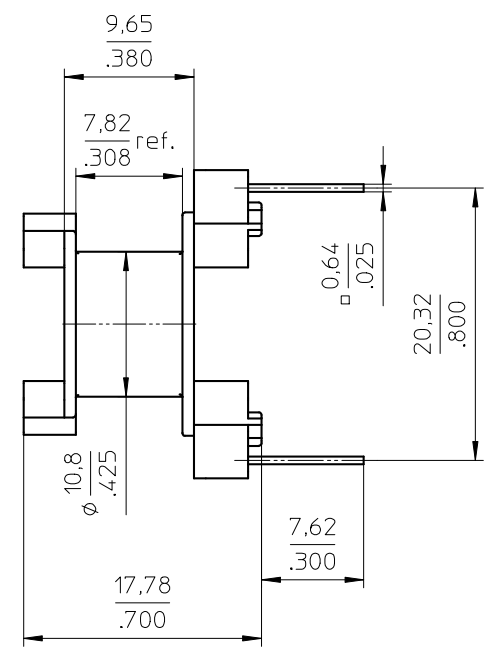
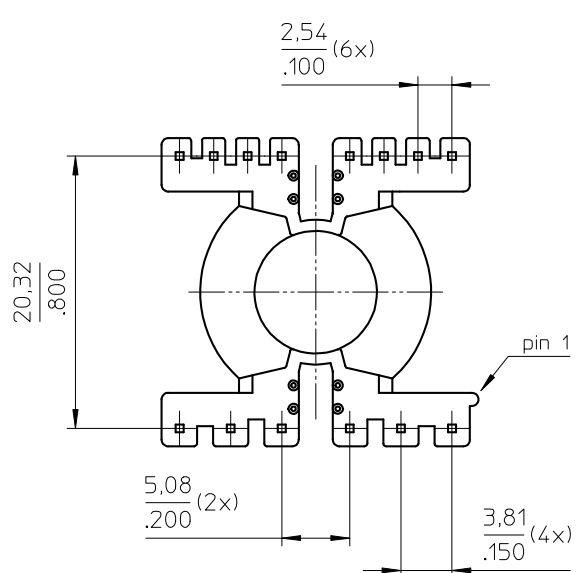
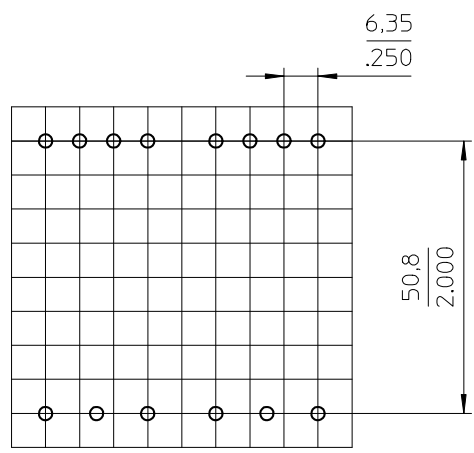




1 2 3 4 5 6 7 8



Grid pattern



Coil former material: Rynite FR530 (PET), glass-reinforced, (color black)
 UL file number: E41938 - UL94V-0.
 max. operating temp: 180°C, class H
 pin material: Copper-plated steel wire, Sn plated.
 solderability: acc. to IEC 60 068-2-20 part2, Test Ta method 1, 235°C-2sec.
 mean length of turn: 1.733 inch
 winding area: 0.04 sq. inch.

CLASSNO.		CPV-PQ20/16-1S-14P-Z		4335 060 26711		02-06-06
NAME NAAM		A.Wojtasz		SUPERS. VERV.		03-01-13
MPA		CHECK CONTR.		DAT.		05-06-05
		01-06-01		Property of Eigenaam van		05-10-26
				SPRSH BL BL		07-09-03
				© FERROXCUBE 2000		A3

1 2 3 4