

MT4750C-UBL

Features

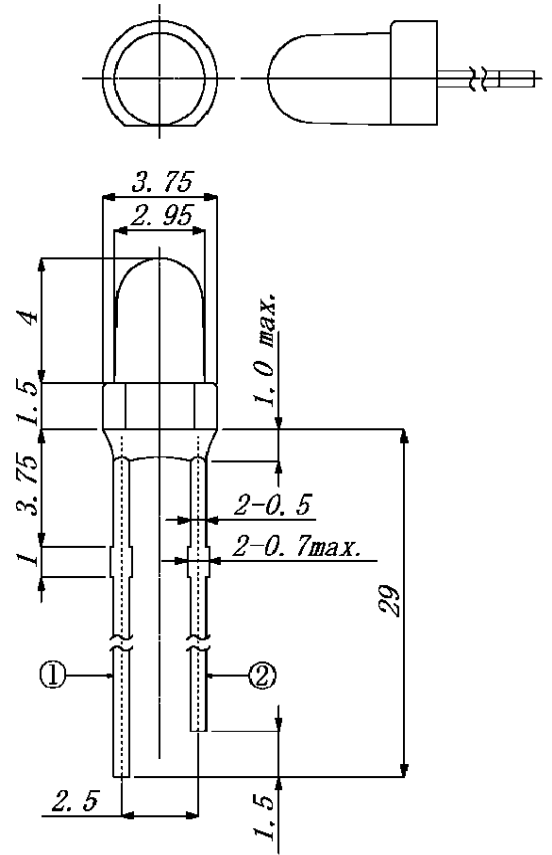
High Power Output
High Reliability

Applications

Optical Sensors
Fiber Optic Communications
Indicator

Maximum Ratings (Ta=25°C)

Characteristic	Symbol	Max.	Test Condition	Unit
Forward Current	I _F	25	–	mA
Pulsed Forward Current	I _{FP}	.10	tw=10μ S, T=10mS	A
Reverse Voltage	V _R	5	–	V
Power Dissipation	P _D	120.00	–	mW
Operating Temperature	T _{opr}	-20 ~ +80	–	°C
Storage Temperature	T _{stg}	-30 ~+100	–	°C
Junction Temperature	T _j	100	–	°C
Soldering Temperature	T _{sol}	260	for 5 sec. max	°C



① Anode

② Cathode

Opto-Electrical Characteristics (Ta=25°C)

Characteristic	Symbol	Test Condition	Min	Typ	Max	Unit
Forward Voltage	V _F	I _F =20mA	–	3.60	4.20	V
Reverse Current	I _R	V _R =5V	–	–	100	μA
Power Output	PO	I _F =20mA	–	6.00	–	mW
Half Intensity Beam Angle	θ	–	–	± 15°	–	deg.
Peak Wavelength	λ _p	I _F =20mA	–	465	–	nm
Dominant Wavelength	λ _d	I _F =20mA	–	470	–	nm
Spectral Line Half Width	Δλ	I _F =20mA	–	28	–	nm
Luminous Intensity	I _v	I _F =20mA	–	750.00	–	mcd

Company Headquarters

3 Northway Lane North
Latham, New York 12110
Toll Free: 800.984.5337
Fax: 518.785.4725

West Coast Sales Office

950 South Coast Drive, Suite 265
Costa Mesa, California 92626
Toll Free: 800.984.5337
Fax: 714.850.9314

MT4750C-UBL Graphs

