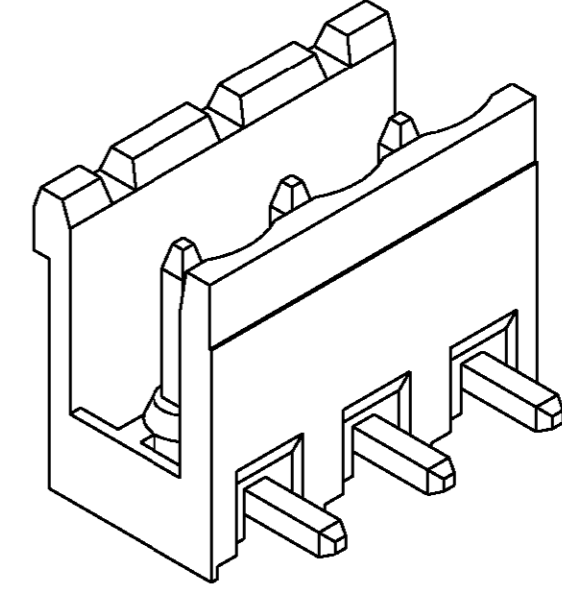
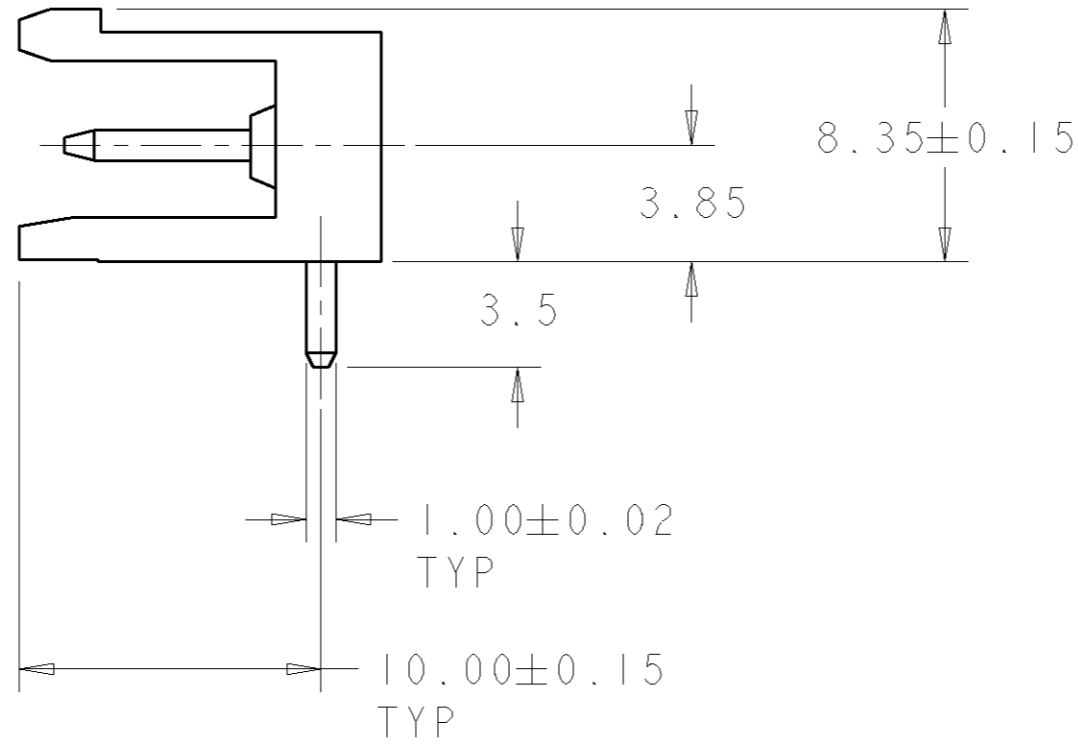
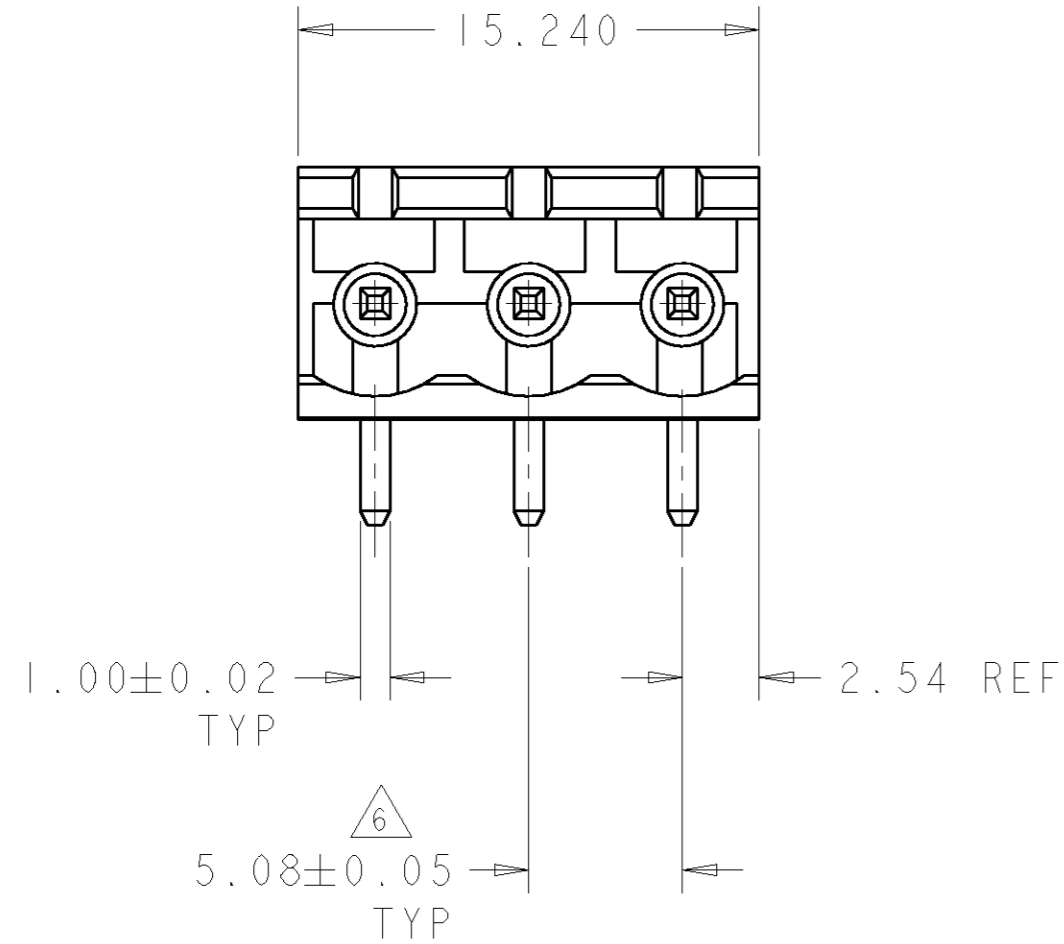
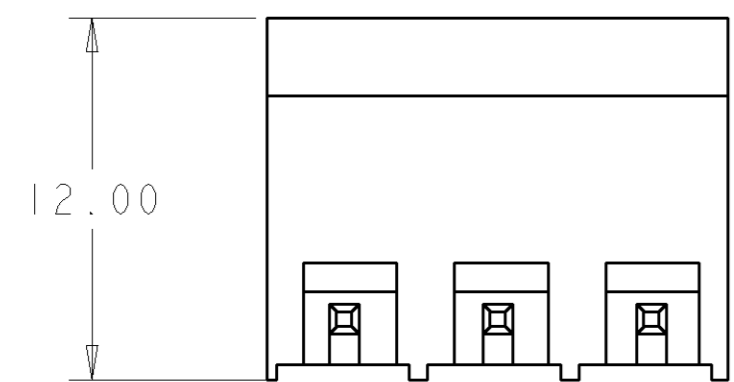


THIS DRAWING IS UNPUBLISHED. RELEASED FOR PUBLICATION 20
 © COPYRIGHT 20 BY TYCO ELECTRONICS CORPORATION. ALL RIGHTS RESERVED.

LOC	DIST	REVISIONS					
FT	0	P	LTR	DESCRIPTION	DATE	DWN	APVD
		A		RELEASED EC 063B-0517-01	11SEP2002	SW	CR

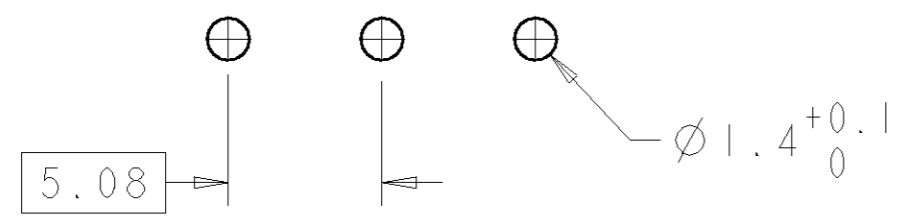


1546110-3 AS SHOWN



- 1. MATERIALS AND FINISH
 HOUSING: PA 6-6, UL 94-V0, COLOR: GRAY.
 TERMINAL: PHOSPHOR BRONZE, TIN PLATED.
- 2. SUITABLE FOR 1,6-2,4mm PC BOARD THICKNESS.
- 3. END-TO-END STACKABLE WITHOUT LOSS OF CENTERLINE SPACING.
- 4. RECOGNIZED UNDER THE COMPONENT PROGRAM OF UNDERWRITERS LABORATORIES INC. FILE N° E60677.
- 5. IMQ CERTIFICATE WITH SURVEILLANCE IN CONFORMITY WITH IEC 998-1/998-2-1.
- 6. NOT CUMULATIVE TOLERANCE.
- 7. BUCHANAN LOGO TO APPEAR ON HOUSING, LOCATION OPTIONAL WHERE SPACE PERMITS.

127.00	25	2-1546110-5
121.92	24	2-1546110-4
116.84	23	2-1546110-3
111.76	22	2-1546110-2
106.68	21	2-1546110-1
101.60	20	2-1546110-0
96.52	19	1-1546110-9
91.44	18	1-1546110-8
86.36	17	1-1546110-7
81.28	16	1-1546110-6
76.20	15	1-1546110-5
71.12	14	1-1546110-4
66.04	13	1-1546110-3
60.96	12	1-1546110-2
55.88	11	1-1546110-1
50.80	10	1-1546110-0
45.72	9	1546110-9
40.64	8	1546110-8
35.56	7	1546110-7
30.48	6	1546110-6
25.40	5	1546110-5
20.32	4	1546110-4
15.24	3	1546110-3
10.16	2	1546110-2
L	NO OF POSN	PART NUMBER



RECOMMENDED PC BOARD LAYOUT

THIS DRAWING IS A CONTROLLED DOCUMENT FOR TYCO ELECTRONICS CORPORATION. IT IS SUBJECT TO CHANGE AND THE CONTROLLING ENGINEERING ORGANIZATION SHOULD BE CONTACTED FOR THE LATEST REVISION.		DWN S. WELDON 11SEP2002	BUCHANAN Tyco Electronics Harrisburg, PA 17105-3608
DIMENSIONS: mm		CHK C. RICHARD 11SEP2002	
TOLERANCES UNLESS OTHERWISE SPECIFIED:		APVD C. RICHARD 11SEP2002	
0 PLC ±- 1 PLC ±.2 2 PLC ±.25 3 PLC ±- 4 PLC ±- ANGLES ±- FINISH		PRODUCT SPEC 108-20166 APPLICATION SPEC 114-20079 WEIGHT -	
MATERIAL	△ -	CUSTOMER DRAWING	NAME TERMINAL BLOCK HEADER ASSEMBLY 90 DEGREE, OPEN ENDS, STACKING 5.08mm PITCH
		SIZE A2	RESTRICTED TO
		CAGE CODE 00779	
		DRAWING NO 1546110	
		SCALE 3:1	SHEET 1 OF 1
			REV A