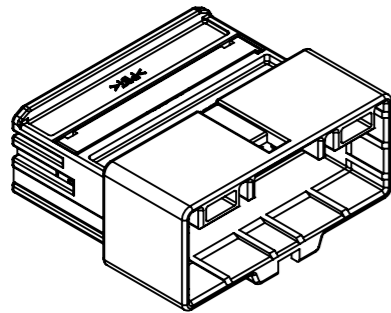
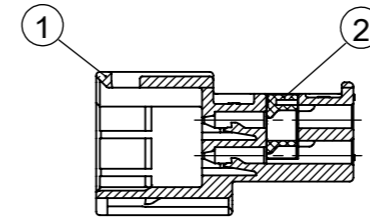
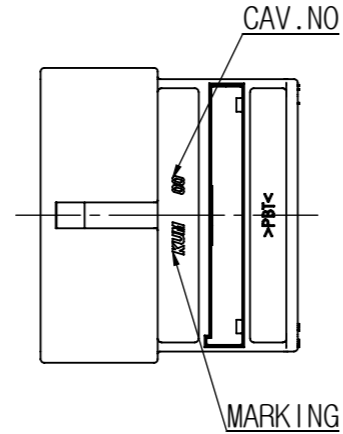


NIC20M-W ASSY



ISO VIEW



SECTION A-A

- NOTE -
1. BEFORE USING, CHECK THE HARMFUL CRACK, BURR, ETC
 2. MARKING & CAV.No. BY AS A GENERAL RULE OF KUM
 3. GENERAL TOLERANCE : SEE BELOW
 4. ASSY PART

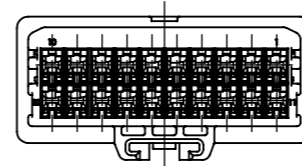
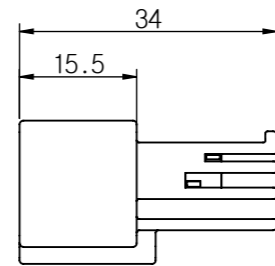
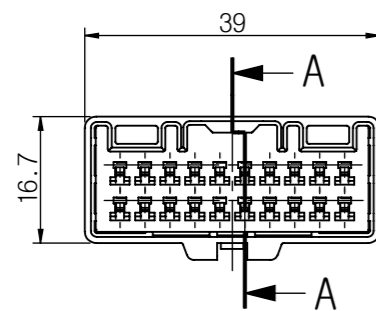
△ 1) TERMINAL

APPLICATION WIRE(SQ)	PART NAME	PART No.
AVSS 0.85~1.25sq	TML NIC-M-M	TK201-00200
AVSS 0.3~0.5sq	TML NIC-M-S	TK201-00100
CHFUS 0.13~0.22sq	TML NIC-M-SS	TK201-00400

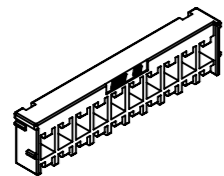
5. ASSY PART NO.

ASSY PART NAME	PART NO.	①	②
NIC20M-W ASSY	HK261-20011	●	●

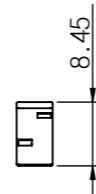
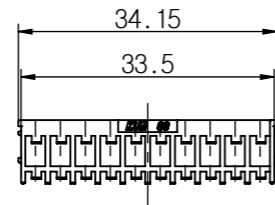
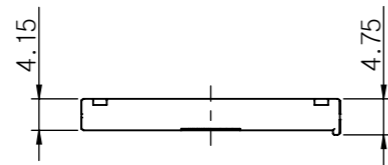
6. THIS PART IS NON-WATERPROOF CONNECTOR



S/H NIC20P-OR



ISO VIEW



GENERAL TOLERANCE							
	10MAX	50MAX	100MAX	150MAX	200MAX	200VR	ANGLE
A	±0.2	±0.3	±0.5	±0.8	±1.0	±1.4	±30'

②	S/H NIC20P-OR	HK270-20100	ORANGE	PBT
①	NIC20M-W	HK261-20010	WHITE	PBT
NO.	PART NAME	PART No.	COLOR	MATERIAL
	THIRD ANGLE PROJECTION	A	-	JJC
	TOLERANCE	SCALE	DESIGN	DRAWN
			CHECKED	APPROVED

CJW	11.03.08	E011-0027	△ A	ADD Applicable Wire	JJC
CJW	10.11.26	-	△ -	RELEASED	JJC
APVD	DATE	NOTE No.	SYM	ALTERATION	DWN

DRAWING NAME	NIC20M-W ASSY
DRAWING No.	HK261-20011-C01A

KUM 케이유엠