

4

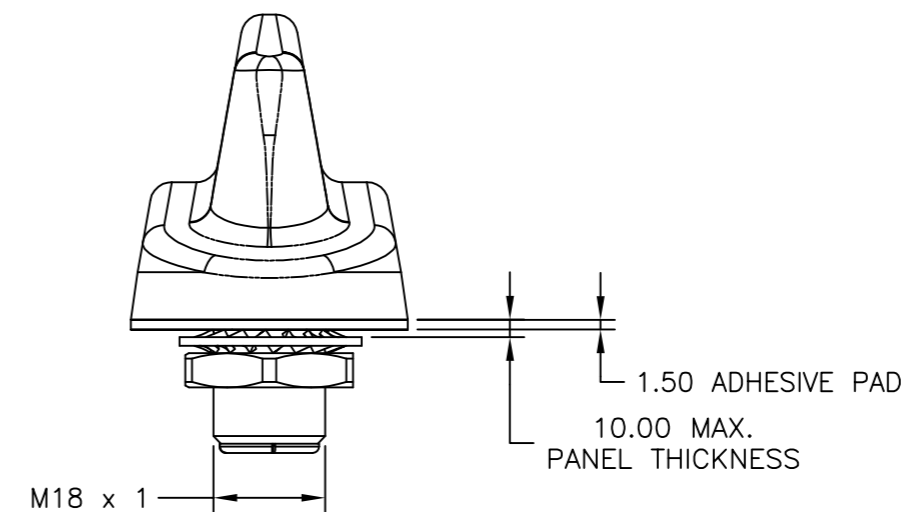
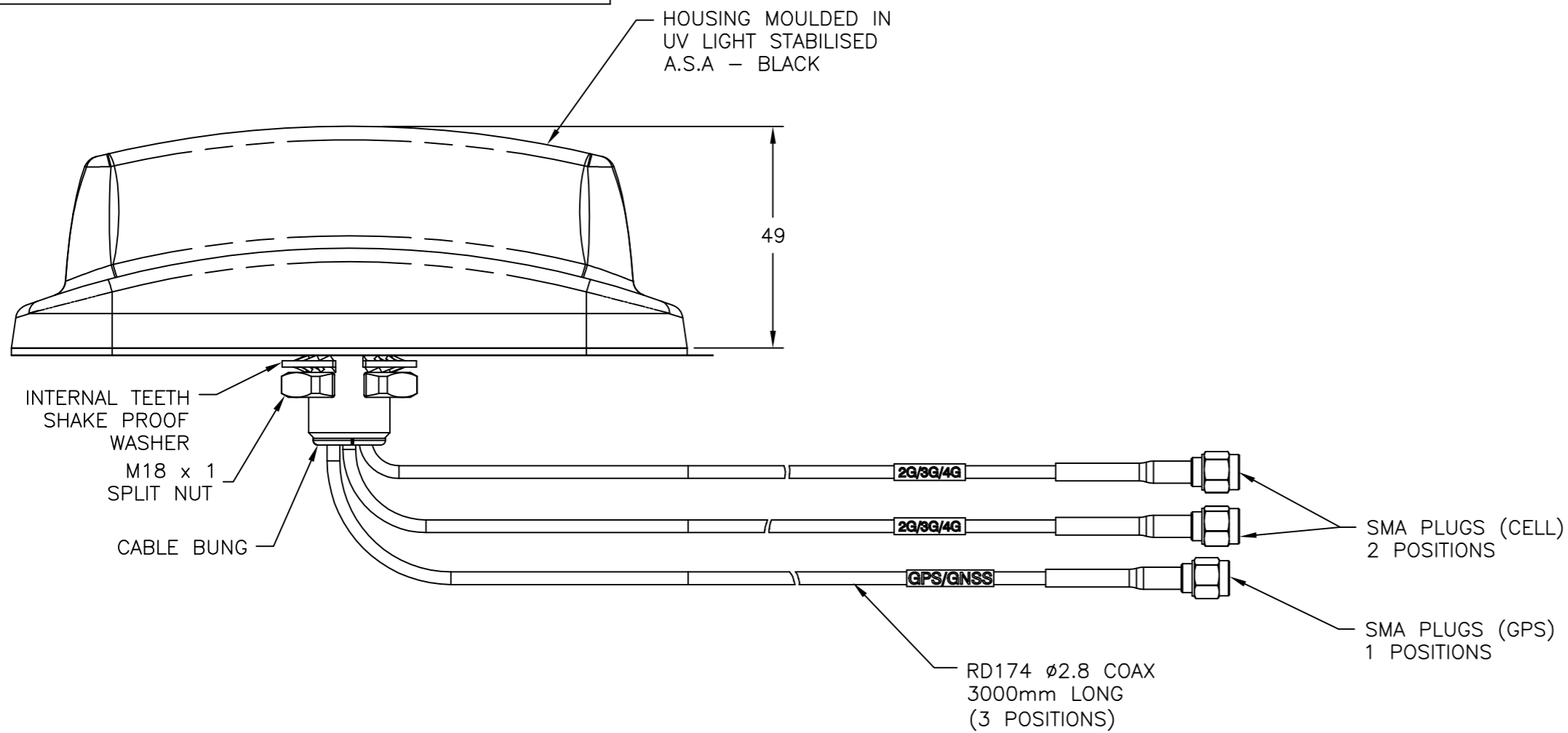
3

2

1

THIS DRAWING IS UNPUBLISHED.		RELEASED FOR PUBLICATION	
© COPYRIGHT - By -		ALL RIGHTS RESERVED.	
PROJECT	PRJ-16-000905033		
PART NO.	1-2309646-1		
HV DESC	LOW PROF MIMO 2/3/4G+GPS/GNSS 3m SMAP		
CUSTOMER	GENERAL MARKET		

REVISIONS				
P	LTR	DESCRIPTION	DATE	APVD
	A	NEW RELEASE	26AUG2016	KK GG



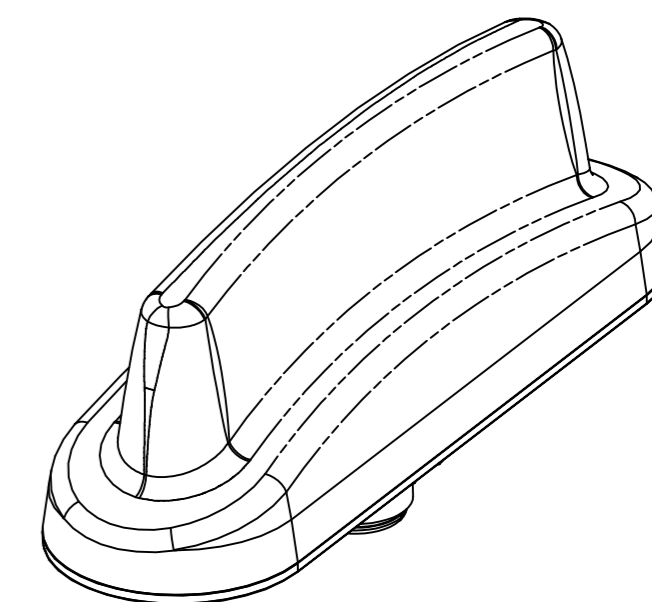
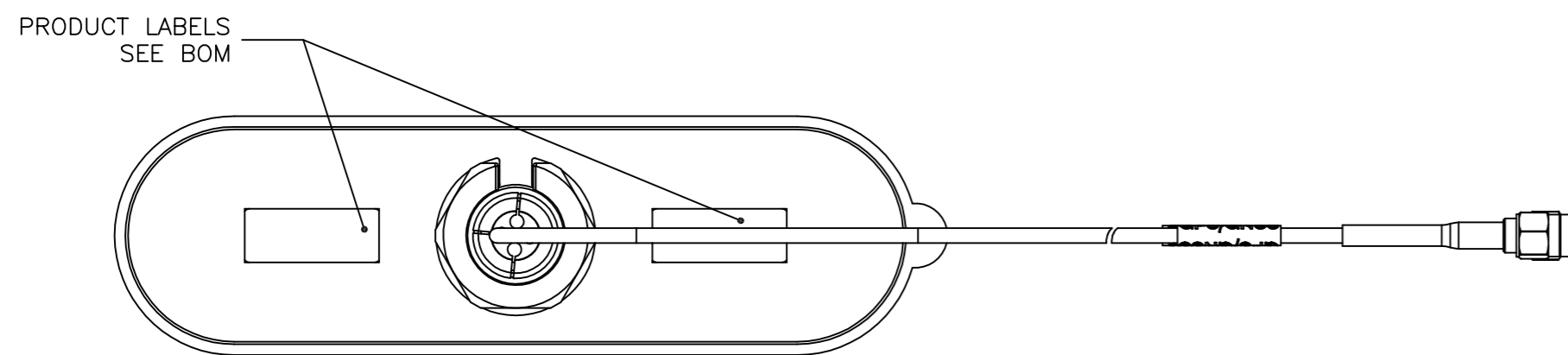
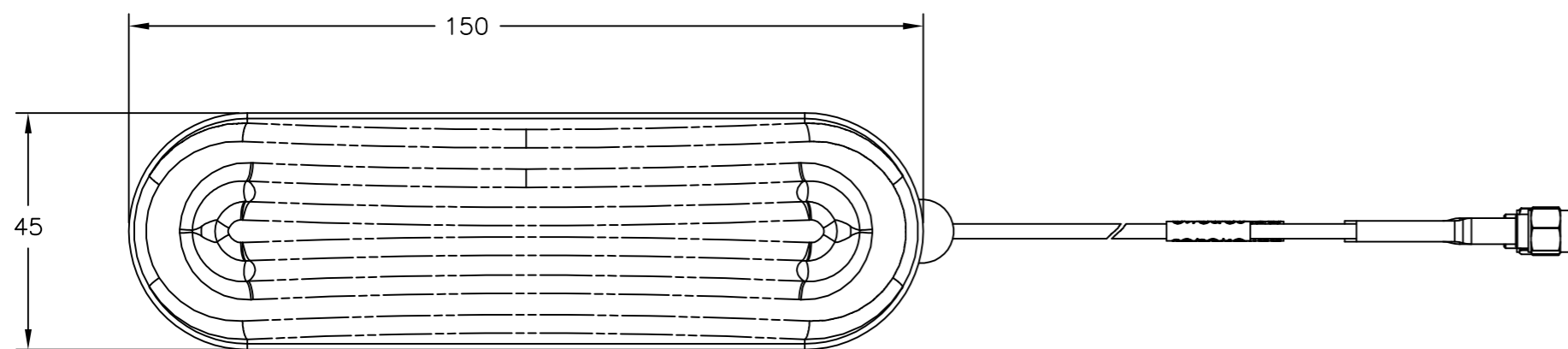
NOTES:

1. ALL MATERIALS SUPPLIED MUST BE RoHS2 (DIRECTIVE 2011/65/EU) COMPLIANT AND MUST NOT CONTAIN ANY SUBSTANCES OF VERY HIGH CONCERN (SVHCs) LISTED UNDER REACH OR POLY-AROMATIC HYDROCARBONS (PAHs), OR PERSISTENT ORGANIC POLLUTANTS (POPs) CONTROLLED BY THE STOCKHOLM CONVENTION.

2. WEIGHT 337.18g.

OPERATING FREQUENCIES:

698 - 960 / 1710 - 2700 MHz x2
1562 - 1612 MHz 26dB LNA



ISO VIEW

1-2309646-1	LOW PROF MIMO 2/3/4G +GPS/GNSS 3m SMAP	BLACK COLOR
TE PN'S	DESCRIPTION	REMARKS
TE TE Connectivity		
NAME		RESTRICTED TO
LOW PROF MIMO 2/3/4G +GPS/GNSS 3m SMAP		-
SIZE	CAGE CODE	DRAWING NO
A2	00779	G=2309646
CUSTOMER DRAWING		SCALE NTS SHEET 1 of 1 REV A

THIS DRAWING IS A CONTROLLED DOCUMENT.	
DIMENSIONS:	TOLERANCES UNLESS OTHERWISE SPECIFIED:
mm	
	0 PLC ± 0.5
	1 PLC ± 0.1
	2 PLC ± 0.2
	3 PLC ± -
	4 PLC ± -
	ANGLES ± 1°
MATERIAL	FINISH
-	-