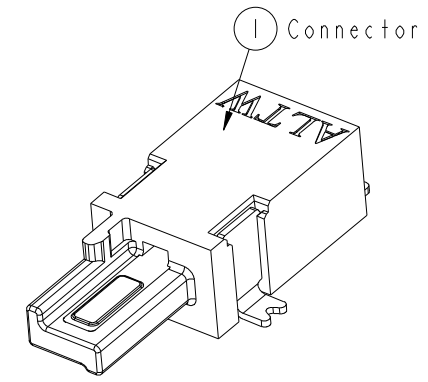
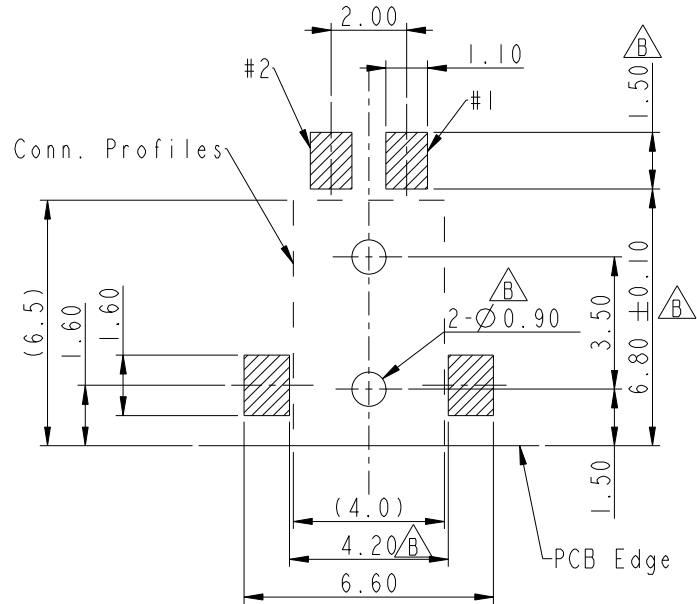
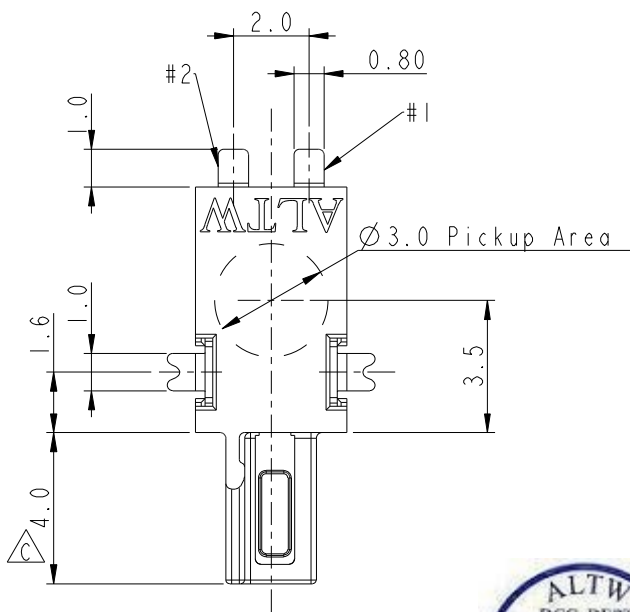
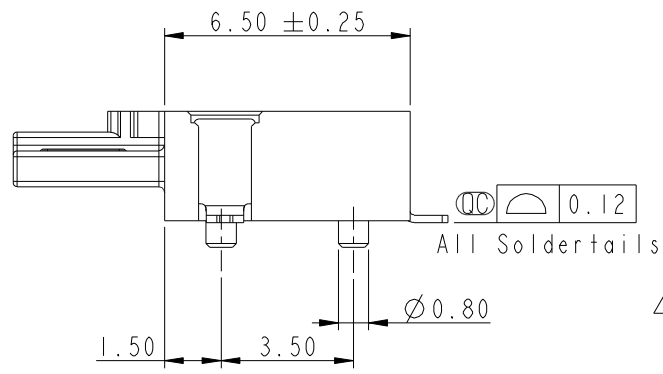
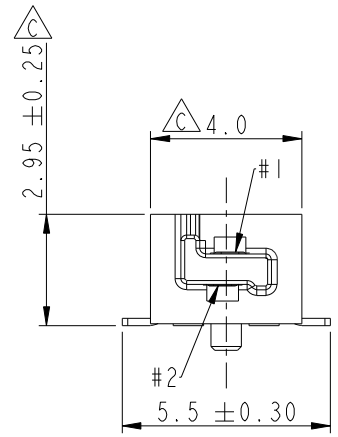
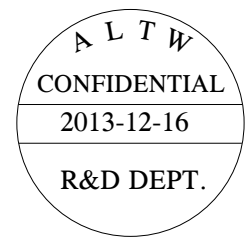


THIS DOCUMENT IS SUBJECT TO CHANGE WITHOUT NOTICE. IT IS CONFIDENTIAL AND A PROPERTY OF Amphenol LTW. DISCLOSURE TO THIRD PARTY HAS TO BE AUTHORIZED BY Amphenol LTW.

REV.	ECN NO.	DATE	SIGN	DESCRIPTION
A		2012-12-06	Fisher	Initial Release
B	LEN1310198	2013-02-20	Fisher	Change Plating and PCB Layout
C	LE313C0098	2013-12-16	Fisher	Change Plating and Package



RECOMMENDED P.C.B. LAYOUT
GENERAL TOLERANCE IS ±0.05



All Soldertails

- Notes:
- * Important Dimension To Check.
 - * Housing: High temperature thermoplastic. UL94V-0, color is Natural white.
 - * Terminal: Copper Alloy, Gold Plated on contact area. Tin plated on solder tails.
 - * Solder Peg: Copper Alloy, Tin plated over Nickel.

UNIT: mm		
TOLERANCE		
.X	±0.25	
.XX	±0.1	
.XXX	±0.05	
ANGLES	±1°	

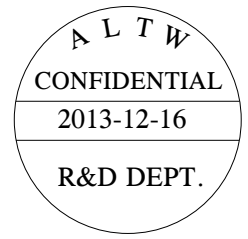
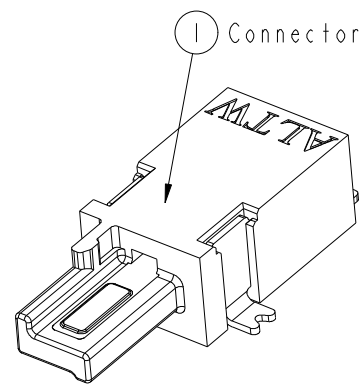
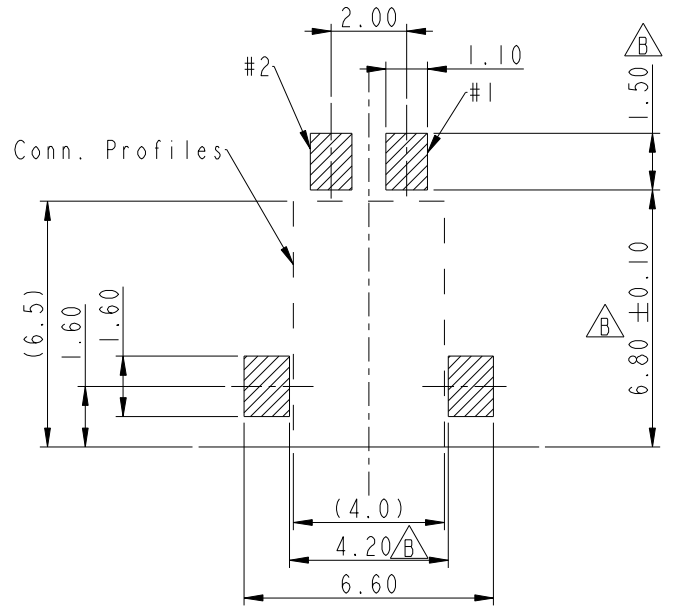
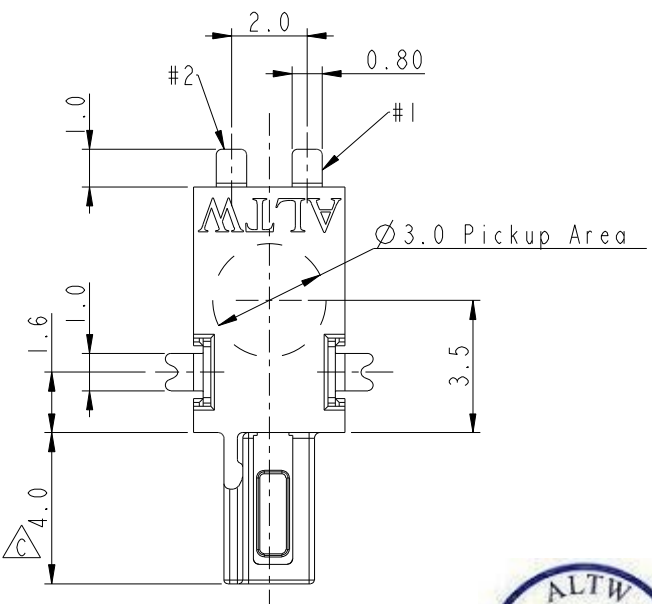
TITLE SSL-1.1 DC PLUG CONNECTOR 2-POS. WITH POST, SMT TYPE			
SCALE	SIZE	SHEET	OF
5:1	A4	1	2
REV.	WC-REV.	QC: Inspection item	
C	C.3		

Amphenol LTW
安費諾亮泰企業股份有限公司

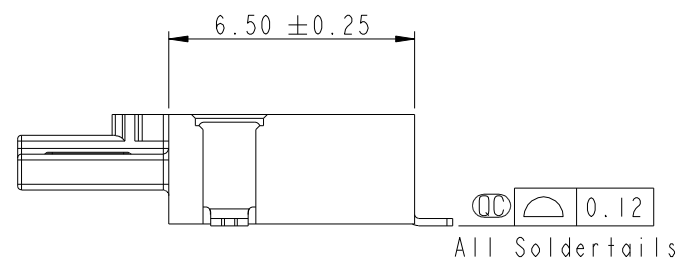
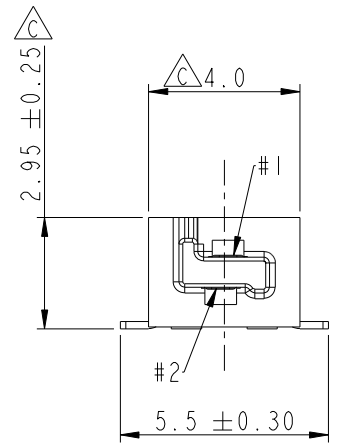
ITEM NO	DRAWN BY	DATE
SSL11-P2C00-000001	Fisher_Wang	2013-12-16
DWG NO	CHECKED BY	DATE
SSL11-P2C00-000001	Ivan_Lin	2013-12-16
CUSTOMER	APPROVED BY	DATE
ALTW	Kevin_Hu	2013-12-16

THIS DOCUMENT IS SUBJECT TO CHANGE WITHOUT NOTICE. IT IS CONFIDENTIAL AND A PROPERTY OF Amphenol LTW. DISCLOSURE TO THIRD PARTY HAS TO BE AUTHORIZED BY Amphenol LTW.

REV.	ECN NO.	DATE	SIGN	DESCRIPTION
A	Initial Release	2012-12-06	Fisher	Initial Release
B	LEN1310199	2013-02-20	Fisher	Change Plating and PCB Layout
C	LE313C0099	2013-12-16	Fisher	Change Plating and Dimensions



RECOMMENDED P.C.B. LAYOUT
GENERAL TOLERANCE IS ±0.05



- Notes:
- * Important Dimension To Check.
 - * Housing: High temperature thermoplastic. UL94V-0, color is Natural white.
 - * Terminal: Copper Alloy, Gold Plated on contact area. Tin plated on solder tails.
 - * Solder Peg: Copper Alloy, Tin plated over Nickel.

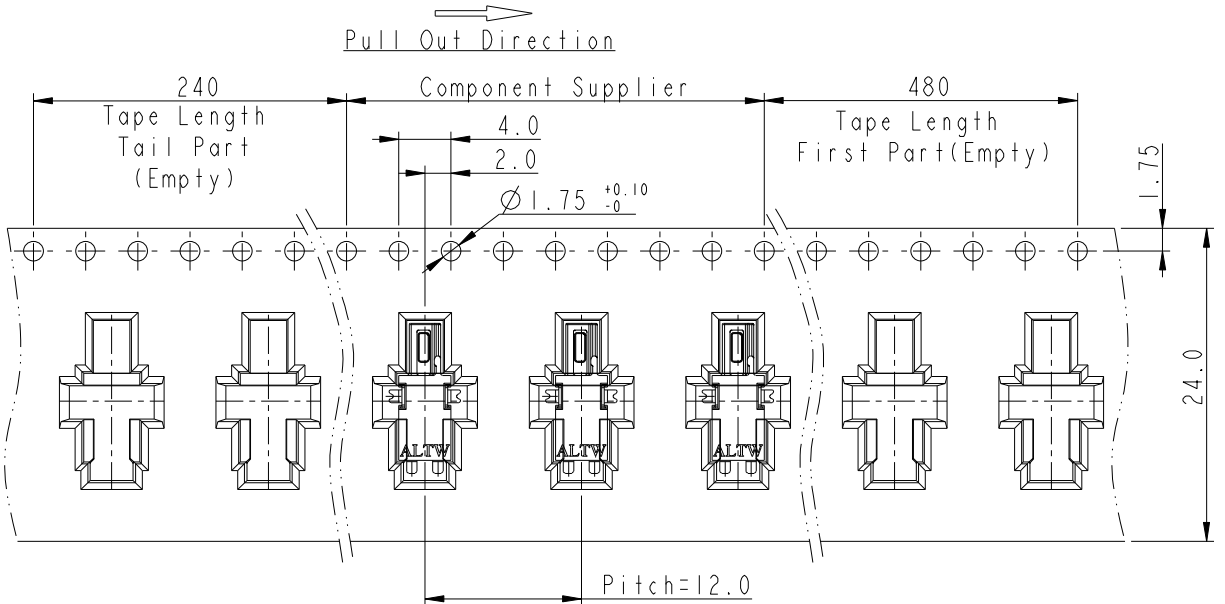
UNIT: mm	
TOLERANCE	
.X	±0.25
.XX	±0.1
.XXX	±0.05
ANGLES	±1°

TITLE SSL-1.1 DCPLUG CONNECTOR 2-POS. W/O POST, SMT TYPE			
SCALE	SIZE	SHEET	OF
5:1	A4	1	2
REV.	WC-REV.	Inspection item	
C	C.2		

Amphenol LTW
安費諾亮泰企業股份有限公司

ITEM NO	SSLI1-P2D00-000001	DRAWN BY	Fisher_Wang	DATE	2013-12-16
DWG NO	SSLI1-P2D00-000001	CHECKED BY	Ivan_Lin	DATE	2013-12-16
CUSTOMER	ALTW	APPROVED BY	Kevin_Hu	DATE	2013-12-16

THIS DOCUMENT IS SUBJECT TO CHANGE WITHOUT NOTICE. IT IS CONFIDENTIAL AND A PROPERTY OF Amphenol LTW. DISCLOSURE TO THIRD PARTY HAS TO BE AUTHORIZED BY Amphenol LTW.

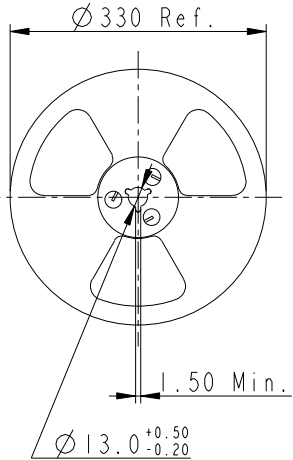


MATERIALS

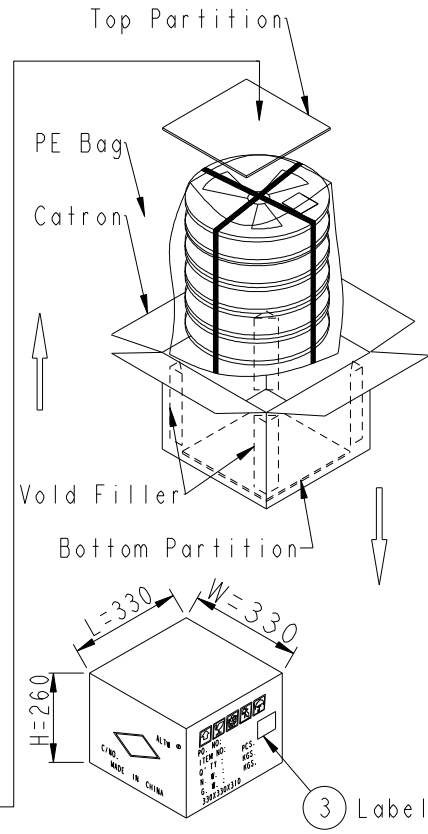
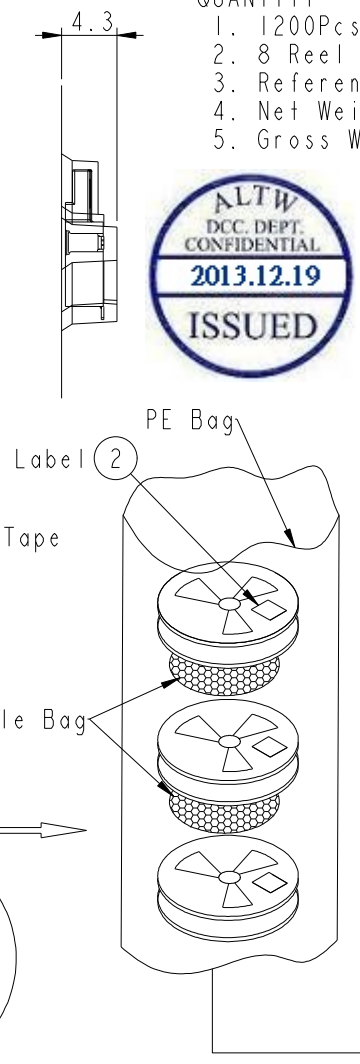
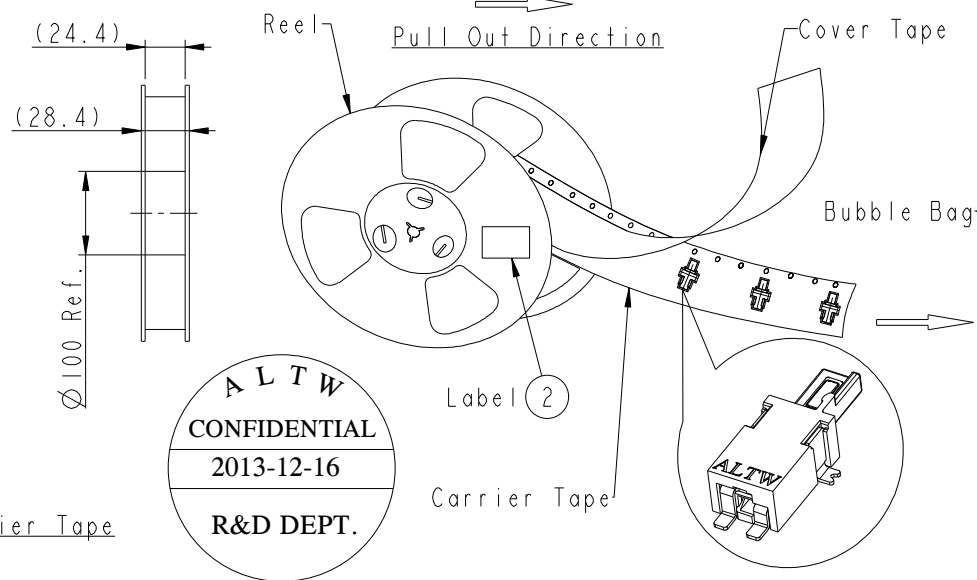
- 1. Carrier Tape: Polystyren (PS)
- 2. Cover Tape: Polystyren (PS)
- 3. Reel: Polystyren (PS)

QUANTITY

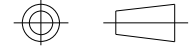
- 1. 1200Pcs Per Reel
- 2. 8 Reel Per Carton (9600Pcs/Carton)
- 3. Reference Standard: EIA-481-D
- 4. Net Weight: 1.7Kg/Carton.
- 5. Gross Weight: 6.9Kg/Carton.



Reel For Carrier Tape



UNIT:mm



TITLE SSL-1.1 DC PLUG CONNECTOR 2-POS. W/O POST, SMT TYPE			
SCALE 5:1	SIZE A4	SHEET 2 OF 2	
REV. C	WC-REV. A.7	QC: Inspection item	

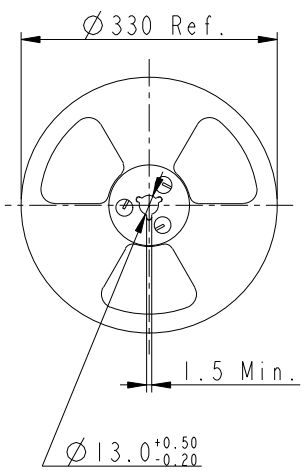
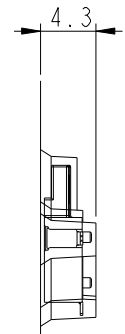
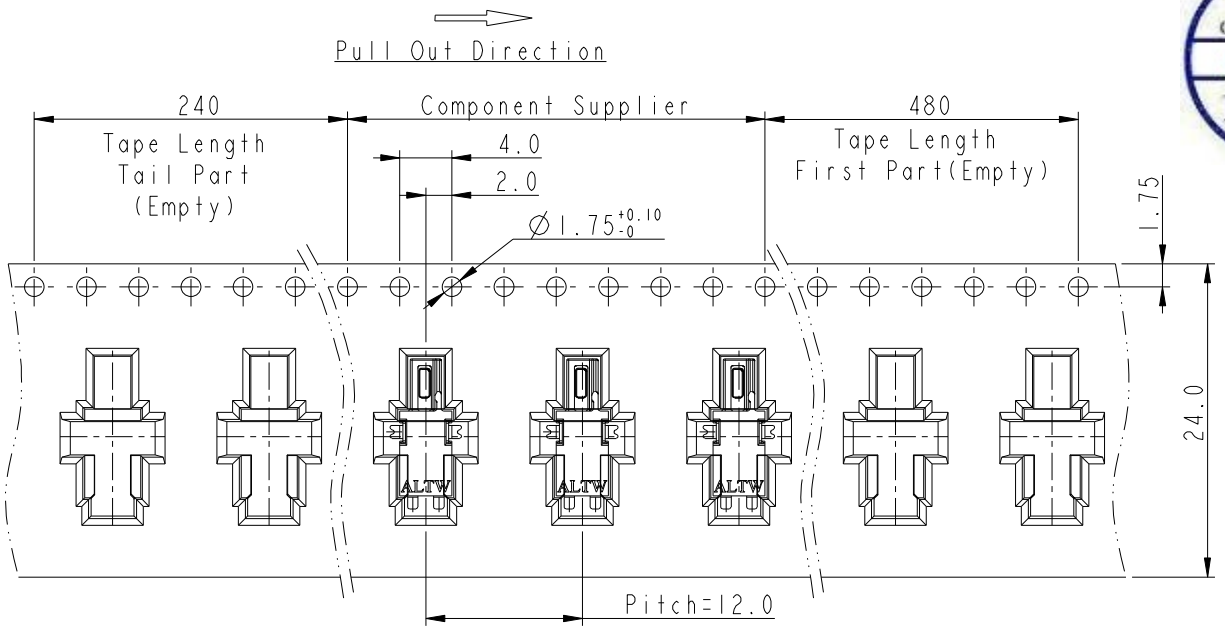
Amphenol LTW
安費諾亮泰企業股份有限公司

ITEM NO SSL11-P2D00-000001	DRAWN BY Fisher_Wang	DATE 2013-12-16
DWG NO SSL11-P2D00-000001	CHECKED BY Ivan_Lin	DATE 2013-12-16
CUSTOMER ALTW	APPROVED BY Kevin_Hu	DATE 2013-12-16

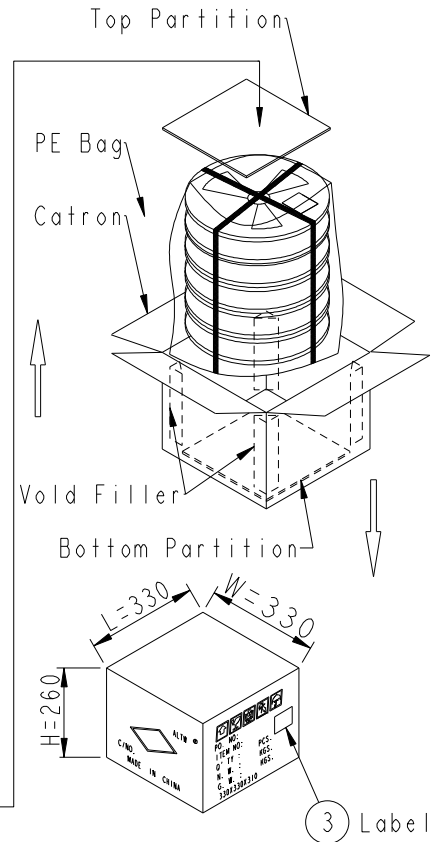
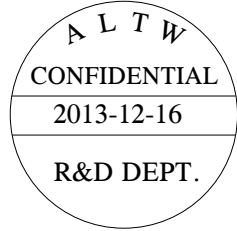
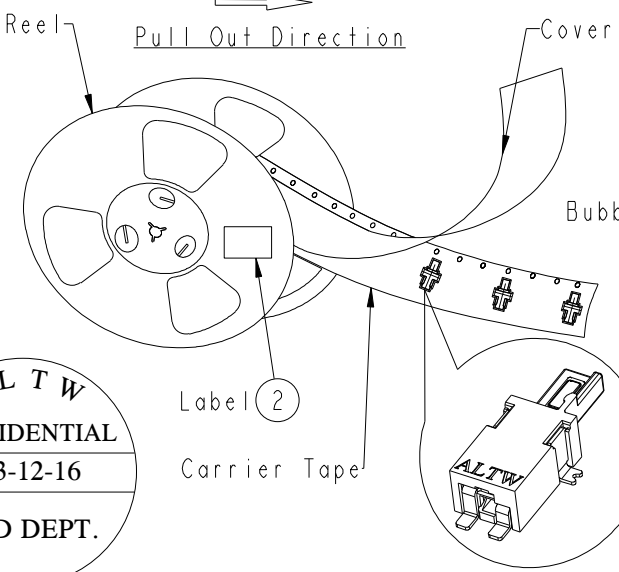
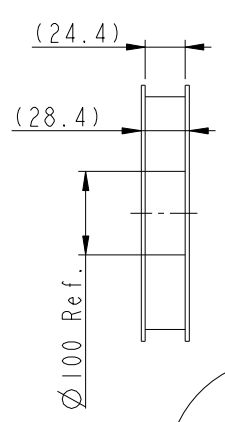
A



- MATERIALS**
- Carrier Tape: Polystyren (PS)
 - Cover Tape: Polystyren (PS)
 - Reel: Polystyren (PS)
- QUANTITY**
- 1200Pcs Per Reel
 - 8 Reel Per Carton (9600Pcs/Carton)
 - Reference Standard: EIA-481-D
 - Net Weight: 1.7Kg/Carton.
 - Gross Weight: 6.9Kg/Carton.

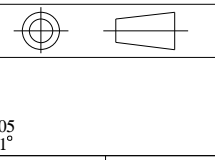


Reel For Carrier Tape



UNIT:mm

TOLERANCE	
.X	±0.25
.XX	±0.1
.XXX	±0.05
ANGLES	±1°



TITLE SSL-1.1 DC PLUG CONNECTOR 2-POS. WITH POST, SMT TYPE			
SCALE	5:1	SIZE	A4
REV.	C	WC-REV.	A.7
		SHEET	2 OF 2
QC: Inspection item			

Amphenol LTW
安費諾亮泰企業股份有限公司

ITEM NO	SSL11-P2C00-000001
DWG NO	SSL11-P2C00-000001
CUSTOMER	ALTW

DRAWN BY	Fisher_Wang
CHECKED BY	Ivan_Lin
APPROVED BY	Kevin_Hu

DATE	2013-12-16
DATE	2013-12-16
DATE	2013-12-16

THIS DOCUMENT IS SUBJECT TO CHANGE WITHOUT NOTICE. IT IS CONFIDENTIAL AND A PROPERTY OF Amphenol LTW. DISCLOSURE TO THIRD PARTY HAS TO BE AUTHORIZED BY Amphenol LTW.