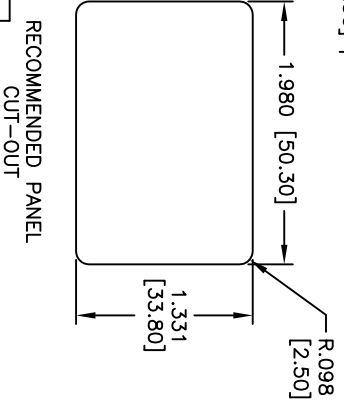
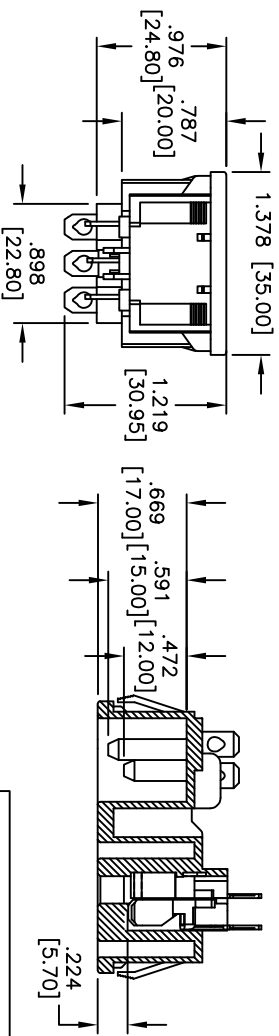
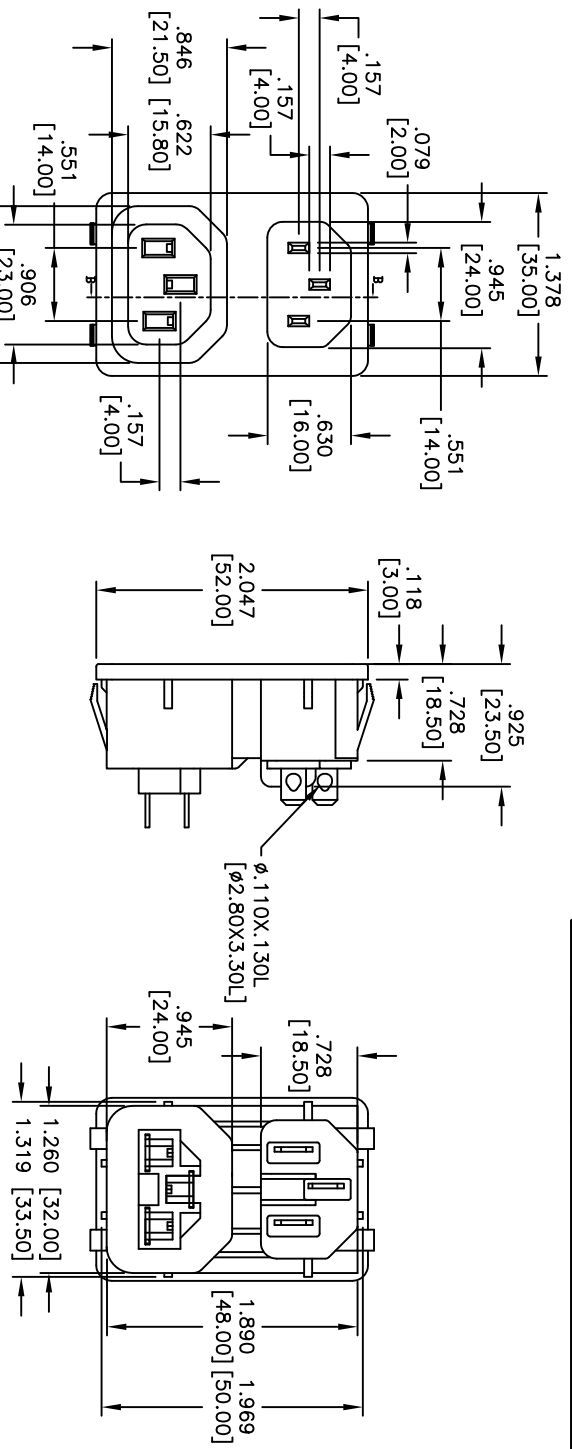


APPROVED: \_\_\_\_\_  
 DATE: \_\_\_\_\_ TITLE: \_\_\_\_\_

Rev	AWO #	Description	Date	Appr
-		RELEASED	6/17/05	
A		REDRAWN	9/19/11	



TERMINAL OPTIONS	
-1	.187 Q.C.
-2	.250 Q.C.
-3	.157 Solder

**SPECIFICATIONS:**  
 Material: Insulator: Nylon 66, glass reinforced, rated UL 94V-0  
 Insulator color: Black  
 Contacts: Brass  
 Soldering: Brass, Tin Plated  
 Plating: Tin over Copper underplate overall  
 Electrical: Operating voltage: 250 VAC  
 Current rating: UL: 15 Amps max  
 VDE: 10 Amps max  
 Insulation resistance: 100 Mohms min @ 500 VDC  
 Dielectric withstanding voltage: 2,000 VAC for 1 minute  
 Temperature Rating: Operating temperature: -25°C to +70°C  
 Environmental: Lead free, RoHS compliant  
 Recommended soldering temp: 235°C for 5 seconds

UNLESS OTHERWISE SPECIFIED  
 ALL DIMENSIONS ARE IN INCHES [MM]  
 TOLERANCES: EXCEPT AS NOTED  
 INCHES: .X ± .10  
 .XX ± .020  
 .XXX ± .015  
 APPROVALS: \_\_\_\_\_ DATE: \_\_\_\_\_

**ADAM TECH**  
 909 Railway Avenue, Union, NJ 07083  
 Phone: 908-687-5000 Fax: 908-687-5710

SIZE	PART NO.	REV.
X	IEC-HS-X	A

REF: S00037T SCALE: NTS SHEET 1 OF 1

INSULATION RESISTANCE: 100 MOHMS MIN @ 500 VDC  
 DIELECTRIC WITHSTANDING VOLTAGE: 2,000 VAC FOR 1 MINUTE  
 OPERATING TEMPERATURE: -25°C TO +70°C  
 ENVIRONMENTAL: LEAD FREE, ROHS COMPLIANT  
 RECOMMENDED SOLDERING TEMP: 235°C FOR 5 SECONDS