

PLEASE CHECK WWW.MOLEX.COM FOR LATEST PART INFORMATION

Part Number: [0513460400](#)
Status: **Active**
Description: 3.30mm (.130") Pitch Wire-to-Wire Plug Housing, Positive Lock, Single Row, 4 Circuits, White

Documents:

[Drawing \(PDF\)](#) [RoHS Certificate of Compliance \(PDF\)](#)

General

Product Family	Crimp Housings
Series	51346
Product Name	N/A

Physical

Circuits (maximum)	4
Color - Resin	Natural
Gender	Male
Glow-Wire Compliant	No
Lock to Mating Part	Yes
Material - Resin	Nylon
Number of Rows	1
Packaging Type	Bag
Panel Mount	No
Pitch - Mating Interface (in)	0.130 In
Pitch - Mating Interface (mm)	3.30 mm
Polarized to Mating Part	Yes
Stackable	No
Temperature Range - Operating	-25°C to +85°C

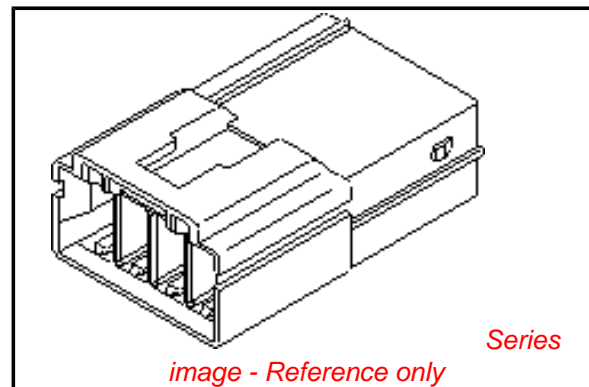
Electrical

Current - Maximum per Contact	4A
-------------------------------	----

Material Info

Reference - Drawing Numbers

Sales Drawing	SD-51346-001
---------------	--------------



EU RoHS

ELV and RoHS Compliant
REACH SVHC
Contains SVHC: No
Halogen-Free
Status
Not Reviewed

China RoHS



Need more information on product environmental compliance?

Email productcompliance@molex.com
 For a multiple part number RoHS Certificate of Compliance, [click here](#)

Please visit the [Contact Us](#) section for any non-product compliance questions.

Search Parts in this Series

[51346Series](#)

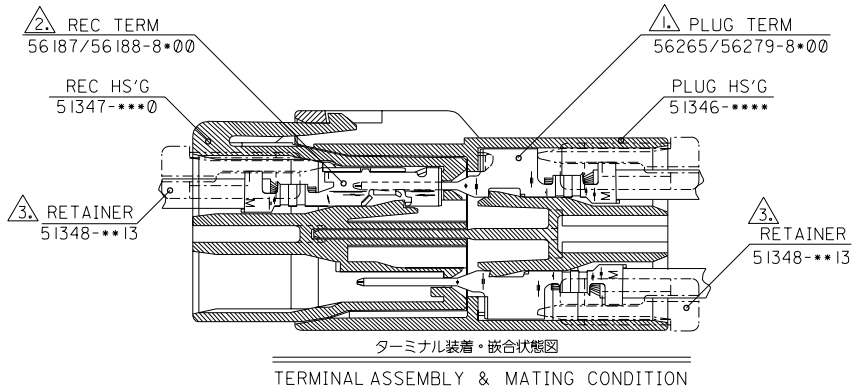
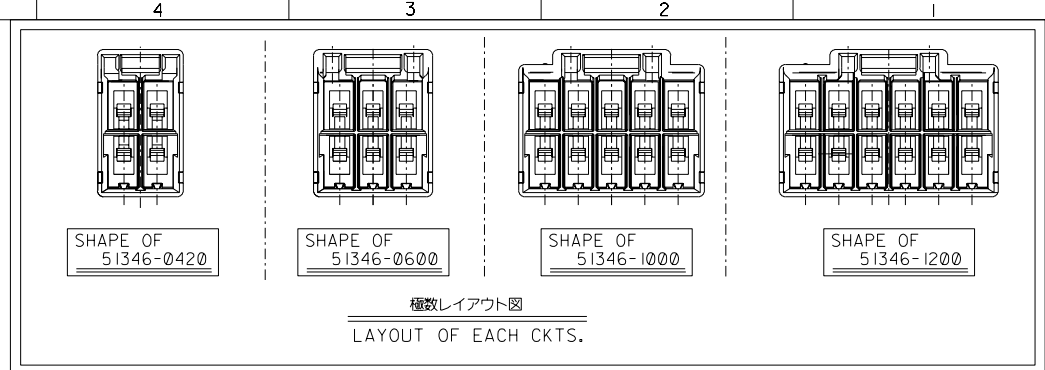
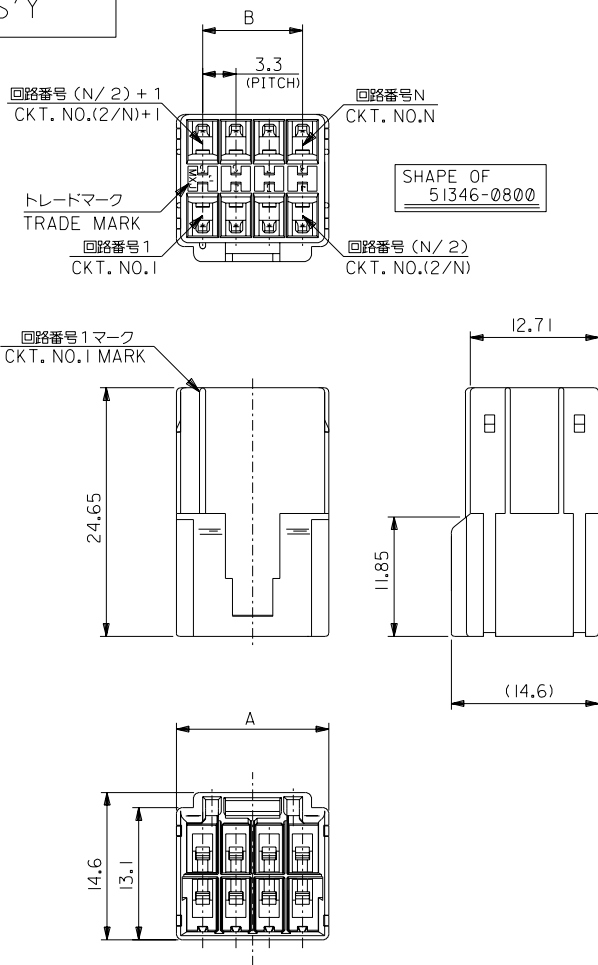
Mates With

[51347-0400](#)

Use With

[51348](#) , [56265](#)

本図は2列品を示す
DUAL ROW ASS'Y



- 注記 NOTES
- 1. 適合ターミナル : 56265/56279シリーズ
APPLICABLE TERMINAL : 56265/56279 SERIES
 - 2. 適合ターミナル : 56187/56188シリーズ
APPLICABLE TERMINAL : 56187/56188 SERIES
 - 3. 適合リテーナー : 51348-***1* シリーズ
APPLICABLE RETAINER : 51348-***1* SERIES
 - 4. 材料 MATERIAL : NYLON66, UL94V-0

51347-1200	51348-0613	NATURAL	16.5	21.7	12	51346-1200	
-1000	-0513		13.2	18.4	10	-1000	51346-****
-0800	-0413		9.9	15.1	8	-0800	
-0600	-0313		6.6	11.8	6	-0600	
51347-0420	51348-0213	NATURAL	3.3	8.5	4	51346-0420	
MATE WITH	CONFORMABLE-RETAINER	COLOR	B	A	CKT.	MATERIAL NO.	MODEL NO.

DO NOT SCALE DRAWING

回路番号 DRAWN: CH'K: APPR: 回路番号 DRAWN: CH'K: APPR: 回路番号 DRAWN: CH'K: APPR: 回路番号 DRAWN: CH'K: APPR:	回路番号 DRAWN: CH'K: APPR: 回路番号 DRAWN: CH'K: APPR: 回路番号 DRAWN: CH'K: APPR:	回路番号 DRAWN: CH'K: APPR: 回路番号 DRAWN: CH'K: APPR: 回路番号 DRAWN: CH'K: APPR:	回路番号 DRAWN: CH'K: APPR: 回路番号 DRAWN: CH'K: APPR: 回路番号 DRAWN: CH'K: APPR:
--	--	--	--

回路番号 DRAWN: CH'K: APPR: 回路番号 DRAWN: CH'K: APPR: 回路番号 DRAWN: CH'K: APPR:	回路番号 DRAWN: CH'K: APPR: 回路番号 DRAWN: CH'K: APPR: 回路番号 DRAWN: CH'K: APPR:	回路番号 DRAWN: CH'K: APPR: 回路番号 DRAWN: CH'K: APPR: 回路番号 DRAWN: CH'K: APPR:	回路番号 DRAWN: CH'K: APPR: 回路番号 DRAWN: CH'K: APPR: 回路番号 DRAWN: CH'K: APPR:
--	--	--	--

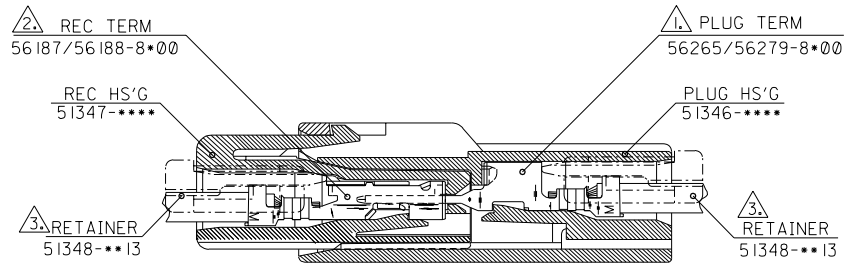
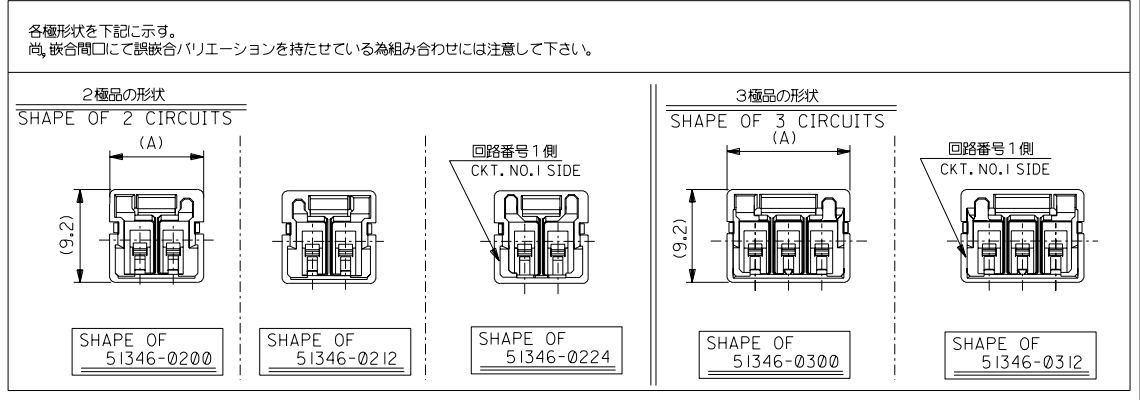
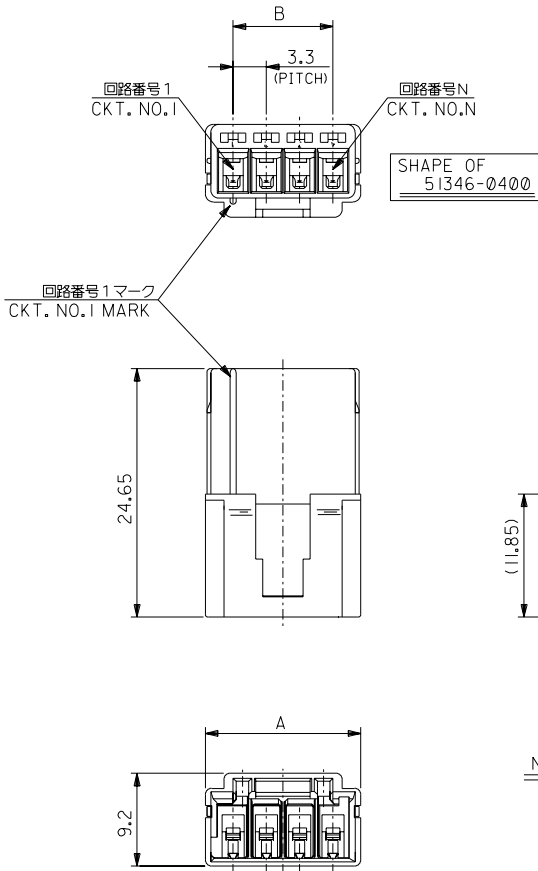
MATERIAL 材料 FINISH 仕上げ WIRE RANGE 適用電線範囲 INS. RANGE 被覆外径	// // // //
---	----------------------

GENERAL TOLERANCES: (UNLESS SPECIFIED) 一般公差 10 UNDER 未満 ±0.2 10 OVER 30 UNDER 以上 未満 ±0.25 30 OVER 以上 ±0.3 ANGLE 角度 ±3°	SCALE 縮尺 DESIGN UNITS 設計単位 DRAWN BY & DATE 作成者/日 CHECKED BY & DATE 検核者/日 APPROVED BY & DATE 承認者/日 CAD FILENAME 図面ファイル名
--	---

DIMENSIONS: 寸法 <input type="checkbox"/> mm <input type="checkbox"/> INCH <input type="checkbox"/> mm ONLY <input type="checkbox"/> INCH ONLY SHT 図面枚数 REV 改訂	TITLE: 3.3 mm WIRE TO WIRE CONN. PLUG HOUSING MOLEX MOLEX INCORPORATED MATERIAL NO. 材料番号 DRAWING NO. 図面番号 SHEET NO. 1 OF 2 SIZE B
--	--

DWG. NO. SD-51346-001
 F
 D
 V
 C
 B
 DO NOT SCALE DRAWING

本図は1列品を示す
 SINGLE ROW ASS'Y



ターミナル装着・嵌合状態図
 TERMINAL ASSEMBLY & MATING CONDITION

注記
 NOTES

- △ 適合ターミナル：56265/56279シリーズ
 APPLICABLE TERMINAL：56265/56279 SERIES
 - △ 適合ターミナル：56187/56188シリーズ
 APPLICABLE TERMINAL：56187/56188 SERIES
 - △ 適合リテーナー：51348シリーズ
 APPLICABLE RETAINER：51348 SERIES
4. 材料 MATERIAL : NYLON66, UL94V-0

51347-0400	51348-0413	NATURAL	9.9	15.1	4	51346-0400	51346-****
-0312	-0313	RED	6.6	12.1	3	-0312	
-0300	-0313	NATURAL	6.6	12.1		-0300	
-0224	-0213	BLUE	3.3	9.3		-0224	
	-0212	RED	3.3	9.3	2	-0212	
51347-0200	51348-0213	NATURAL	3.3	9.3		51346-0200	

① NO. DRAWN: CH'K: APPR: ② NO. DRAWN: CH'K: APPR: ③ NO. DRAWN: CH'K: APPR: ④ NO. DRAWN: CH'K: APPR: ⑤ NO. DRAWN: CH'K: APPR: ⑥ NO. DRAWN: CH'K: APPR:	DESCRIPTION FINISH 仕上げ WIRE RANGE 適用電線範囲 INS. RANGE 被覆外径	MATERIAL 材料	GENERAL TOLERANCES: (UNLESS SPECIFIED) 一般公差	SCALE	DESIGN UNITS <input checked="" type="checkbox"/> mm <input type="checkbox"/> INCH	DIMENSIONS: <input type="checkbox"/> mm <input type="checkbox"/> INCH <input checked="" type="checkbox"/> mm ONLY <input type="checkbox"/> INCH <input type="checkbox"/> mm ONLY	SHT REV 2 1 2 2 2 1 2 1 2 1 2 1
		— // —	10 UNDER 未満 ±0.2	10/15	DRAWN BY & DATE T.Odo '04/01/15		
		— // —	10 OVER 30 UNDER 未満 ±0.25	30/15	CHECKED BY & DATE S. Ichikawa.	MOLEX MOLEX INCORPORATED	
		— // —	30 OVER 以上 ±0.3	30/15	APPROVED BY & DATE Y.Oto		CAD FILENAME SD-51346-001.S02 MATERIAL NO. SEE CHART DRAWING NO. SD-51346-001 SHEET NO. 2
		⑦	REV	INS. RANGE 被覆外径	ANGLE 角度 ±3°	THIS DRAWING CONTAINS INFORMATION THAT IS PROPRIETARY TO MOLEX INCORPORATED AND SHOULD NOT BE USED WITHOUT WRITTEN PERMISSION.	