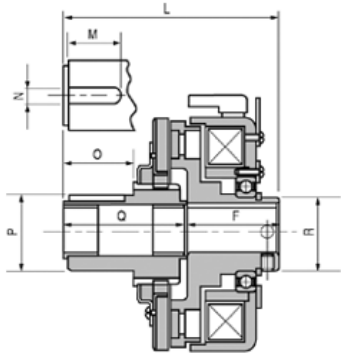


# CT

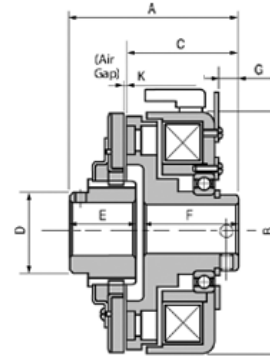
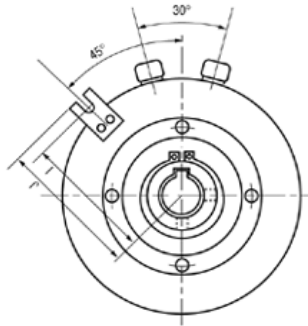
# Self-Adjusting EM Clutch

Types: 20, 50

[ EM: Electromagnet ]



Extended Hub (model 20 only)



Standard Hub

CT		20	50
Rated Torque [ft-lbs / N-m]		20 / 27.1	50 / 67.8
Coil (20°C)	Voltage [DC-V]	90 <sup>1</sup> , 28, 24 <sup>1</sup> , 6	90 <sup>1</sup> , 24 <sup>1</sup> , 6
	Resistance [Ω]	1087, 105, 74, 4.8	237, 16, 1.1
Max Allowable Speed [rpm]		4500	4000
Standard Bore Options [in]	Bore	1/2	1-1/8
	Key Way	1/8 x 1/16	1/4 x 1/2
	Bore	5/8	1-1/4
	Key Way	3/16 x 3/32	1/4 x 1/8
	Bore	3/4	Accepts Type G Bushing
Key Way	3/16 x 3/32		
Bore	7/8 <sup>2</sup>		
Dimensions [in]	Key Way	3/16 x 3/32	
	Bore	1 <sup>2</sup>	
	Key Way	1/4 x 1/8	
	A	2.938	3.219
	B	4.5	5.313
	C	1.938	2.094
	D	1.564	1.969
	E	1.188	1.313
	F	1.625	1.5
	G	0.375	0.375
	I	2.25	2.875
	J	2.5	3.125
	K	0.024	0.031
	L	3.813	-
	M	1	-
	N	0.3125 / 0.3145	-
	O	1.125	-
P	1.375 / 1.376	-	
Q	2.188	-	
R	1.594	-	
Weight [lbs / kg]		9.2 / 4.2	15 / 7

[ Note 1 : Most common voltage ]

[ 1" = 25.4mm ]

[ Note 2 : Not available with extended hubs ]