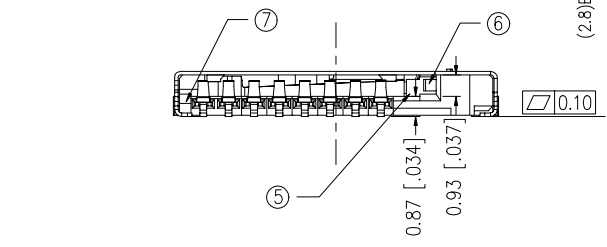
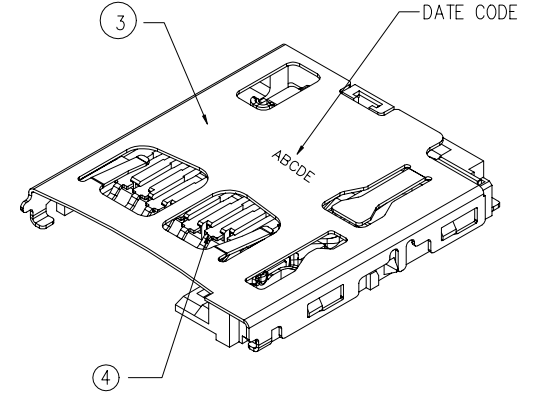
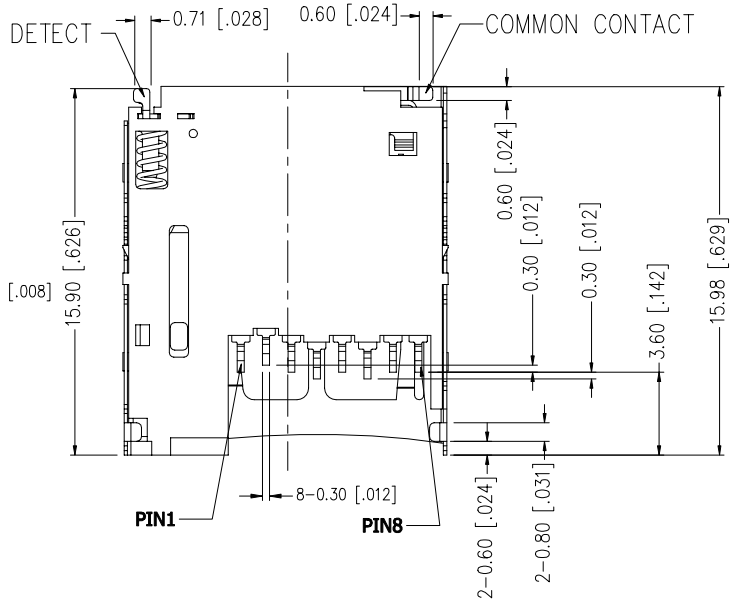
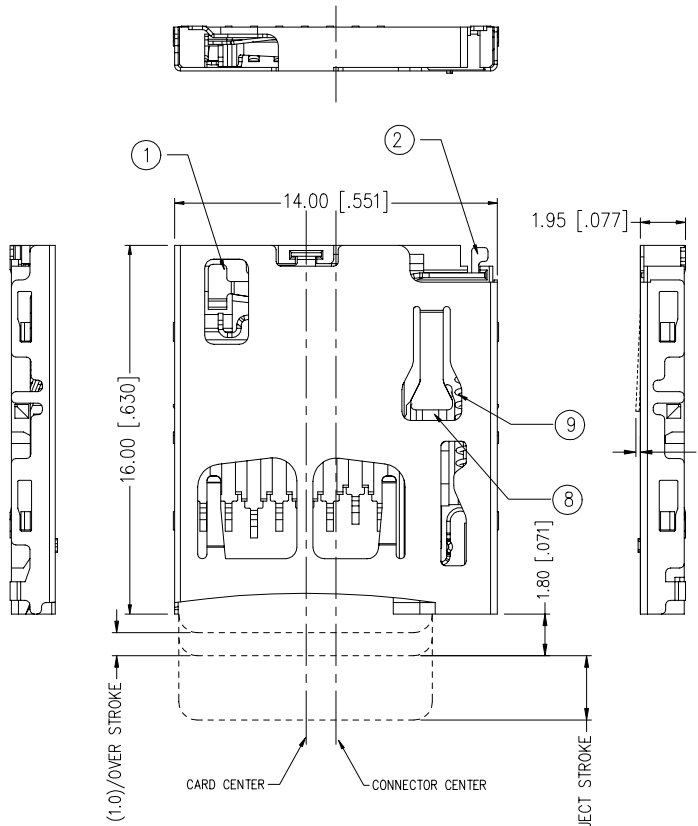
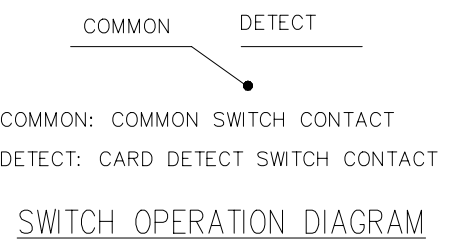


REV.	ECN. NO.	APPD.
A	BC-07-7035323	Wen-Guey Lii
B	BC-07-7062101	Hua Yin
BX1		Hua Yin



PIN NO.	PIN DEFINE
PIN 1	DATA2
PIN 2	CD/DATA3
PIN 3	CMD
PIN 4	V _{DD}
PIN 5	CLK
PIN 6	V _{SS}
PIN 7	DATA0
PIN 8	DATA1

NO.	DESCRIPTION	Q'TY	MATERIAL	FINISH	REMARK
9	SPRING	1	S.W.P.		
8	CAM FOLLOWER	1	S.W.C.		
7	HOUSING	1	HIGH TEMPERATURE THERMOPLASTIC	COLOR : BLACK	
6	CARD LOCK	1	STAINLESS STEEL	CLEAN	
5	SLIDER	1	HIGH TEMPERATURE THERMOPLASTIC	COLOR : BLACK	
4	CONTACT FOR MICRO SD CARD	8	COPPER ALLOY	NICKEL UNDERPLATING GOLD PLATING OVER CONTACT AREA LEAD-FREE TIN PLATING AT SOLDER TERMINAL	
3	SHELL	1	COPPER ALLOY	SMT AREA : GOLD PLATING	
2	CARD DETECT CONTACT	1	COPPER ALLOY	NICKEL UNDERPLATING GOLD PLATING OVER CONTACT AREA LEAD-FREE TIN PLATING AT SOLDER TERMINAL	
1	COMMON CONTACT (COM)	11	COPPER ALLOY	SMT AREA : GOLD PLATING CONTACT AREA : GOLD PLATING	



ELECTRIC FUNCTION	DETECT SWITCH
WITHOUT CARD	OPEN
CARD INSERTED	CLOSE
SWITCH DIAGRAM	DETECT — COMMON

X. ±		X' ± 1*	UNITS mm [inch]	NAME (INTENDED USE)	FOXCONN HON HAI PRECISION IND. CO., LTD. TAIPEI, TAIWAN, R.O.C.
.X ± ^{0.38} [.015]		.X' ±	MAT'L	CUSTOMER	
.XX ± ^{0.25} [.010]		.XX' ±	N/A	PART NO. (INTENDED USE)	TITLE: MICRO SD CARD CONNECTOR NORMAL WITH PUSH-PUSH FUNCTION
.XXX ±		.XXX' ±	FINISH	WQ21823-DES1-7F	DWG NO.: 303-0000-1712
THESE DRAWINGS AND SPECIFICATIONS ARE THE PROPERTY OF HON HAI PRECISION IND. CO., LTD. AND SHALL NOT BE REPRODUCED COPIED OR USED IN ANY MANNER WITHOUT THE PRIOR WRITTEN CONSENT OF HON HAI PRECISION IND. CO., LTD.		Q'TY	N/A	APPD: Hua Yin 7/23'08	CHKD: Kobby Zhao 7/23'08
				DR: F.Y Zhu 7/23'08	SCALE SHEET REV. 1:1 1/2 BX1

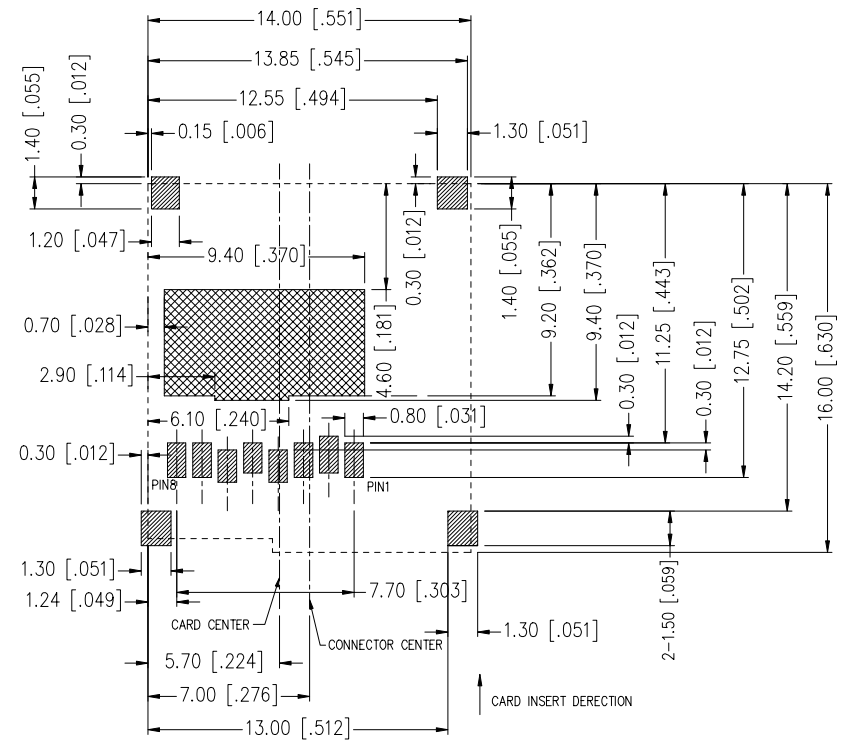
SPECIFICATION

1. ELECTRICAL CHARACTERISTICS:
 - 1.1 CONTACT CURRENT RATING: 0.5A.
 - 1.2 CONTACT RESISTANCE: 100 mOHMS MAX.(INITIAL)
40 mOHMS MAX CHANGE (AFTER LIFE TEST)
 - 1.3 DIELECTRIC WITHSTANDING VOLTAGE: 500 V AC RMS.
 - 1.4 INSULATION RESISTANCE: 1000 MOHMS MIN.
AFTER TEST 100M OHMS MIN.
2. MECHANICAL CHARACTERISTICS:
 - 2.1 CARD MATING FORCE: 30 N MAX..
 - 2.2 DURABILITY: 10000 CYCLES.
 - 2.3 OPERATING TEMPERATURE: -25°C TO 85°C.
[INCLUDING TERMINAL TEMPERATURE RISE]
3. RECOMMENDED PEAK TEMPERATURE OF CUSTOMER IR PROCESS IS 250°C±5°C 10 S
4. THE CONNECTOR IS ROHS COMPLIANT .

5. PRODUCT NO:

WQ 2 1 8 2 3 - DES1-7F

Series Prefix WQ
 Mciro SD
 Memory Card Conn
 Termination Type 2
 2 = SMT Type
 Switch Type 1
 1 = Normal Open Type
 No. of Pos. 8
 8=8pin
 Upper Cover Type 2
 2 = Metal Cover With Push-Push
 Contact Area Plating Thickness 3
 3 = 30u" Gold Plating
 Modification Code _____
 Package & Solder Tail Type 7F
 7F =Tape & Reel (Lead Free)



RECOMMENDED P.C.B LAYOUT
(COMPONENT SIDE)

1. DEFAULT TOLERANCE ±0.05 [.002]
2. : SOLDER PAD AREA.
3. : NO PARTS AREA.

X. ±	X': ± 1*	UNITS mm [inch]	NAME(INTENDED USE) CUSTOMER	FOXCONN HON HAI PRECISION IND. CO.,LTD. TAIPEI, TAIWAN, R.O.C.
.X ± ^{0.38} [.015]	.X* ±	MAT'L	PART NO.(INTENDED USE) WQ21823-DES1-7F	
.XX ± ^{0.25} [.010]	.XX* ±	N/A	APPD: Hua Yin 7/23'08	TITLE: MICRO SD CARD CONNECTOR NORMAL WITH PUSH-PUSH FUNCTION
.XXX±	.XXX*±	FINISH N/A	CHKD: Kobby Zhao 7/23'08	DWG NO.: 303-0000-1712
THESE DRAWINGS AND SPECIFICATIONS ARE THE PROPERTY OF HON HAI PRECISION IND. CO., LTD. AND SHALL NOT BE REPRODUCED COPIED OR USED IN ANY MANNER WITHOUT THE PRIOR WRITTEN CONSENT OF HON HAI PRECISION IND. CO., LTD.			DR: F.Y Zhu 7/23'08	SCALE SHEET REV. 1:1 2/2 BX1