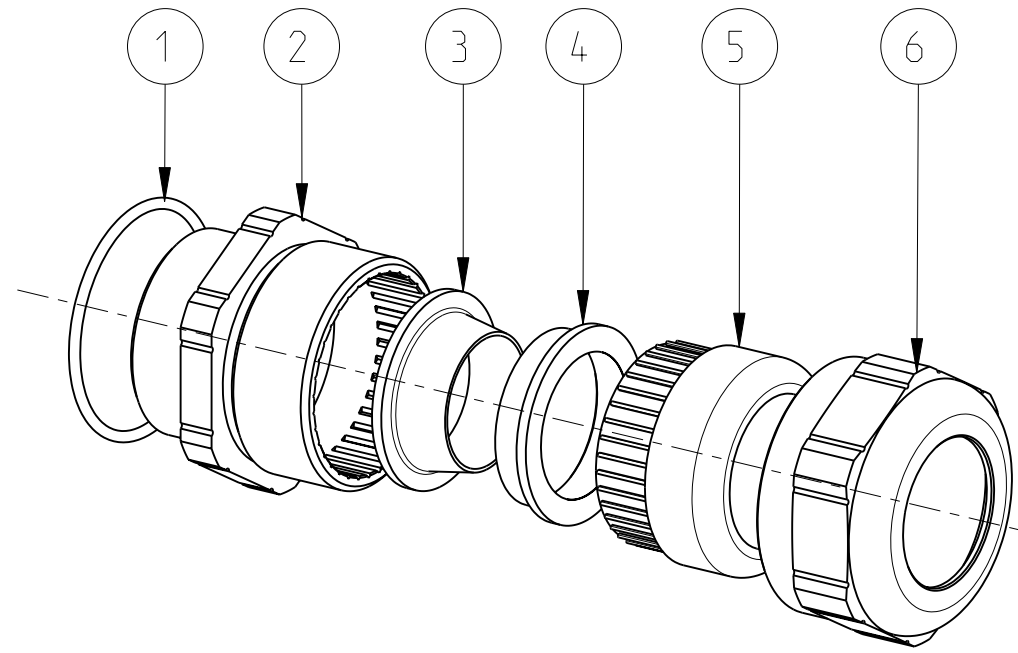
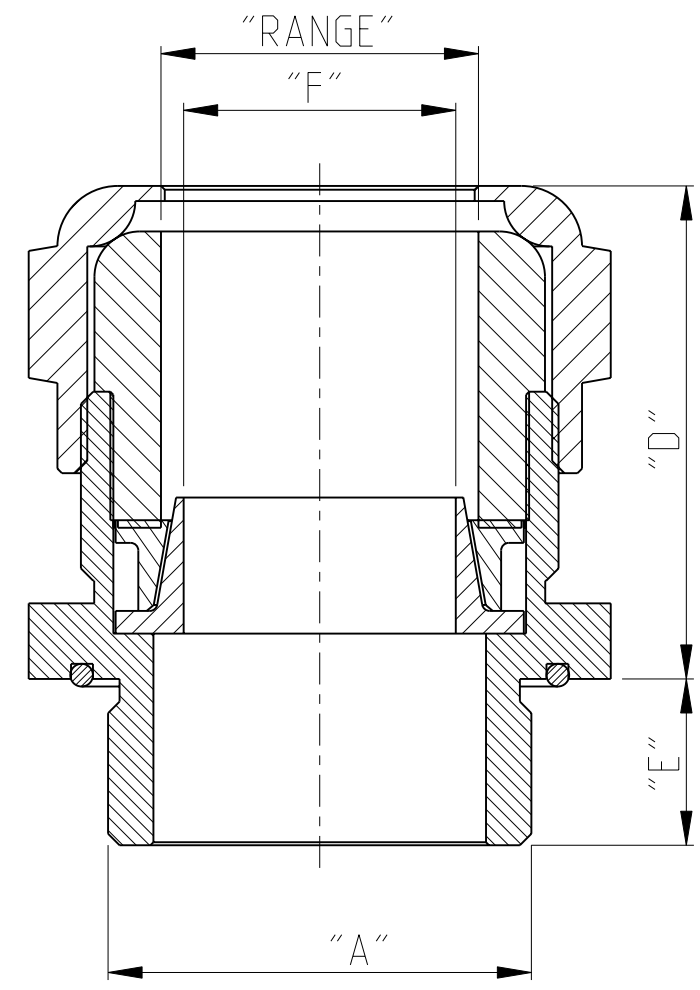


THIS DRAWING IS UNPUBLISHED. RELEASED FOR PUBLICATION 2006
 © COPYRIGHT 2006 BY TYCO ELECTRONICS CORPORATION. ALL RIGHTS RESERVED.

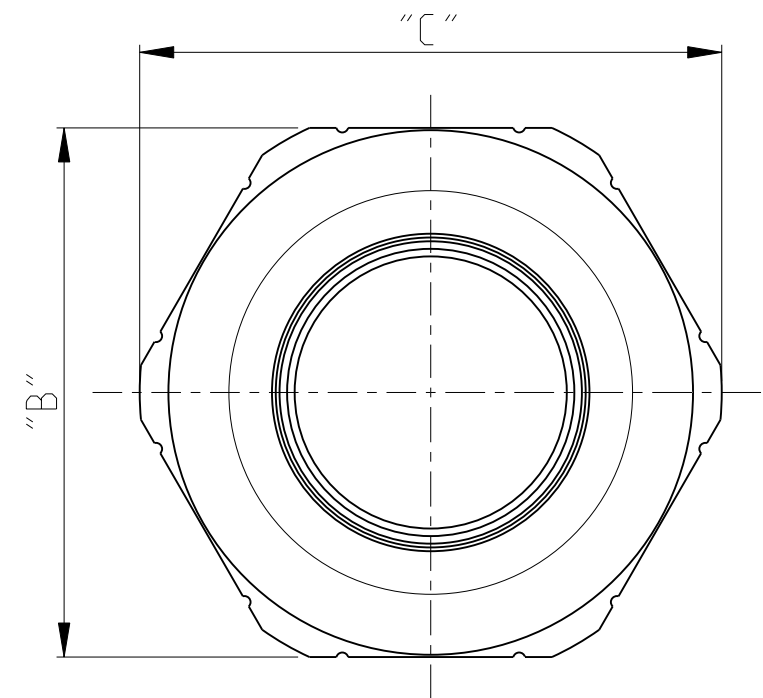
LOC	DIST	REVISIONS			
P	LTR	DESCRIPTION	DATE	DWN	APVD
A1	-	NEW DRAWN	21JUL2009	GW	BR



Notes
 1 PACKAGING: 10 PIECES IN A CARTON
 2 PACKAGING: 5 PIECES IN A CARTON

QTY.	DESCRIPTION	MATERIAL	SURFACE / COLOR	ITEM
1	SEALING INSERT	TPE-V		6
1	PRESSURE NUT	BRASS	NICKEL PLATED	5
1	OUTER CONE	BRASS	NICKEL PLATED	4
1	INNER CONE	BRASS	NICKEL PLATED	3
1	DOUBLE NIPPLE	BRASS	NICKEL PLATED	2
1	O-RING	NBR	BLACK	1

PARTS LIST



△	PG	"A"	"B"	"C"	"D"	"E"	"F"	"RANGE"	WEIGHT [kg]
2-5	PG 29	40	43.5	39	13	24	26.0-22.0	0.153	
2-3	PG 29	40	43.5	39	13	20	23.0-19.0	0.151	
2-2	PG 21	35	38.5	34	12	18	20.0-17.0	0.132	
1-9	PG 21	30	33.5	32	12	13	16.5-14.0	0.132	
1-8	PG 21	30	35.5	32	12	10.5	14.0-10.0	0.132	
1-6	PG 16	30	33.5	32	11	13	16.5-14.0	0.096	
1-4	PG 16	30	33.5	32	11	8	11.5-10.0	0.095	
1-1	PG 16	30	33.5	32	11	7	10.5-8.0	0.095	
0-7	PG 13.5	24	26.7	31	10	3.3	6.5-4.0	0.081	
0-6	PG 11	24	26.7	31	10	7	11.0-8.0	0.072	
0-4	PG 11	24	26.7	31	10	6	6.5-4.0	0.073	

DIMENSIONS: mm 		TOLERANCES UNLESS OTHERWISE SPECIFIED: 0 PLC ±- 1 PLC ±- 2 PLC ±- 3 PLC ±- 4 PLC ±- ANGLES ±1° FINISH -		DWN H.J.BAUM 21JUL2009 CHK T.SCHNURPFIL 21JUL2009 APVD - PRODUCT SPEC - APPLICATION SPEC - WEIGHT -		Tyco Electronics tyco Electronics AMP GmbH 53757 Sankt Augustin (Germany)	
MATERIAL -				NAME CABLE GLAND ASS'Y SERIES EMV-DICHT, PG			
CUSTOMER DRAWING		SIZE A3		CAGE CODE 00779		DRAWING NO. C-1106007	
SCALE 1:1				SHEET 1 OF 1		REV A1	