



## Hermetic and Small Bayonet Connectors Per MIL-DTL-26482 Series I

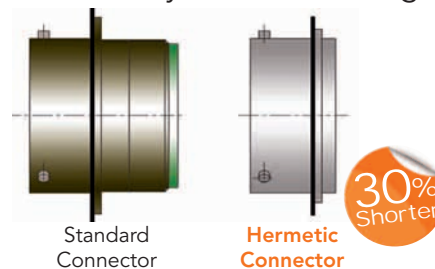
Hermeticity and compacity applied to a world wide proven connector series.

- High pressure performance** ■ Glass to metal sealing.  
Helium leakage of less than  $10^{-7}$  atm.cm<sup>3</sup>/s.



Pressure resistant.

- Compact design** ■ No rear accessory thread and no grommet.



Standard Connector

Hermetic Connector

30%  
Shorter

- Easy use** ■ Quick bayonet coupling.



## Description

- Glass sealed hermetic
- Compact low profile - 30% shorter than the standard version
- Quick bayonet coupling per:
  - MIL-DTL-26482 Series I
  - HE301
  - VG95328
- Solder cup contacts

## Technical features

### Materials

- **Shell:**  
Steel
- **Plating:**  
Iridescent yellow cadmium  
Nickel
- **Contact:**  
Gold plated ferrous alloy
- **Seal:**  
Fluorocarbon elastomer

### Electrical

- **Max current rating per contact:**

Contact size	20	16	12
Rating (A)	5	10	17

- **Dielectric withstanding voltage:**

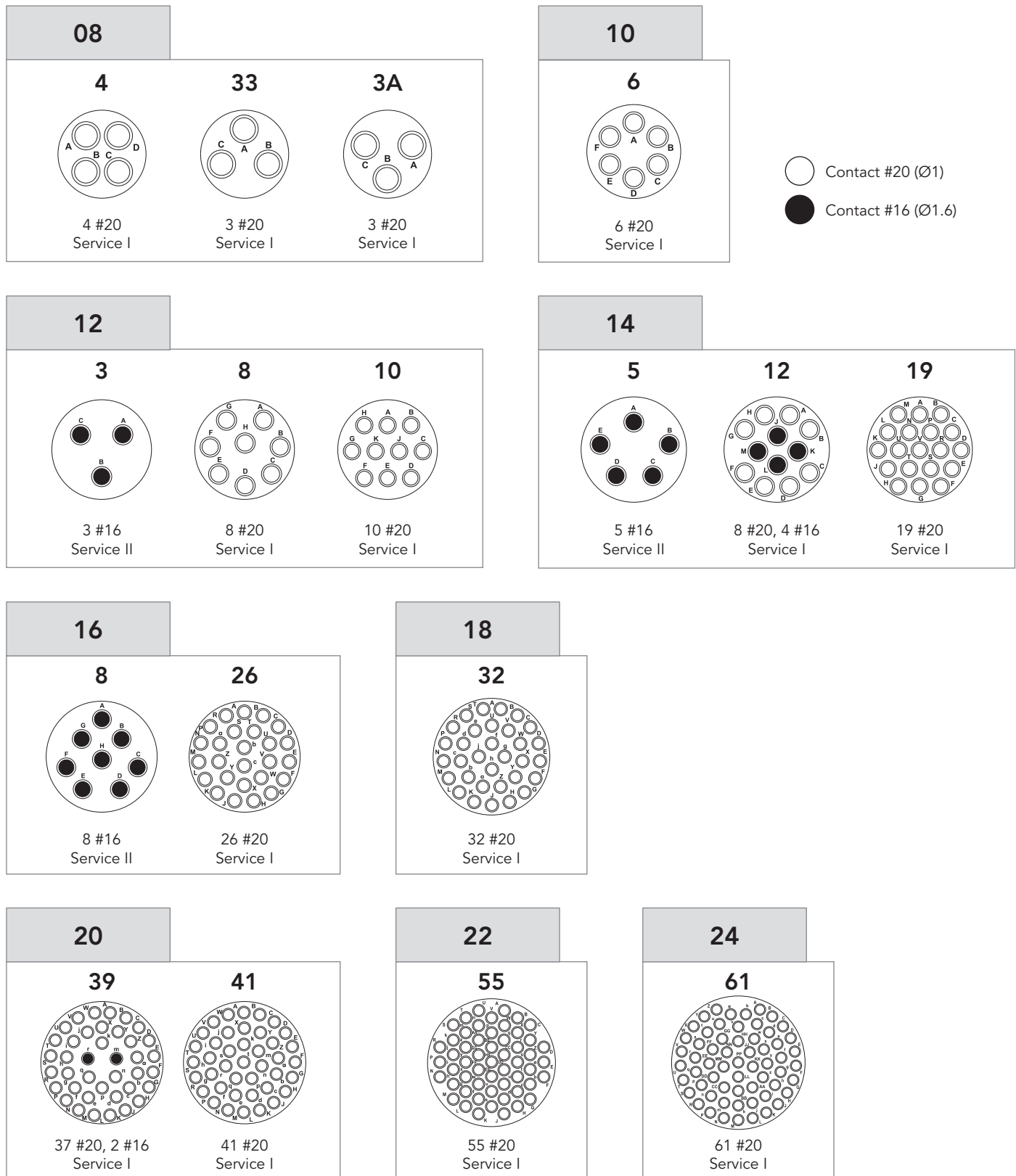
Service	Standard pressure	10 mbar pressure
I	1 500 Vrms	200 Vrms
II	2 300 Vrms	300 Vrms

- **Contact resistance:**  
Size 20  $\leq$  30 m $\Omega$   
Size 16  $\leq$  14 m $\Omega$
- **Shielding:**  
70 dB to 5 MHz  
40 dB to 100 MHz

### Environmental

- **Operating temperature:**  
-55°C to +125°C
- **Hermeticity:**  
1 bar differential pressure,  
leakage  $\leq$  2.8 mm<sup>3</sup>/hr
- **Salt spray:**  
48 hours min
- **Chemical resistance:**  
To MIL-DTL-26482G Series I
- **Damp heat:** 21 days

## Contact layouts



## Ordering information

### SOURIAU part numbers

<b>Basic series</b>	851	02H	18	32	P		50
<b>Shell type:</b>							
IH: Solder mount receptacle							
02H: Square flange receptacle							
07H: Jam nut receptacle							
<b>Shell size:</b>							
08, 10, 12, 14, 16, 18, 20, 22, 24							
<b>Contact layout:</b>							
See previous page							
<b>Contact type:</b>							
P: Pin							
<b>Orientation:</b>							
None: Normal (N)							
W, X, Y, Z - see page 7							
<b>Mandatory suffix:</b>							
50: Gold plating for contact size 20 and size 16							
<b>Specification:</b>							
None: Yellow cadmium plating - 02H and 07H only							
Nickel plated - IH only							
44: Nickel plated - 02H and 07H only							

### VG95328 qualified products

<b>Basic series</b>	VG95328	F	18	32	P	N
<b>Shell type:</b>						
G: Solder mount receptacle						
F: Jam nut receptacle						
<b>Shell size:</b>						
08, 10, 12, 14, 16, 18, 20, 22, 24						
<b>Contact layout:</b>						
See previous page						
<b>Contact type:</b>						
P: Pin						
<b>Orientation:</b>						
N, W, X, Y, Z - see page 7						

## Contact layouts (matrix)

Shell size	Layout	Hermetic 851	Hermetic MIL-DTL-26482G	Hermetic VG95328	Number of contacts	
					#20	#16
08	8-3A			Q	3	
	8-98				3	
	8-33				3	
	8-4				4	
10	10-6			Q	6	
12	12-3			Q		3
	12-8				8	
	12-10			Q	10	
14	14-5			Q		5
	14-12			Q	8	4
	14-15			Q	14	1
	14-19			Q	19	
16	16-8			Q		8
	16-26			Q	26	
18	18-32			Q	32	
20	20-39			Q	37	2
	20-41			Q	41	
22	22-55			Q	55	
24	24-61			Q	61	

## Cross reference list

SOURIAU	NFC 93422 HE 301B	MIL-DTL-26482G Series I Not QPL
851 02H ●●○○ P □ 50	HE 301 B 02 H ●●○○ P □ 3A	-
851 07H ●●○○ P □ 50	HE 301 B 07 H ●●○○ P □ 3A	MS 3114 H ●●C ○○ P □
851 IH ●●○○ P □ 50	HE 301 B 1 H ●●○○ P □ 3A	MS 3113 H ●●C ○○ P □

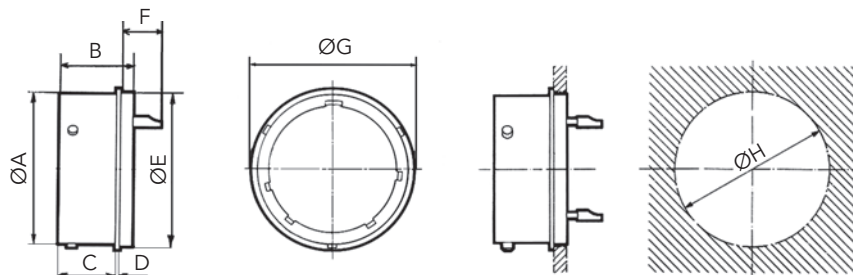
- Shell size
- Layout
- Orientation. Empty if orientation N - only for «Souriau», «NFC93422» and «MIL-DTL-26482G Series I»

## Maximum connector weights (in grams)

Shell size / Shell type	8	10	12	14	16	18	20	22	24
Solder mount receptacle (type IH)	7	9	13	17	21	26	32	37	43
Square flange receptacle (type 02H)	10	12	16	21	26	33	41	47	55
Jam nut receptacle (type 07H)	20	25	38	45	52	63	86	96	115

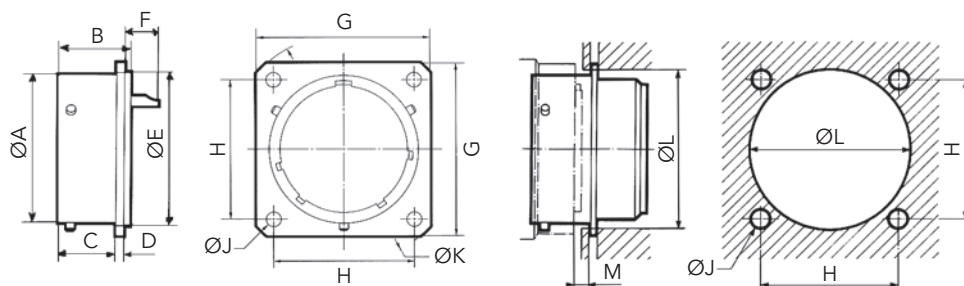
## Dimensions

### Solder mount receptacle (type IH)



Shell size	A	B	C max	D max	E max	F max	G max	H $\pm 0.1$
8	12.03	13.84	10.69	0.76	14.27	8.19	16.40	14.70
10	15.01	13.84	10.69	0.76	17.06	8.19	19.40	17.50
12	19.07	13.84	10.69	0.76	19.83	8.19	21.80	20.20
14	22.25	13.84	10.69	0.76	23.00	8.19	25.00	23.40
16	25.42	13.84	10.69	0.76	26.18	8.19	28.10	26.60
18	28.60	13.84	10.69	0.76	29.36	8.19	31.30	29.80
20	31.77	15.42	12.32	0.76	31.74	8.16	33.70	32.10
22	34.95	16.23	12.32	0.76	34.92	8.16	36.90	35.30
24	38.12	17.04	40.10	7.36	38.10	7.36	40.10	38.40

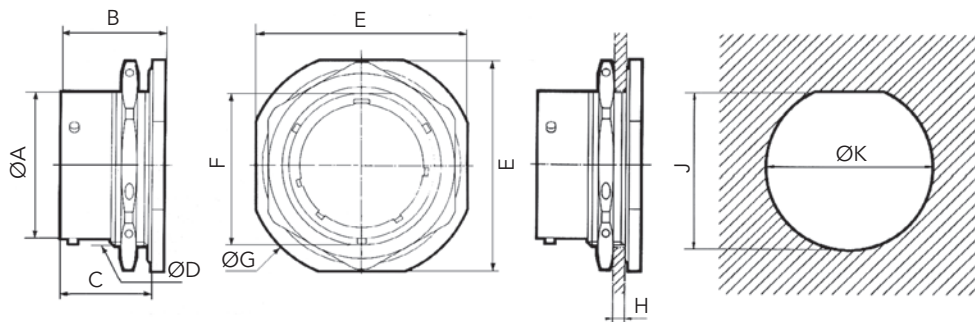
### Square flange receptacle (type 02H)



Shell size	A	B	C max	D max	E	F max	G max	H	J	K max	L $\pm 0.1$	M min
8	12.03	13.84	11.24	1.67	14.27	6.97	21.42	15.09	3.13	27.09	15.55	2.90
10	15.01	13.84	11.24	1.67	17.06	6.97	24.62	18.26	3.13	31.87	18.80	2.90
12	19.07	13.84	11.24	1.67	19.85	6.97	26.98	20.62	3.13	35.04	22.15	2.90
14	22.25	13.84	11.24	1.67	23.00	6.97	29.36	23.00	3.13	38.22	25.30	2.90
16	25.42	13.84	11.24	1.67	26.18	6.97	31.73	24.61	3.13	41.39	28.45	2.90
18	28.60	13.84	11.24	1.67	29.36	6.97	34.12	26.97	3.13	44.57	31.65	2.90
20	31.77	15.42	12.00	2.48	31.74	6.99	37.20	29.36	3.13	47.74	34.80	5.50
22	34.95	16.23	12.00	2.48	34.92	6.99	40.47	31.75	3.13	50.92	38.00	5.50
24	38.12	17.04	12.81	2.48	38.10	6.19	43.66	34.92	3.81	55.69	41.20	5.50

Note: All dimensions are in millimeters (mm)

**Jam nut receptacle (type 07H)**

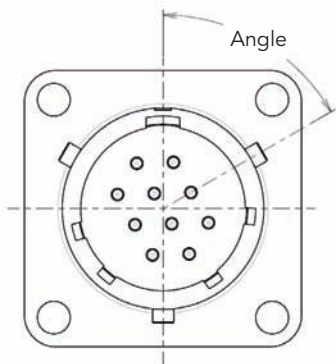


Shell size	A	B max	C max	D	E max	F	G max	H min	H max	J ±0.1	K ±0.1
8	12.03	20.53	17.93	14.26	24.07	13.33	27.37	1.57	3.17	13.75	14.60
10	15.01	20.53	17.93	17.43	27.22	16.51	30.57	1.57	3.17	16.95	17.75
12	19.07	20.53	17.93	22.19	32.00	20.63	35.32	1.57	3.17	21.50	22.50
14	22.25	20.53	17.93	25.36	35.17	23.78	38.50	1.57	3.17	24.20	25.70
16	25.42	20.53	17.93	28.54	38.35	26.93	41.67	1.57	3.17	27.35	28.85
18	28.60	20.53	17.93	31.71	41.52	30.10	44.85	1.57	3.17	30.55	32.05
20	31.77	26.10	22.70	34.89	46.27	33.28	49.62	1.57	6.35	33.70	35.20
22	34.95	26.10	22.70	38.06	49.47	36.45	52.77	1.57	6.35	36.90	38.40
24	38.12	26.93	23.54	41.24	52.62	39.63	55.97	1.57	6.35	40.05	41.55

Note: All dimensions are in millimeters (mm)

**Orientation**

**Polarization code**



Viewed from receptacle front face.  
Insulator rotated inside metal body.

Shell size	Layout	Angle in degrees			
		W	X	Y	Z
8	4	45	-	-	-
	33	90	-	-	-
	3A	60	210	-	-
10	6	90	-	-	-
12	3	-	-	180	-
	8	90	112	203	292
	10	60	155	270	295

Shell size	Layout	Angle in degrees			
		W	X	Y	Z
14	5	40	92	184	273
	12	43	90	-	-
	19	30	165	315	-
16	8	54	152	180	331
	26	60	-	275	338
18	32	85	138	222	265
20	41	45	126	225	-
22	55	30	142	226	314
24	61	90	180	270	324

For further information contact us at [contactmilaero@souriau.com](mailto:contactmilaero@souriau.com)  
or visit our web site [www.souriau.com](http://www.souriau.com)