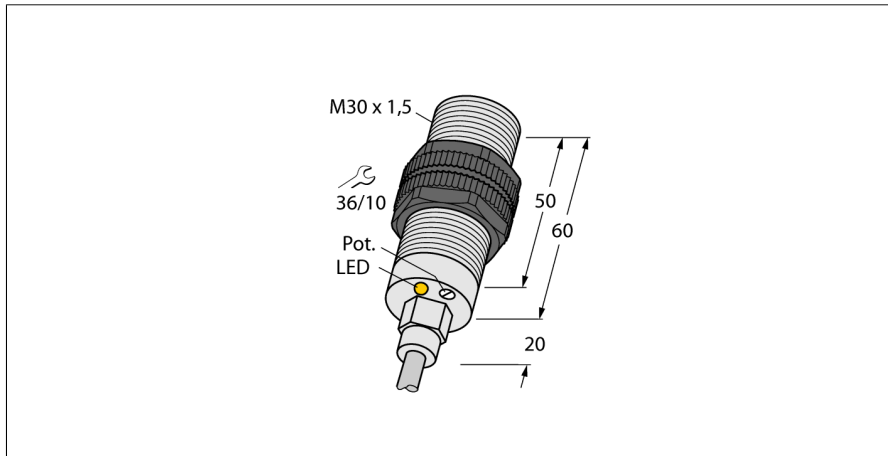
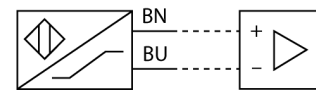


## Capacitive sensor BC10-PT30-Y0X



- M30 × 1.5 threaded barrel
- Plastic, PVDF
- Fine adjustment via potentiometer
- DC 2-wire, nom. 8.2 VDC
- Output acc. to DIN EN 60947-5-6 (NAMUR)
- Cable connection

### Wiring Diagram



|   |   |
|---|---|
| <b>Type designation</b>                 | BC10-PT30-Y0X                             |
| Ident-No.                               | 2020000                                   |
| <b>Rated switching distance (flush)</b> | 10 mm                                     |
| Rated switching distance (non-flush)    | 15 mm                                     |
| Secured operating distance              | ≤ (0.72 × S <sub>n</sub> ) mm             |
| Hysteresis                              | 1...20 %                                  |
| Temperature drift                       | type 20 %                                 |
| Repeat accuracy                         | ≤ 2 % of full scale                       |
| Ambient temperature                     | -25...+70 °C                              |
| <b>Voltage</b>                          | Nom. 8.2 VDC                              |
| Current consumption non-actuated        | ≤ 1.2 mA                                  |
| Actuated current consumption            | ≥ 2.1 mA                                  |
| Switching frequency                     | 0.1 kHz                                   |
| Output function                         | 2-wire, NAMUR                             |
| <b>Design</b>                           | Threaded barrel, M30 × 1.5                |
| Housing material                        | Plastic, PVDF                             |
| Active area material                    | Plastic, PVDF                             |
| Max. tightening torque housing nut      | 2 Nm                                      |
| Electrical connection                   | Cables                                    |
| Cable quality                           | Ø 5.2mm, LifYY, PVC, 2 m                  |
| Cable cross section                     | 2 × 0.34 mm <sup>2</sup>                  |
| Vibration resistance                    | 55 Hz (1 mm)                              |
| Shock resistance                        | 30 g (11 ms)                              |
| Protection class                        | IP67                                      |
| MTTF                                    | 448 years acc. to SN 29500 (Ed. 99) 40 °C |
| Packaging unit                          | 1   |
| <b>Switching state</b>                  | LED, Yellow                               |

### Functional principle

Capacitive proximity switches are designed for non-contact and wear-free detection of electrically conductive as well as non-conductive metal objects.

**Capacitive sensor  
BC10-PT30-Y0X**

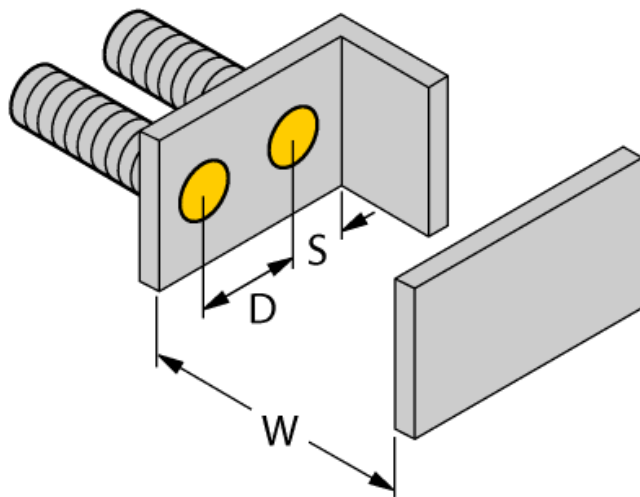
| Mounting instructions/Description | minimum distances |
|-----------------------------------|-------------------|
| Distance D                        | 60 mm             |
| Distance W                        | 30 mm             |
| Distance S                        | 45 mm             |
| Distance G                        | 60 mm             |

---

|                               |         |
|-------------------------------|---------|
| <b>Diameter active area B</b> | Ø 30 mm |
|-------------------------------|---------|

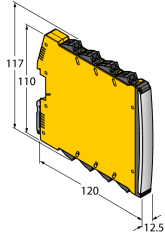
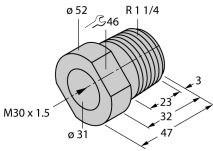
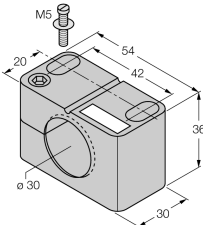


The given minimum distances have been checked against the standard switching distance. Should the sensitivity of the sensors be changed via potentiometer, the data sheet specifications no longer apply.



## Capacitive sensor BC10-PT30-Y0X

### Accessories

| Type code                    | Ident-No. | Description  |   |
|------------------------------|-----------|--|---|
| IMX12-DI01-2S-2T-0/<br>24VDC | 7580020   | Isolating switching amplifier, 2-channel; SIL2 acc. to IEC 61508; Ex-proof version; 2 transistor outputs; input Namur signal; ON/OFF switchable monitoring of wire-break and short-circuit; toggle between NO/NC mode; signal doubling; removable screw terminals; 12.5 mm wide; 24 VDC power supply |    |
| MAP-M30                      | 6950013   | Mounting adapter; material: Polypropylene; sensor replacement with filled container possible (adapter remains in container during sensor replacement)  |    |
| BST-30B                      | 6947216   | Fixing clamp for threaded barrel devices, with dead-stop; material: PA6  |  |