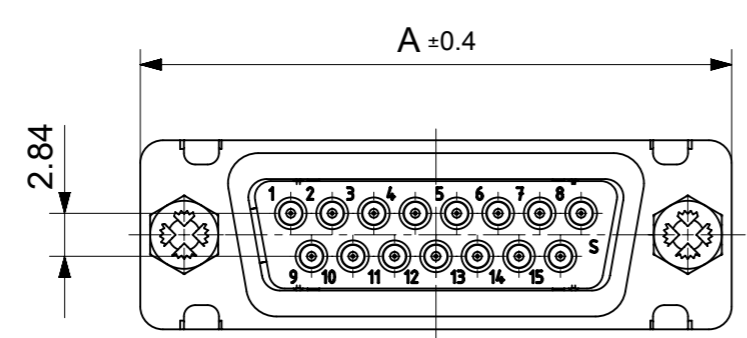
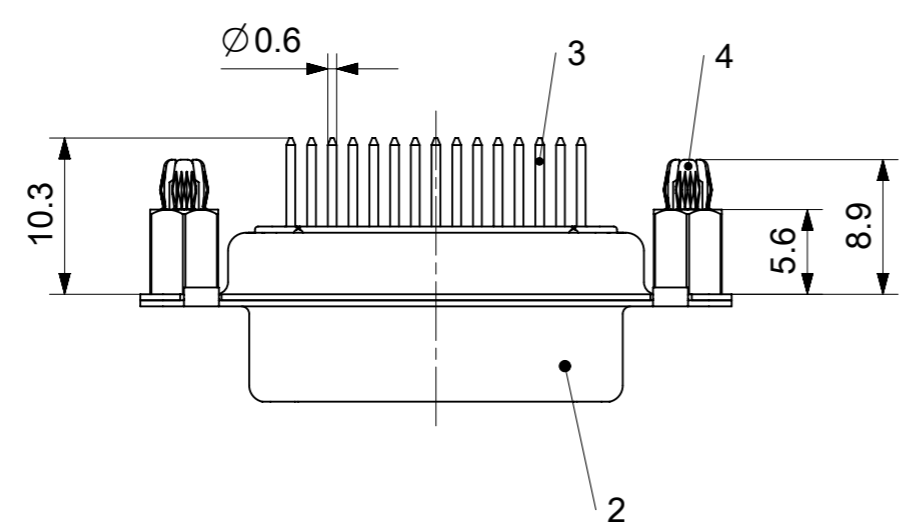
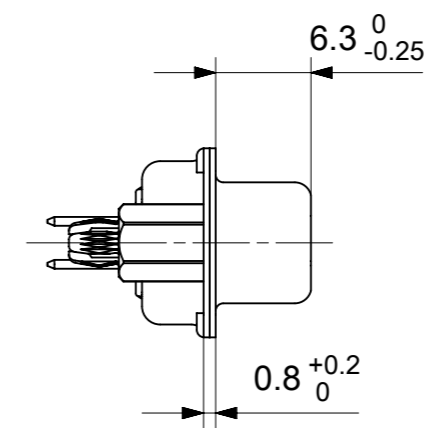
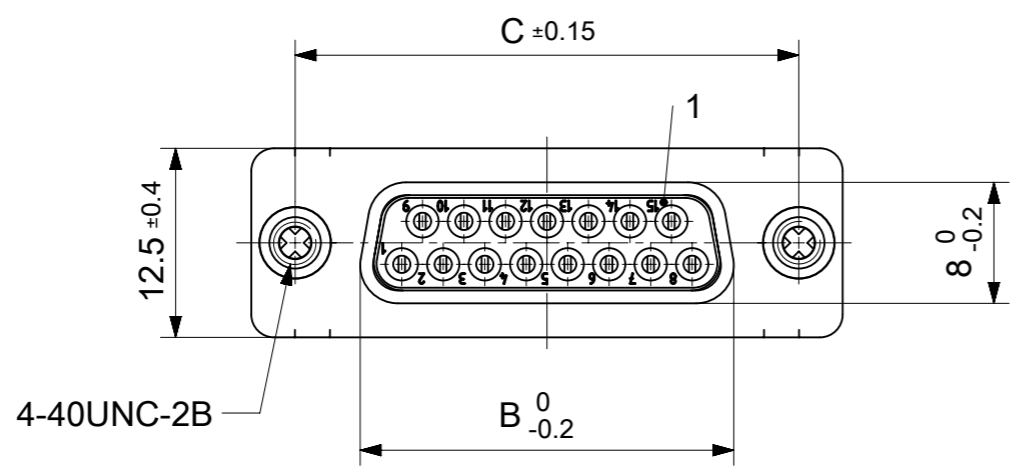


RoHS compliant  
by exemption



FCT Part number:  
Fxx\*1)S1G1A-0981  
e.g. F15S1G1A-0981  
\*1) xx No. of contacts 09, 15, 25 or 37

Material Number	xx*1)	A[mm]	B[mm]	C[mm]	*E[mm]	*F[mm]
1731091892	09	30.8	16.4	25	Ø1	Ø3
1731091894	15	39.1	24.7	33.3		
1731091926	25	53	38.5	47.04		
1731091908	37	69.3	54.9	63.5		

\*PCB hole patterns ØE, ØF see document 2195600023

No.	Pc.	Part	Type Description/Material	Surface plating/Color/Class
4	2	Snap-in bolt	PCB 1.6mm / Brass	tin plated
3	xx	Signal contact	S1 / Brass	Auropur
2	1	Shell	Steel	tin plated
1	1	Insulator	PBT (-55°C to +125°C) acc. UL94V-0	white

MEASUREMENTS WITHOUT TOLERANCE ACC TO ISO 2768-m				REPLACEMENT FOR DOCUMENT NUMBER: FxxS1Gy-0981			
FUNCTIONAL SYMBOLS		THIS DRAWING CONTAINS INFORMATION THAT IS PROPRIETARY TO MOLEX ELECTRONIC TECHNOLOGIES, LLC AND SHOULD NOT BE USED WITHOUT WRITTEN PERMISSION		<div style="text-align: center; font-size: 24px; font-weight: bold;">molex</div> <p>FCT D-SUB MINIATURE CONNECTOR</p> <p>PRODUCT CUSTOMER DRAWING</p>			
DIMENSION UNITS		SCALE					
mm		2:1		CURRENT REV DESC:			
GENERAL TOLERANCES (UNLESS SPECIFIED)		ANGULAR TOL ± °		EC NO: 707726			
4 PLACES ±		±		DRWN: GOOLAM 2021/12/03			
3 PLACES ±		±		CHK'D: MTEUBEL 2022/05/25			
2 PLACES ±		±		APPR: MTEUBEL 2022/05/25			
1 PLACE ±		±		INITIAL REVISION:			
0 PLACES ±		±		DRWN: GOOLAM 2021/12/03			
DRAFT WHERE APPLICABLE MUST REMAIN WITHIN DIMENSIONS		FIRST ANGLE PROJECTION		DRAWING		SERIES	
		A3-SIZE		173109		MATERIAL NUMBER	
		SEE TABLE		GENERAL MARKET		CUSTOMER	
						SHEET NUMBER	
						1 OF 1	