

DR217-4 SERIES RADIAL LEADED INDUCTORS

Features

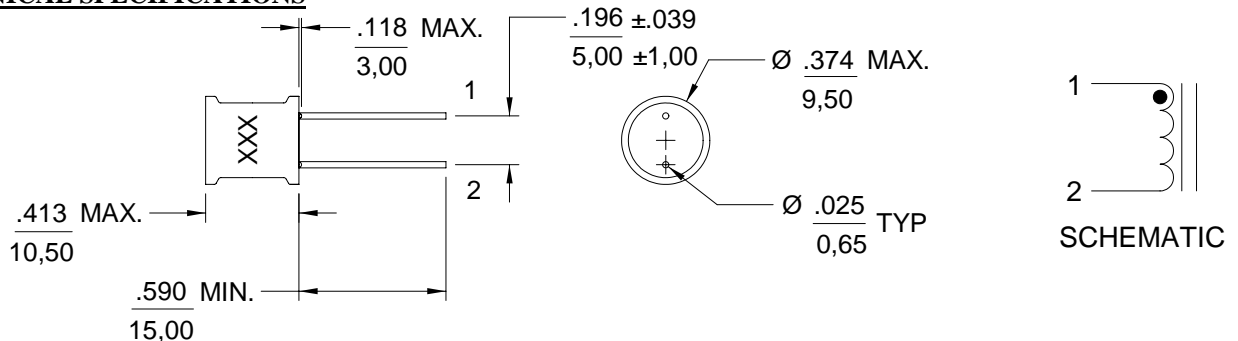
- Designed for EMI Filters & Switching Power Supplies
- Inductance Range from 2.2 μ H to 1500 μ H
- Operating Temp. -20°C to +80°C
- Tinned Leads with Leaded Solder is Available (note 5)



ELECTRICAL SPECIFICATIONS AT 25°C

Part Number	Inductance (uH) @1kHz	Q Min.	Q Test Freq.	SRF (MHz) Ref.	DCR (Ohm) Max.	Rated Current (A) Max. I sat	Rated Current (A) Max. I rms
DR217-4-222	2.2 \pm 20%	10	7.96MHz	60	0.011	5.5	4
DR217-4-332	3.3 \pm 20%	10	7.96MHz	38	0.013	3.8	3.4
DR217-4-472	4.7 \pm 20%	10	7.96MHz	30	0.017	3.7	3
DR217-4-682	6.8 \pm 20%	10	7.96MHz	24	0.023	2.8	2.6
DR217-4-103	10 \pm 10%	20	2.52MHz	19	0.031	2.5	2.2
DR217-4-153	15 \pm 10%	20	2.52MHz	15	0.042	2	1.9
DR217-4-223	22 \pm 10%	20	2.52MHz	12	0.07	1.6	1.5
DR217-4-333	33 \pm 10%	20	2.52MHz	10	0.092	1.3	1.2
DR217-4-473	47 \pm 10%	20	2.52MHz	8.2	0.13	1.1	1
DR217-4-683	68 \pm 10%	20	2.52MHz	6.6	0.16	0.91	0.97
DR217-4-104	100 \pm 10%	15	796kHz	5.4	0.23	0.75	0.81
DR217-4-154	150 \pm 10%	15	796kHz	4.3	0.4	0.61	0.61
DR217-4-224	220 \pm 10%	15	796kHz	3.5	0.53	0.5	0.53
DR217-4-334	330 \pm 10%	15	796kHz	2.8	0.78	0.41	0.44
DR217-4-474	470 \pm 10%	10	796kHz	2.3	1	0.34	0.39
DR217-4-684	680 \pm 10%	10	796kHz	1.9	1.5	0.28	0.32
DR217-4-105	1000 \pm 10%	20	252kHz	1.5	2.2	0.23	0.26
DR217-4-155	1500 \pm 10%	30	252kHz	1.2	3.5	0.18	0.21

MECHANICAL SPECIFICATIONS



NOTES:

1. Dimensions are shown in inches/millimeters
2. Unless otherwise specified, tolerance = Inches: \pm 0.012
= Millimeters: \pm 0,30
3. Isat based on the inductance being 90% of its initial value
4. I rms based on a temperature rise of 20°C
5. For non-RoHS parts replace DR prefix with 42- (e.g. DR217-4 becomes 42-217-4)
6. Terminal finish is compliant to RoHS requirements